

Croft



CROFT TRAILER SUPPLY MAGAZINE

February 2015, Volume 1.

Technology & Trailers

Croft Trailer Supply has joined the social media movement. | pg. 18

Croft Made

Croft Trailer Supply builds trailers to suit their customers unique needs. | pg. 9

Going Green

Download the Croft parts catalog at www.CroftTrailer.com. | pg. 2

**Enter
the CROFT
CONTEST**
pg. 22



Rental Ready at the ARA

Heading to New Orleans for the ARA Show? Stop by Croft's booth #6035.

Now Your One Stop Truck Bed Shop.

With truck beds from 6'4" to 24', Croft has you covered.



All-aluminum truck bed from Aluma makes for a strong, lightweight and rust-free truck bed that will last for years to come.

ALUMA

Style, strength, versatility, durability: CM Truck Beds have it all. CM continuously researches the latest styles of Dodge, Ford, GMC, and Chevy pickup trucks so you can be sure your new truck bed complements your ride.

CM
TRUCK BEDS



CM Truck Beds
Equipped With

B&W TRAILER
HITCHES



www.CroftTrailer.com • (800) 426-8159

14 & 24 Learn about Croft's selection of horse trailers.



Seventy-six year old family run company, Croft Trailer Supply, has taken on a new approach to helping their customers choose trailers, parts and supplies with the launch of their new magazine *CTS*.

3

EXPO THROWBACK

A look back at last year's trade shows and expos. Featuring the ARA Show, the Wide Open Motorcycle Expo & more.

18

FIND IT ONLINE

Keeping people up to date on trends and new products in the world of trailers. Explore Croft in all new ways with social media.

9

CROFT MADE

Read how building safe, reliable towing products to fit specific equipment and cargo needs is one of Croft's many passions.

20

NEED FOR SPEED

An inside look at racecar driver and Croft employee, Joe Bunkers.

22

WHAT DO YOU DO WITH YOUR CROFT?

Amateur dirt bike racer, Justin Kistner, uses his Croft supplies to get an edge over other racers.

28

CROFT SERVICE CENTERS

Croft makes buying or repairing trailers easy with service centers in Kansas and Missouri. Help is available online at Croft locations or by phone.

INSIDECROFT

Check out what's new and upcoming with Croft Trailer Supply.

| | |
|--------------------|-----------|
| Aluma Trailers | 4 |
| B-B Trailers | 6 |
| Big Tex Trailers | 12 |
| CM Trailers | 14 |
| Croft Trailers | 16 |
| Sundowner Trailers | 24 |
| Sure-Trac Trailers | 26 |

Have ideas, questions or want to be featured in the next *CTS* magazine? Contact the Croft Trailer Supply marketing department at (800) 426-8159.

TrailerTalk



As Croft Trailer Supply moves into its 76th year, it does so as a company dedicated to service. We carry a wide selection of products to repair, replace or customize almost any trailer.

Over the years the Croft family has grown to include five retail locations, one centrally located distribution hub, an e-commerce website and social media.

At Croft Trailer Supply, we take pride in our family of vendors and customers, some of whom have been with us for over 60 years. We would like to thank

you for your business. We could never have come this far without you. To our family of

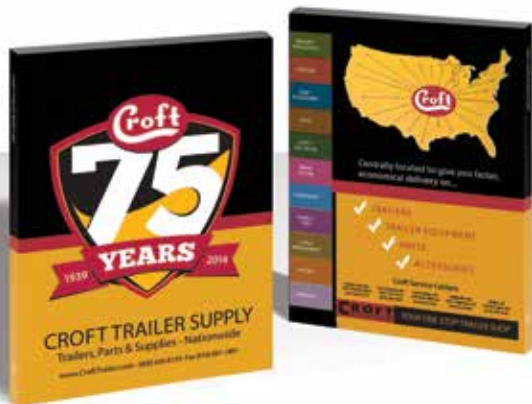
employees who “roll up their sleeves and go to work” each day to provide our customers with the trailers and parts they need, we thank you with all our hearts.



It's been a busy year bringing on new vendors and learning about new trailers and parts. Watch for more exciting changes throughout 2015.

Sandy Jones-Allen
CEO, Croft Trailer Supply

Where's My Croft Catalog?



This year Croft Trailer Supply has gone green. The Croft parts catalog is available for viewing online as a digital download. For updates or to download your copy of the Croft parts catalog go to www.CroftTrailer.com.

Croft Trailer Supply, Inc.
4320 Clary Blvd. Kansas City,
Missouri 64130
P.O. Box 300320 Kansas City,
Missouri 64130-0320
P: (800) 426-8159
F: (816) 861-1881
Web: www.CroftTrailer.com
Facebook - Croft Trailer Supply
Twitter - @crofttrailer
YouTube - Croft Trailer Supply

DESIGN TEAM

Editors

Sandy Jones-Allen
Larry Allen
Susan McGinn-Adolphsen
Jamie Hutchins
Misti Hutchins
Tim Oligmueller

Creative Director

Katy O'Neill Boothe

Design Team

Justine Reece
Nicole Sylvester

Technical Director

Ashley Mitchell

Photographer

Katy O'Neill Boothe

Contributors

Bill Heineken, Randy Banta,
Michael Hudspeth, Kyle Kelley

Advertising

Croft Trailer Supply, Aluma,
B-B Trailers, Big Tex Trailers, CM
Trailers, Sure-Trac, Sundowner
Trailers, NoRamp

Disclaimer

CTS Magazine was published at 4320 Clary Blvd., Kansas City, MO 64130. CroftTrailer.com, (800) 426-8159. All content copyright ©2015 by Croft Trailer Supply, Inc. All rights reserved. Articles are published for general informational purposes only. Any particular investment should be analyzed based on its risks and terms as they relate to your individual circumstances.



Kansas City Sport & Boat Show

NEXT SHOW/ January 22-25, 2015 | Bartle Hall, MO
Booth: M30



The Rental Show

NEXT SHOW/ February 22-25, 2015 | New Orleans, LA - Booth 6035



True Value Show

NEXT SHOW/ March 7-8, 2015 | Dallas, TX



Wide Open Motorcycle Show



Every year Croft Trailer Supply showcases its wide variety of trailers, parts, & supplies at trade shows and expos. Last year Croft introduced the ability to "Plug into Croft" with live social media events and the introduction of our advancing technologies.

In this section we review what is new & upcoming from Croft Trailer Supply's manufacturers. Everything from trailers to trailer parts and supplies.

Section Breakdown:

| | |
|--------------------|----|
| Aluma Trailers | 4 |
| B-B Trailers | 6 |
| Big Tex Trailers | 12 |
| CM Trailers | 14 |
| Croft Trailers | 16 |
| Sundowner Trailers | 24 |
| Sure-Trac Trailers | 26 |

The Aluminum **IMPACT**

How do you make a strong, durable trailer while also being lightweight? Create it with aluminum. An aluminum trailer is ideal for consumers looking for a maintenance-free option, as they are rust-free. Every single trailer produced by Aluma is manufactured using all aluminum welded construction right here in the USA. If all of the benefits of an Aluma trailer still aren't enough to convince you, they also offer a 5-year warranty

on all of their trailers, one of best in the industry.

Aluma makes a trailer for almost any need, from utility and ATV trailers, car and motorcycle haulers, enclosed trailers, watercraft trailers, snowmobile trailers to truck beds. With over 60 different models of open utility and enclosed cargo trailers, Croft can provide you with the trailer that suits your needs with ease.



With numerous sizes available, Aluma has the perfect sized trailer for any job.



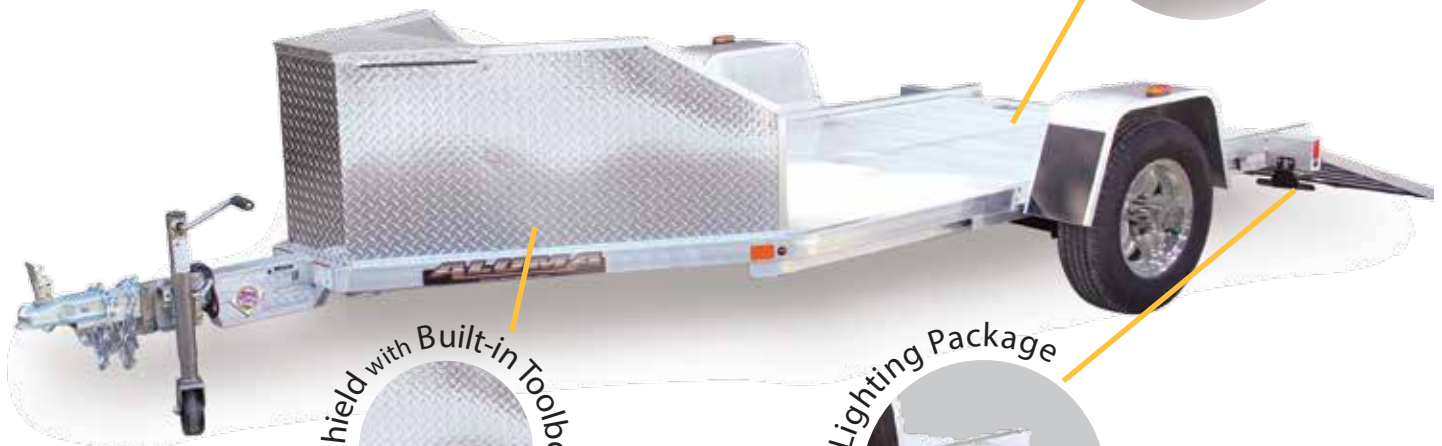


Trike Trailer

Featured Trailer

- 3000 lb Rubber torsion axle - No brakes - Easy lube hubs
- ST205/75R14 LRC Carlisle radial tires (1760 lb cap/tire)
- Lynx aluminum wheels, 5 on 4.5 EZ Lube hubs
- Four stainless steel recessed tie-down loops
- Aluminum ramp with storage underneath (57" x 45.5")
- Front triangle storage box with lid
- Aluminum fenders
- Overall width = 86"

Extruded Aluminum Floor



Shield with Built-in Toolbox



LED Lighting Package



Aluma Products

- single axle utilities
- single heavy axle utilities
- tandem axle utilities
- ATV trailers
- motorcycle trailers
- watercraft trailers
- snowmobile trailers
- truck beds
- enclosed trailers single axle
- enclosed trailers single axle sport package
- enclosed trailers tandem axle
- enclosed trailers tandem axle sport package
- enclosed trailers tandem axle car hauler
- enclosed trailers tandem axle recreation

All-aluminum truck bed from Aluma makes for a strong, lightweight and rust-free truck bed that will last for years to come.



Right-Pulltype Flatbed Trailer

Far Right-Center Flip-up Beavertail Flatbed Trailer



Big Jobs Made **EASY** with B-B Trailers.



B-B Angle Frame Equipment Trailer

Bringing on B-B Trailers

B-B Trailers are manufactured for the industrial and agricultural markets. All products that carry the B-B Trailer logo come complete with a durable powder coat finish and a one year factory warranty. Since 1987 B-B Trailers has provided its customers with superior service and quality trailers.

Powder Coat Finish

Trailers are carefully prepped, bead blasted and phosphatized prior to powder coating. Powder is applied electrostatically and baked on for a durable finish. Powder coating greatly improves the look and the life of your trailer.

Featuring the B-B Angle Frame Equipment Trailer (above)

| | |
|------------|--|
| Lengths | 12', 14', 16', 18', 20', 22' and 24' |
| Bed Width | 81" |
| Frame | 4" x 7" x 3/8" angle |
| Front Rail | 2" x 2" x 3/16" angle |
| Hitch | 2 5/16" Adjustable ball or pintle |
| Axles | Two 8,000 lb oil bath with slipper springs, and electric brakes (both axles) |

For more information about trailers, parts and supplies call Croft at (800) 426-8159.

B-B Drop Down Trailers

For ease in loading and dependability, this trailer offers it all!

| | |
|------------------|---|
| Model | 12' and 14' bed lengths |
| Bed Width | 76" |
| Between Fenders | |
| Beavertail | 18" |
| Frame | 2" x 3" tube frame, crossmembers 16" on center |
| Sides | 3/16" Sheet metal; 2' tall |
| Floor | 3/16" Heavy duty diamond plate |
| Spindles | Two 4,000 lb spindles |
| Brake | Electric, both axles |
| Suspension | Air ride |
| Hitch | 2 5/16" adjustable coupler |
| Tire & Wheel | Two 215/75R17.5 load range H tire with OEM wheels |
| Jack | One 7,000 lb heavy duty dropleg jack |
| D-Rings | Eight evenly spaced throughout bed |
| Ground Clearance | 12" |
| Power Unit: | MTE 12-volt power up and down pump |



With the B-B Drop Down trailer, load your cargo with ease and efficiency. This sturdy trailer puts safety first by lowering to eliminate heavy ramps.



Croft is attending the ARA Rental Show for the 57th year.

New Orleans, February 22 - 25
Booth 6035



Get a *sneak peek* at the NEW Croft show trailer in New Orleans.



www.CroftTrailer.com
Visit our website during the show for online specials.

Need a Trailer Loan?

Apply Today!

The opportunity to own a trailer is now easier than ever.

We have teamed up with financial partners to provide financing for powerful equipment. Financing over \$12 billion in consumer and commercial retail loans, our partners will help you take advantage of an innovative combination of financing products, provide friendly and timely service and quick credit decisions unmatched in the industry.

*Rates and terms may vary with market conditions and are subject to change.



Financing Now Available
APR rates starting at

5.99% for 24 months

On the spot approval

Call for details (800) 426-8159



CROFT MADE

Photos: Kyle Kelley

Building safe, reliable towing products to fit specific equipment and cargo needs is one of our many passions.

Whether collaborating with large companies using the latest 3D CAD software or upgrading a single customer's trailer, Croft

can make a trailer to suit any customer's needs. We employ a team of dedicated, skilled craftsmen to take any project from start to finish.

OEM Markets

Croft Trailer Supply has been designing and manufacturing for the OEM market for decades. OEM stands for Original Equipment Manufacturer, a term used when

one company makes a product that another company uses in their end product. For Croft, making OEM products has given us the opportunity to work with many great companies over the years. We have crafted custom designed trailers for generators, air compressors and water pumps. When it involves a trailer, Croft can build it!



Croft provides numerous services for our OEM clients, including consulting, quoting, manufacturing, finishing, assembly and packaging. Our team of dedicated, skilled craftsmen take projects from concept to completion with an emphasis on attention to detail while working efficiently. Croft doesn't stop after completing the manufacturing process. We also

offer packaging and marketing to deliver a complete product to our clients.



Revolutionary *NoRamp*

The revolution is *here*.

With the push of a button these trailers drop to the ground so you can load any cargo without the use of heavy ramps.



See us at the Croft Trailer Supply booth at the ARA Show February 22-25, 2015 in New Orleans, Booth 6035.



Specializing in custom designed trailers for...

- generators
- air compressors
- water pumps
- and many more



Custom Creations

Croft doesn't just create custom pieces for the OEM market, we also offer custom fabrication to all our customers. Whether you just need to add extra D-rings or want a new trailer designed from scratch, Croft can make it happen.



Build your business with Croft built trailers.

Look no further than Croft's custom trailer team to turn your ideas into a rental tough reality. Croft custom built trailers have durable dependable components and quality craftsmanship you've come to expect from a leader in the trailer and towing industry. Safety and security is as important to Croft as it is to our customers. All Croft trailers are designed and built to meet or exceed the National Association of Trailer Manufacturer's guidelines.

At Croft Trailer Supply not only do we build and customize our trailers, we can build and customize your trailer too. Have an idea? Let us help you make it a reality. From remodel to complete construction, Croft is the partner you can trust. The possibilities are endless.

Call Croft's helpful customer service at (800) 426-8159 to find out how to get started on a path towards your dream trailer.

For more information take a look at our website, www.CroftTrailer.com.

Croft Trailer Supply's line of open box utility trailers are built for the rental/commercial industry, but have since become a favorite amongst consumers as well. As with most Croft trailers, a designed purpose is at the heart of this line. We built a trailer tough enough to withstand the harsh use of the rental industry and the style to appeal to all users. The Croft open box utility trailer line offers versatility with low ground clearance for easy loading and unloading of equipment and cargo.





Croft Trailer Supply always has Big Tex trailers on the store lots.



Big Tex Trailers

takes pride in engineering trailers that are strong and stable.

The frames are designed with framing fixtures to ensure maximum symmetry and proper alignment, resulting in an outstanding towing experience. The longevity of Big Tex Trailers is attributed to the heavy gauge - low carbon, high alloyed steel used to absorb flex and help prevent trailer twist & steel fatigue. From small single axle utility trailers to heavy-duty equipment haulers, Big Tex Trailers offers a diverse selection of products for consumers.



Single Axle Vanguard Trailer

Standard Features

- Safety chains attached with cold rolled eyelets
- Sand foot on jack
- Lower jack support plate
- 29³/₈" tall 16 ga. sides with 24"V-crimped steel panels
- 4 Tie down loops inside bed
- Top rail capped with self sealing plugs
- Floor secured with torx screws
- 3,500 lb EZ lube axle with brake flanges for easy brake addition
- Grommet mount sealed LED lighting

Available Sizes...

Model #30sv-08
60" x 8' 870 lbs

Model #30sv-10
60" x 10' 970 lbs

Model #35sv-12
77" x 12' 1,290 lbs

Model #30sv-12
60" x 12' 1,070 lbs

Model #35sv-10
77" x 10' 1,100 lbs



NOW AVAILABLE AT
CROFT

B&W Gooseneck Turnover
Ball Hitch



B&W TRAILER HITCHES

www.CroftTrailer.com



FEATURES

- Safety chains attached with cold rolled eyelets
- Modular sealed wiring harness
- Low profile bed, pierced frame
- 28' (Flat deck) and longer include torque tube
- Safety reflective marker tape
- Heavy duty oil bath axles with electric brakes
- 1 1/4" Pipe chain spools between stake pockets (on gooseneck)
- Complete break-a-way system with battery and charger
- 5' Dove tail with double hinged spring assist fold over ramps



CM Trailers

Do you need both a straight load and slant load trailer? A new horse trailer is the perfect solution! CM Horse Trailers are extremely accommodating. From different loading styles (slant load, straight load, walk-thru, ramps) to pulls (bumper pull, gooseneck), to sizes (different widths, heights, lengths), and to a

range of investment levels, you're sure to find the trailer you are looking for.

Croft Trailer Supply can get you the exact CM trailer that you need. Customer service is standing by to help you, call (800) 426-8159.

CUSTOMIZING CM Trailers



When getting ready for the 2014 trade shows and expos, the Croft team transformed an 18', V-Nose, steel CM trailer into an interactive show trailer. Featuring built-in shelving, metal mesh to hang

CM Aluminum Horse Trailers

CM carries a full line of aluminum exterior horse trailers that features eye-catching looks and high dependability. The trailers are durable, versatile,

and user friendly with a long list of design hardware and equipment that makes it stand out from the crowd.



Dakota AL-V
Economically priced aluminum slant load bumper pull horse trailer.



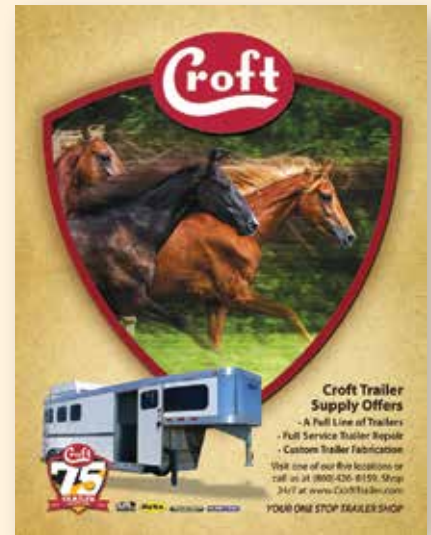
Nomad BP
Aluminum slant load bumper pull horse trailer with wedge nose.



Nomad GN
All aluminum gooseneck horse trailer which combines premium features and economy pricing.



tools, inside lighting with electrical outlets to run the large screen TV and tablets displaying live social media feeds.



Horse Shows

Croft Trailer Supply is a proud sponsor of many local horse shows and events.

Rental Tough



Let Croft help you add horse trailers to your rental business.

www.CroftTrailer.com
(800) 426-8159



FREE SHIPPING

on all Croft tow dollies*

*Exclusions apply - free shipping applies to commercial addresses in the 48 contiguous states.



Features Torsion Axle Tow Dolly

- Tilt-bed galvanized steel frame
- Heavy duty positive grip low profile ramps
- 3 Point bonnet straps (permanent or removable) included
- Strap ratchets included
- Sealed hubs with no lubrication required, 3 year warranty
- Automatic lockdown when loading
- Independent torsion suspension for smooth, safe towing

From Work, to Play and Everyday



Powder Coat Finish

Your finish is only as good as your prep – All Croft trailers are media blasted to bare “white” metal before being acid etched, phosphate washed and baked with a high gloss Sherwin Williams’ powder.



Running Gear

Croft is partnered with industry leader Dexter for spring and torsion axle undercarriages. All Croft-built trailers are supplied with trailer rated radial tires and white powder coated wheels.



Electrical System

Worry free electrical system – Croft trailer’s wiring is run through steel conduit and all connections are made using adhesive filled heat shrink connectors. Lighting is DOT approved shock mounted sealed lights.

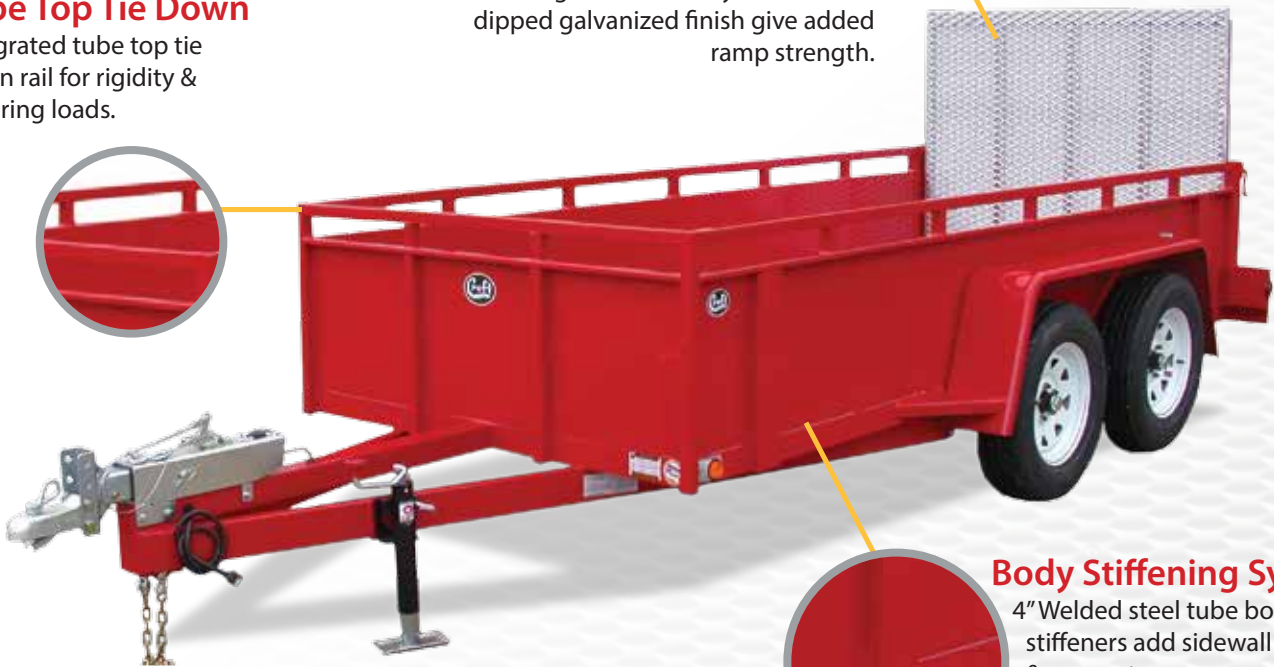
Rental Tough

Tube Top Tie Down

Integrated tube top tie down rail for rigidity & securing loads.

Galvanized Removable Ramp Gate

Full length rear stability bar and hot dipped galvanized finish give added ramp strength.



Body Stiffening System

4” welded steel tube body stiffeners add sidewall stability & support.





Stepping into a new age with Croft.

Croft Trailer Supply can now be found on Facebook, Twitter and YouTube keeping you in the know about the latest industry news and sales. Subscribe to our email newsletter to receive exclusive deals on parts and trailers. If you aren't on social media, Croft has a top notch website to keep you connected. We are dedicated to making our site the best tool available for finding the parts you need. We add and edit content on a daily basis. With over 6,000 products, more people are visiting CroftTrailer.com than ever before. If you have any questions or comments, post them to Facebook or Twitter or send us an email. We're ready and waiting to help with your trailer needs.

Sources: www.CroftTrailer.com
| www.facebook.com |



Subscribe to the newsletter on our website.



Croft Trailer Supply



@crofttrailer



Croft Trailer Supply

www.CroftTrailer.com



Charities

Giving back to our community is important for the Croft family. Over the past year, we have been able to donate to the March of Dimes, Walk to End Alzheimer's and the Shriners International. We are proud to be able to support these worthy charities as they help support and strengthen families through tough times.

Story: Justine Reece Photos: Croft employees Sources: www.marchofdimes.org | www.alz.org | www.araratshrine.com



March of Dimes

One of our employees, Debi and "Team Stephens" participated in a 2-mile trek last May for the March of Dimes. March of Dimes aims to research problems that threaten babies, help mothers have a healthy pregnancy and assist families if health issues arise. Croft was pleased to be able to back "Team Stephens" and help the March of Dimes reach more families in need. Learn more about the March of Dimes and how you can help at www.marchofdimes.org.

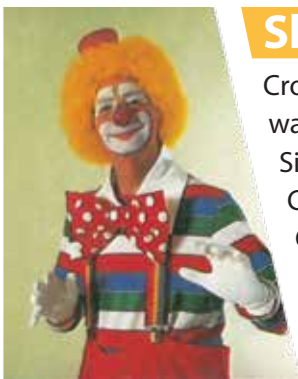
Walk to End Alzheimer's

In early October, a Walk to End Alzheimer's was held in Kansas City to raise money for the Alzheimer's Association. They provide care and support, advance research and advocate to make Alzheimer's a national priority. Alzheimer's can be devastating to entire families, which is why Croft is honored to help promote this worthy cause. Please visit www.alz.org for more info on the Alzheimer's Association.



Shriners International

Croft has been supporting the Shriners since the company's beginning. Founder George Croft was a member of the Ararat Shriners, the Kansas City chapter of the Shriners International. Since then multiple generations of the Croft family have been members of this fraternity. Croft contributes every year to the Shriners official charity, the Shriners Hospitals for Children. The hospitals provide care for children in need, regardless of a patient's ability to pay. By providing pediatric care, innovative research and medical teaching programs, the Shriners Hospitals are a blessing for many families. Visit www.araratshrine.com/hospitals/ for more information about the hospitals.



BUSINESS
2 BUSINESS

One of Croft's oldest business partners, Peterson Manufacturing Company, marks 2015 as its 70th year in business. Peterson is known for its innovative vehicle safety lighting. In fact, they are known as one of America's top three safety lighting manufacturers. They do this by manufacturing every product to the highest standards at their state-of-the-art headquarters in Grandview, Missouri. Peterson has been recognized for their outstanding products by becoming the first North American lighting manufacturer to receive ISO 9001/QS-9000 certification. They have also been awarded Caterpillar's Supplier Quality Excellence award two years in a row. It's no wonder that Peterson has grown into a quarter-billion-dollar corporation that serves customers worldwide.

THE NEED FOR SPEED

Ever since he was a kid, Joe Bunkers wanted to be a racecar driver. As soon as he was able, Joe built his own car and started racing. He has been competing for over 5 years now in Lebanon, Missouri. Currently he drives the #10 car at I-44 Speedway in the Modifieds division.

Croft couldn't pass on the chance to support Joe, who has been part of the Croft family for three years. We are proud to sponsor him and help Joe live his dreams.

Go to I-44 Speedway and show your support for Joe starting April 2015. Croft Trailer Supply wishes him the best of luck in the new season.



When Joe Bunkers is off the clock from Croft, the best place to find him is on the racetrack.

Story: Justine Reece Photos: Provided by Joe Bunkers



www.CroftTrailer.com

-  Croft Trailer Supply
-  @crofttrailer
-  Croft Trailer Supply

America's **BEST** selling 
Commercial Grade Trailers



Big Tex Trailers has a reputation that people recognize for quality. Our customers can rest easy knowing that their new trailer will hold its value for years to come!

ALUMA
Quality Behind You for Over 20 Years!



ALUMINUM CONSTRUCTION IS DURABLE & CORROSION RESISTANT.



GREAT STANDARD FEATURES AND MANY OPTIONS MAKE ALUMA TRAILERS A SOLID INVESTMENT.



ALUMA TRAILERS ARE LIGHTWEIGHT & MAINTENANCE FREE.



WITH OVER 60 MODELS TO CHOOSE FROM, THERE'S AN ALUMA TRAILER FOR ANY NEED.

Croft Trailer Supply
www.CroftTrailer.com
(800) 426-8159




WHAT DO YOU DO WITH YOUR *CROFT*



Enter
the **CROFT**
CONTEST

When your passion requires loading up hundreds of pounds of bikes and gear having a reliable trailer is a priority.

Story & Photos: Katy O'Neill-Boothe Sources: Justin Kistner, www.dragoonmotocross.com

A amateur motocross racer, Justin Kistner, relies on his trailer to get his Honda CR250R and CR125R to the Dragoon Creek Motocross Park in Lyndon, KS for practice. Since Kistner was a boy, he has been intrigued by motorcycles and dirt bikes. "They fascinate me," Justin stated when asked about dirt bikes. "Riding is a release for me. You don't think about anything other than riding." Kistner says his two main goals are to avoid crashing and not to finish in last place. Justin is not worried about winning; the thrill of competition is one more reason he enjoys racing. This year Dragoon Creek Motocross Park has races starting in March and continue through November.

Justin and his family are no strangers to trailers. The family owns a transport company. They use

multiple trailers to transport general freight, building materials, grain and feed hay.

Without the essentials like wheel chocks, ratchet tie-downs, ramps and more, it would be tough to



safely get to wherever your journey is taking you. These journeys, these adventures are what we at Croft want to experience with you. Send us pictures of your time on and off the road.

Share your adventures online with Croft Trailer Supply and **WIN**

Join us in showcasing the adventures you have using your Croft trailer.

1. Submit your trailer pictures and a brief description of your trailer on our Facebook or Twitter page to enter into our contest. If you do not have a social media account, you may email us your photo at media@CroftTrailer.com.

2. Winners will be chosen monthly at random. Winners will receive \$25 in Croft Bucks valid

towards the purchase of parts at any one of our five locations or online. Croft Bucks will be mailed to the winner's address.



3. Must be 18 or older to participate. Content must be appropriate (No profanity, nudity or vulgar images). Croft Bucks can NOT be exchanged for cash. Please note: by participating in this contest, you grant Croft the right to use the submissions for promotional purposes without any additional permission or compensation. Only one (1) prize given per household for any 180 day period.

Justin Kistner has spent countless hours practicing and racing over the last few years. In the photo above, Justin watches techniques of some of the riders practicing on the track.



Lock-N-Load™ Chock with Tie Down



3 Pack Keyed Alike Coiled Locks



Ratchet Tie-down Straps

Croft Trailer Supply has over 6,000 parts and supplies for any job or hobby you may have. Croft ships nationwide & will do what it takes to get the job done. For more information on products seen in this magazine, call (800) 426-8159.



Custom crafted steel motorcycle trailers are built to last at Croft Trailer Supply.

www.CroftTrailer.com • (800) 426-8159

The Ride of your life starts with Croft



STYLE and CLASS with Sundowner Trailers

Travel In Luxury with Croft and Sundowner.

Whether it's to a trail ride or the show arena, Sundowner trailers are being pulled in all directions. That's because there's a Sundowner trailer designed to meet the needs of every family, entry-level or professional horseman. From bumper pulls to deluxe living quarters to trainer trailers, each Sundowner is built with unique features and options to meet specific customer needs.

Sundowner continues to "raise the bar" with innovative features, exceptional workmanship, and attention to detail and safety. As the premier manufacturer of horse and livestock trailers, Sundowner offers uncompromising value, ease of maintenance, customized designs and a broad dealer network with first-rate customer service. Sundowner's unsurpassed, "single source" three-year hitch-to-bumper/eight year structural warranty really says it all.

Living Quarters Available in all Cargo & Livestock models



Above: The Rancher Special
The Rancher Special is an all new gooseneck stock/combo trailer that is available in a 3, 4 or 6 horse.



The Stockman
The new Stockman Special is an all aluminum horse/stock combo designed for versatility.



Cargo Gooseneck
Sundowner offers light weight and durable trailers to meet a variety of cargo hauling needs.



Cargo Bumper Pulls
All aluminum construction and eye appeal set Sundowner cargo trailers apart from the pack. Available in bumper pulls or goosenecks with endless options.



SANTA FE Super Sport

This all aluminum trailer is lightweight for towing ease and fuel economy. Available in 2, 3 or 4 horse models.



Above: living quarters range from cozy to loaded custom trailers. Let Croft Trailer Supply put you in the trailer of your dreams.

Sundowner Living Quarters:
 Santa Fe
 Horizon
 Special Edition
 Limited Edition



Santa Fe Sleeping Quarters



Santa Fe Cozy Kitchen



Santa Fe Bathroom & Shower

Three Year
Hitch to Bumper

Eight Year
Structural Warranty



SURE-TRAC

Sure-Trac puts their trailers through stringent tests before they call them complete. These trailers undergo six verified & documented quality inspections. Sure-Trac offers a wide range of trailers including heavy duty equipment, small homeowner utilities, enclosed, large gooseneck and



much more. Sure-Trac provides a very comprehensive custom trailer manufacturing process regarded very highly in the trailer industry. All custom made trailers are engineered, hand built & custom finished to your specifications. Let Croft help you find your trailer.



Custom Needs? We Can Fill Them!

Sure-Trac's Galvanized Tilt Bed Trailers



Shown with optional galvanized steel high side kit, spare tire, and galvanized rims.





Sure-Trac uses their exclusive steel prep technology before building any trailer. All steel that is used in the construction of their trailers is free from deformities and corrosion before the build process. Sure-Trac uses a dry paint that is t bonded to the steel to give it a wet paint finish tougher than the conventional finish. This dry paint is used on nearly all of their trailers.



Scissor Hoist Dump Trailer

Featuring:

- 45 degree dump angle
- Deep cycle marine grade battery
 - Four D-ring tie-downs
 - 7-Way RV style electrical plug
- Welded tubular steel main frame

For more information visit
www.CroftTrailer.com

Tube Top Angle Tandem Axle Trailer

Featuring:

- 2'x6' pressure treated decking
- Powder coat finish
- 2'x2' heavy tube top rail for structural rigidity
- Bead blasted, iron phosphate wash steel prep
- Fold flat/spring assist gate



- Self-retained gate pins
- Tube uprights
- Fenders with backers
- Wiring enclosed in tubular steel
- Board retainers front and rear
- Reinforced set back jack

Croft Service Centers

Croft Trailer Supply is dedicated to providing their customers with exactly what they need with quality fabrication, repairs and services. A great place to get hitched, since 1939.



Olathe, KS - 970 N Rogers Rd
(913) 780-1818



Smithville, MO - 632 S 169 Hwy
(816) 532-8900



Kansas City, MO - 4933 Truman Rd
(816) 483-7274



Lee's Summit, MO - 2401 S 291 Hwy
(816) 525-9355



Grain Valley, MO - 1350 NW Jefferson
(816) 847-0555

Need your trailer serviced? Croft Trailer Supply is dedicated to keeping your trailer in good working condition and on the road.

Bring your trailer to any one of our 5 service locations for repairs or inspection. Walk-ins are always welcome or you can call and set up an appointment. Our friendly and knowledgeable staff is ready to help you.

(800) 426-8159

Fax (816) 861-1881



Build Your *Rental Ready* Trailer Package



Have your trailer factory equipped with Croft's heavy duty and versatile rental packages. Let our customer service assist you in building your next rental ready trailer.



Utility Trailers



Gooseneck Implement Trailers

Tow Dollies



Tilt Trailers



Enclosed Trailers



Demco

Doing Our Best to Provide You the Best



Croft is your exclusive distributor of the full line of Demco towing products for the rental industry.

Croft Trailer Supply • (800) 426-8159
www.CroftTrailer.com

FREE

Shipping

on Croft Tow Dollies.*

Croft Tow Dollies are built to meet the rigorous demands of heavy use, constructed of galvanized steel for strength and durability.



Your One Stop Trailer Shop

*Exclusions apply - free shipping applies to commercial addresses in the 48 contiguous states.



CROFT

TRAILER SUPPLY



Your One Stop Trailer Shop
Over 6,000 Parts, 6 Locations, 24/7 Shopping Online

Over 75 years of experience and service has made us your hometown trailer company.

Call (800) 426-8159 or go to www.CroftTrailer.com.

