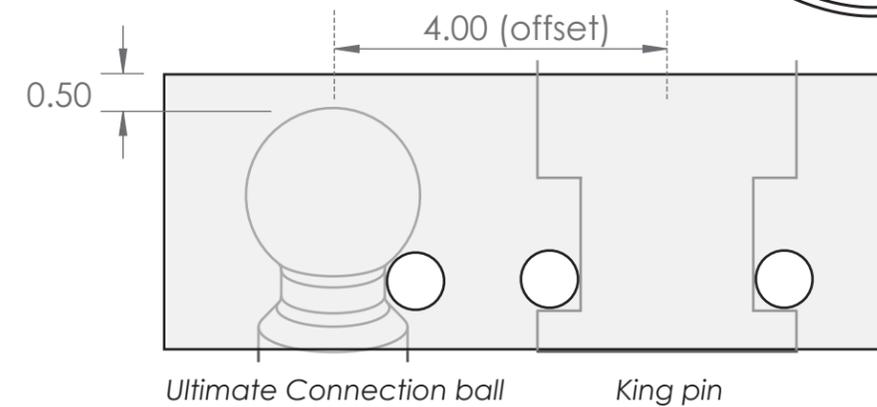
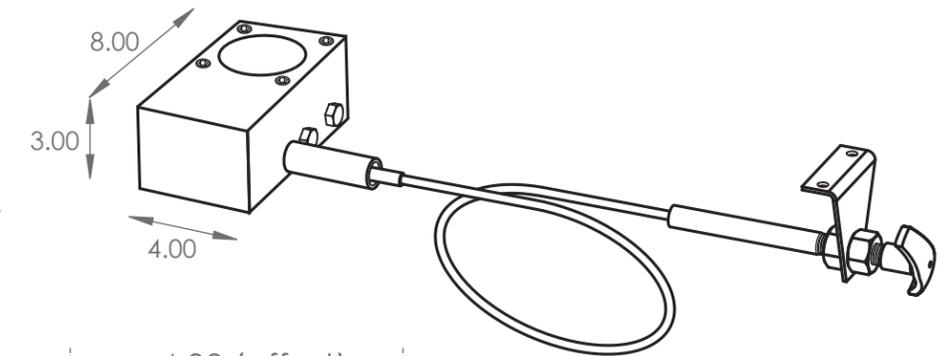


Kingpin Coupler Block



		UNLESS OTHERWISE SPECIFIED:		NAME	DATE	PART #: 3220	
		DIMENSIONS ARE IN INCHES		DRAWN	AP	4-21-16	TITLE:
		TOLERANCES:		CHECKED			ALUMINUM ULTIMATE CONNECTION 2
		FRACTIONAL: ±		ENG APPR.			
		ANGULAR: MACH ± BEND ±		MFG APPR.			SIZE DWG. NO. REV
		TWO PLACE DECIMAL ±		Q.A.			B
		THREE PLACE DECIMAL ±		COMMENTS:			
		INTERPRET GEOMETRIC TOLERANCING PER:					WEIGHT:
		MATERIAL					SHEET 1 OF 1
NEXT ASSY	USED ON	FINISH					
APPLICATION		DO NOT SCALE DRAWING					