

Ultimate 5th Wheel Connection Gooseneck Mount



Parts 3220, 3225, 3221 Gooseneck Mount, 24,000 lbs GTWR - 4,500 lbs Tongue

INSTALLATION MANUAL



ANDERSEN 
andersenhitches.com

Table of Contents

Important Safety Information	Page 2
Parts Illustration	Page 3
Popular Add-ons for your Ultimate Connection	Page 3
Section 1: Preparation	Page 4
Section 2: Installing the Kingpin Coupler Block	Page 4
Section 3: Attaching the Remote Latch Cable	Page 5
Section 4: Installing the Base Unit	Page 6
Section 5: Removing the Base Unit	Page 6
Warranty Information	Page 7

Want to see a video of the install?



Use your SmartPhone to scan the QR Code above and to go to our Installation Videos on the web.

www.AndersenHitches.com
Customer Service: 1-800-635-6106
customerservice@anderseninc.com

NOTE:
THERE IS NEVER A NEED TO
GREASE BALL OR COUPLER

Thank you for choosing the Ultimate 5th Wheel Connection! This indispensable product adapts a kingpin style 5th wheel trailer's pin box so it can attach to the raised 2-5/16" ball hitch – giving you a smooth, solid and safe driving experience. The Ultimate 5th Wheel Connection can be installed in a short amount of time with only a few tools.

If you happen to lose or damage any of your Ultimate 5th Wheel Connection parts, please visit your local Authorized Andersen Dealer or go to our website at www.AndersenHitches.com for replacements.

Note: The Gooseneck ball and under bed system is NOT INCLUDED in this package. Please refer to the manufacturer's instructions regarding installation and use of your gooseneck system.

IMPORTANT SAFETY INFORMATION

Read the entire manual before towing a 5th wheel trailer using the Ultimate 5th Wheel Connection. Before each trip –and regularly during a trip– check all hardware, bolts and nuts for wear and fatigue. Make sure that they are all properly tightened and that all pins and clips are secured in place. Make sure that you have enough clearance for your pin box so that it does not hit your truck when turning.

When turning sharply or reversing at an angle in your tow vehicle, be very aware of the front corners and nose of your trailer so they do not hit the windows or cab of your tow vehicle. Each trailer is unique so be sure to watch its position in a sharp turn.

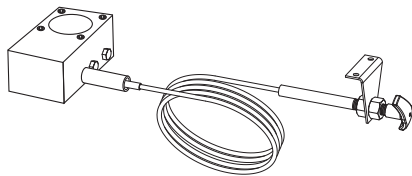
WARNING

Failure to follow all safety warnings could result in severe injury or even death.

Make sure to read and understand all of the instructions of your trailer, tow vehicle, and hitching equipment. Also, follow all safety warnings, setup instructions, and maintenance before installing your hitch.

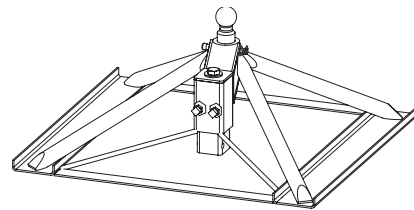
Before towing, make sure the kingpin coupler is coupled properly to the kingpin as well as the Ultimate 5th Wheel Connection ball –and secured in place using the remote latch.

POPULAR ADD-ONS for your ULTIMATE 5th WHEEL CONNECTION



#3231 Kingpin Coupler

Do you have more than one 5th Wheel? No problem! Add a Kingpin Coupler to your other trailer(s) for fast and easy hook-ups!



Ultimate Base Assembly

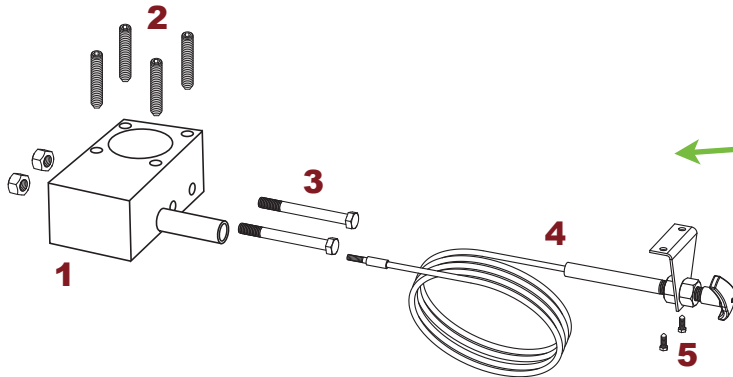
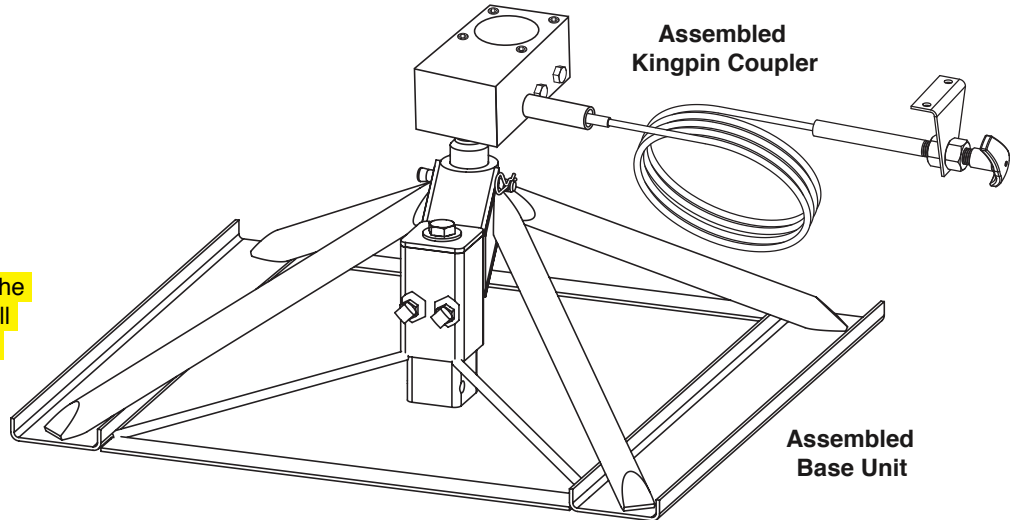
Do you use more than one vehicle for towing? No problem! Add an Ultimate Base Assembly to your other truck(s) for fast and easy hook-ups!

PARTS ILLUSTRATION – ULTIMATE 5TH WHEEL CONNECTION, GOOSENECK MOUNT

The complete 3220, 3225 and 3221 assemblies includes all items listed on this page. The 3220 & 3225 assemblies are used for most standard truck installations. The 3221 is a shorter version of the 3220 and is intended **ONLY** for flat-bed truck installations where the gooseneck ball is recessed below the bed.



NOTE: As of May 2016, all models of the Ultimate Connection feature the new ball funnel (Part #3244, shown above) even though it's not featured in most of the pictures throughout the manual.

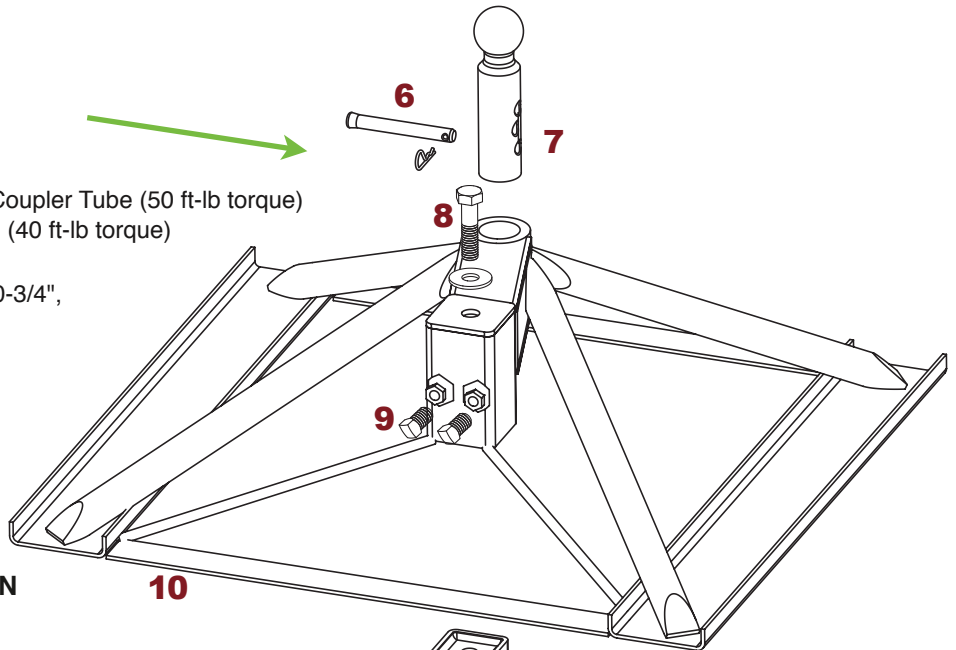


Kingpin Coupler Assembly #3231

1. Kingpin coupler block (greaseless) #3233
2. Kingpin coupler set screws (4 pcs) (40 ft-lb torque)
3. 5/8" x 5" Kingpin coupler bolts with nuts (2 pcs)
4. Remote latch cable #3204
5. 5/16" Self-tapping screws for remote latch handle

Base Assembly

6. Pin with clip (2 sets)
7. Ultimate Ball (2-5/16") #3201
8. 5/8" x 3" top-bolt & washer for square Coupler Tube (50 ft-lb torque)
9. Square coupler tube set screws (2 pcs) (40 ft-lb torque)
10. Base only (unassembled)
11. Square Coupler Tube (7-1/2", 9-3/8", 10-3/4", 12-1/4" or 13-3/8")



TOOLS NEEDED FOR INSTALLATION

- 1/4" Allen wrench
- 5/16" socket for self-tapping screws
- Two 15/16" Box End / Socket Wrenches or two medium adjustable wrenches
- Measuring Tape
- Torque Wrench capable of 50 ftlbs of torque.



SECTION 1: PREPARATION

Unpack your Ultimate 5th Wheel Connection kit and compare it with the Parts List on the previous page. If it appears that there are missing or damaged items caused by shipping and handling, contact the freight carrier who delivered the unit for their damaged freight procedures. If any component appears to be missing or damaged please contact us immediately.

SECTION 2: INSTALLING THE KINGPIN COUPLER BLOCK



NOTE: As of May 2016, all models of the Ultimate Connection feature the new ball-funnel (shown left) even though it's not featured in the pictures below.



2-1. Place the kingpin coupler block on the kingpin as illustrated in the pictures to the left. Make sure the ball socket is face-down. For most 5th wheel installations, place the greaseless opening towards the front of the kingpin.

IMPORTANT: Pay close attention to the length of the pin box. If there's a possibility that it might hit the tailgate or side boards of your tow vehicle, then place the greaseless opening of the coupler block *behind* the kingpin.

Do not attach the remote latch cable yet.



2-2. Insert the two 5" x 5/8" kingpin bolts into their holes to hold the coupler block on the kingpin and place the nuts on the two bolts as illustrated on the left. Push the bolts all the way flush to the block, but **DO NOT** fully tighten the nuts yet.



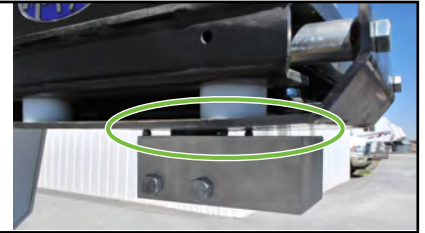
2-3. Make sure the coupler block is centered to the pin box before tightening the 4 set screws.

IMPORTANT: When turning sharply or reversing at an angle in your tow vehicle, be very aware of the front corners and nose of your trailer so they do not hit the windows or cab of your tow vehicle. Each trailer is unique so be sure to watch its position in a sharp turn.



2-4. Using a 1/4" allen wrench, tighten the 4 set screws to about 40 ft-lbs of torque.

NOTE: Because kingpins vary in height, some blocks will have space between the coupler block and the kingpin plate (see picture on right) while others will be flush. This is normal and does not impact the performance of your Ultimate Connection in any way.



2-5. Now tighten the nuts on both kingpin bolts until they are snug.

NOTE:
THERE IS NEVER A NEED TO GREASE BALL OR COUPLER

SECTION 3: ATTACHING THE REMOTE LATCH CABLE

IMPORTANT The remote latch bracket should be installed within 30" of the center line of the ball socket to prevent the cable and bracket from being crushed by the pickup's sideboards. This can happen when the trailer and the pickup become twisted in reference to each other on uneven surfaces often found in campgrounds.



Use a 5/16" socket to install the two self-tapping screws provided, and install as shown left. For best results, install the screws in the frame of the trailer, or the screws may eventually pull out of the thin fiberglass or aluminum sheet metal skin of the trailer. Using a magnet is a great way to help locate the frame.

Using the remote latch cable:

To engage, simply turn the handle to unlock it, push the handle until it's all the way in and then turn it fully in either direction to lock in place.

To disconnect, turn the handle to unlock it, pull the handle until it's all the way out and then turn it fully in either direction to lock in place.

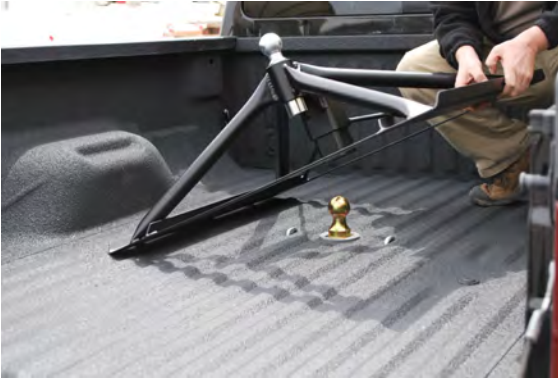


IMPORTANT: DO NOT FORCE THE HANDLE INWARD. If the handle will not push in fully, check to make sure that the receiver is fully seated down over the 2-5/16" ball.

Due to tight tolerances, if the trailer and tow truck are angled too much in reference to each other, the king pin coupler block may not fully seat on the ball. This also applies to uncoupling the king pin coupler as well. If the truck and trailer are angled too much in reference to each other, the king pin coupler block may become 'stuck' on the ball. To alleviate this problem, ensure that the truck and trailer are somewhat level in reference to each other. Raise the trailer up to clear the ball, disconnect your wiring harnesses and any safety cables and chains, then drive your truck out from under the trailer.

SECTION 4: INSTALLING THE BASE UNIT

Note: Before installation make sure that the gooseneck ball in the bed of the truck is in the up position and locked into place.

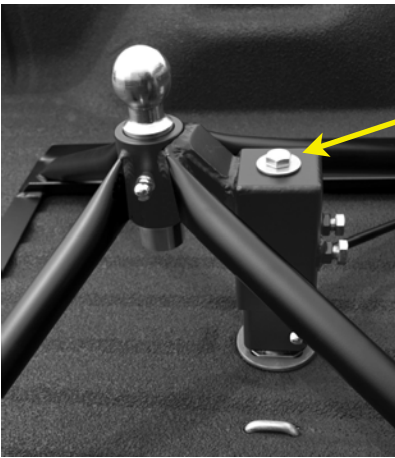


4-1. Place the Ultimate Connection in the bed of your truck so that the Ultimate Adjustable Ball is closest to the tailgate (as shown left).

Square up the hitch before tightening it down.



4-2. Place the pin through the lower coupler sleeve under the gooseneck ball and secure it in place with the hairpin clip. Push the entire base forward towards the cab of the truck until it will not go any further.



4-3. Using a 15/16" socket wrench, tighten the top bolt of the square coupler to 50 ft-lbs of torque. This will ensure that the coupler is pulling up on the gooseneck ball and holding the ultimate connection firmly to the bed of the truck.



4-4. Line up the King Pin Coupler above the Ultimate Ball and place the full weight of your trailer onto the ball. Secure the Coupler Block by using the remote latch and then locking the remote handle in place (see previous page).

4-5. IMPORTANT Now **RETIGHTEN** the top bolt to 50 ft-lbs of torque (see step 4-3 above). This takes up any extra slack from the Ultimate base.

4-6. Using a 15/16" socket wrench, tighten the two square coupler set bolts to 40 ft-lbs of torque to take out any play in the tube. **DONE.** You are now ready to attach your 5th wheel trailer to the base unit.



NOTE:

THERE IS **NEVER** A NEED TO GREASE BALL OR COUPLER

SECTION 5: REMOVING THE BASE UNIT

Once you have disengaged the kingpin coupler and your 5th wheel trailer is out of the way, you can remove the base and free up your truck bed by simply reversing steps 2–4 as follows: Loosen the two coupler set bolts, loosen the coupler top bolt and remove the square coupler pin.

Warranty Registration and Validation

Andersen Ultimate Connection 5th Wheel Hitch

Send to: Andersen Hitches Registration

3125 N. Yellowstone Hwy, Idaho Falls, ID 83401

*All information must be completed and sent or faxed to Andersen Hitches 208-523-6562

OR simply go to www.AndersenHitches.com/register and complete your registration online.

Name: _____

Address: _____

City: _____ State: _____ Zip: _____

Phone: _____ E-mail: _____

Purchase Date: _____ Installed by: Dealer Self

Dealer name: _____ City: _____ State: _____

Ultimate 5th Wheel Connection Limited Warranty

WARNING

The weight ratings and certifications for the Ultimate 5th Wheel Connection are intended to represent only the product capability and in no way reflect the capacity or ratings of any towing system it is used with. In many cases, the rating of our product will be greater than those of the vehicle towing system, hitch, and trailer being used with our accessory. We strongly advise the consumer and operator to learn the ratings of the various components of the towing system and to NOT exceed the limits of the lowest rated component.

LIMITED ONE YEAR WARRANTY: Andersen Mfg. Inc. (“ANDERSEN”) warrants to the original purchaser (“BUYER”), the Ultimate 5th Wheel Connection (“PRODUCT”) against latent defects in materials and workmanship under normal use and service, rust, corrosion and ordinary wear and tear excepted, from the date of retail purchase for one year, subject to the limitations as set forth below.

If the PRODUCT is latently defective ANDERSEN will replace or repair the PRODUCT and/or associated parts when a proper Return Merchandise authorization (RMA) number is obtained by the BUYER, and the PRODUCT is returned with transportation charges prepaid to ANDERSEN manufacturing plant.

ANDERSEN shall not be required to replace or repair any items damaged as a result of improper installation, alteration, unreasonable use, or improper maintenance including, without limitation, loading the PRODUCT beyond the PRODUCT’s rated load capacity, damaged caused by an accident, sudden impact arising from a collision or other abnormal occurrences. BUYER is responsible for maintenance checks to the PRODUCT on a regular basis.

Since it is beyond ANDERSEN’s control as to what trailers or vehicles the PRODUCT may be used with, and what condition said trailers or vehicles may be in, ANDERSEN will not warrant or assume liability for damages incurred. It is the responsibility of the BUYER to have the trailer braking system checked and maintained on a regular basis. ANDERSEN does not warrant against discontinuation of PRODUCT, acts of God, defects in items or components not manufactured by ANDERSEN, or against damages resulting from such non-ANDERSEN made products or components. ANDERSEN passes on to BUYER the warranty it received (if any) from the maker thereof of such non-ANDERSEN made products or components. This warranty also does not apply to PRODUCT upon which repairs have been affected or attempted by persons other than pursuant to written authorization by ANDERSEN .

THIS WARRANTY IS EXCLUSIVE. To the extent allowed by law, ANDERSEN shall not be liable for any incidental, consequential, or any other damages including, without limitation, breach of any implied warranty, merchantability, or fitness of the PRODUCT for a particular purpose. The sole and exclusive obligation of ANDERSEN shall be to repair or replace the defective PRODUCT in the manner stated above. ANDERSEN shall not have any other obligation with respect to the PRODUCT or any part thereof, whether based on contract, tort, strict liability, or otherwise. It is understood that the seller’s liability, whether in contract, in tort, under any warranty, in negligence or otherwise, shall not exceed the return of the wholesale amount of the purchase price paid by the BUYER. Under no circumstances, whether based on this Limited Warranty or otherwise, shall ANDERSEN be liable for incidental, special, or consequential damages. The price stated for the PRODUCT is considered in limiting ANDERSEN’s liability.

ANDERSEN’s employees, representative’s or Dealers ORAL OR OTHER WRITTEN STATEMENTS DO NOT CONSTITUTE WARRANTIES, shall not be relied upon by BUYER, and are not a part of the contract for sale or this limited warranty.

This warranty does not include labor charges nor does it include transportation charges for returning the PRODUCT to the consumer. Removal, shipping and installation of the replacement PRODUCT or replacement parts shall be at BUYER’s expense.

Return Merchandise Authorization (RMA) and warranty procedure may be obtained by visiting Andersen's website at www.andersenhitches.com and clicking on ‘Return Policy’ at the bottom of the page, or by calling our customer service department at 1-800-635-6106.

ANDERSEN HITCHES



Making Life Simple

See our full line of towing products at
www.AndersenHitches.com



Aluminum Rapid Hitch

Greaseless & Standard
2" or 2-1/2" shank available



Ultimate Trailer Gear Duffel Bag

The must-have 14-pc kit for all Trailers
Kit includes 1 Rapid Jack (with rubber pad),
1 Clean Step, 2 Camper Levelers, 4 TUFF Pads,
4 TUFF Chocks and heavy-duty Duffel Bag!



EZ Adjust Hitch & EZ HD

from 10K to 16K Heavy Duty
2" or 2-1/2" shank available



Camper Leveler

Level your trailer on the first try!
Each kit includes chock and leveler



Andersen 'No Sway, No Bounce'

Weight Distribution Hitch
2" or 2-1/2" shank available



Rapid Jack

Fast tire-changer for multi-axle
and dually trucks, trailers & RV's



**PROUDLY MADE
IN THE USA**



www.AndersenHitches.com • 1.800.635.6106