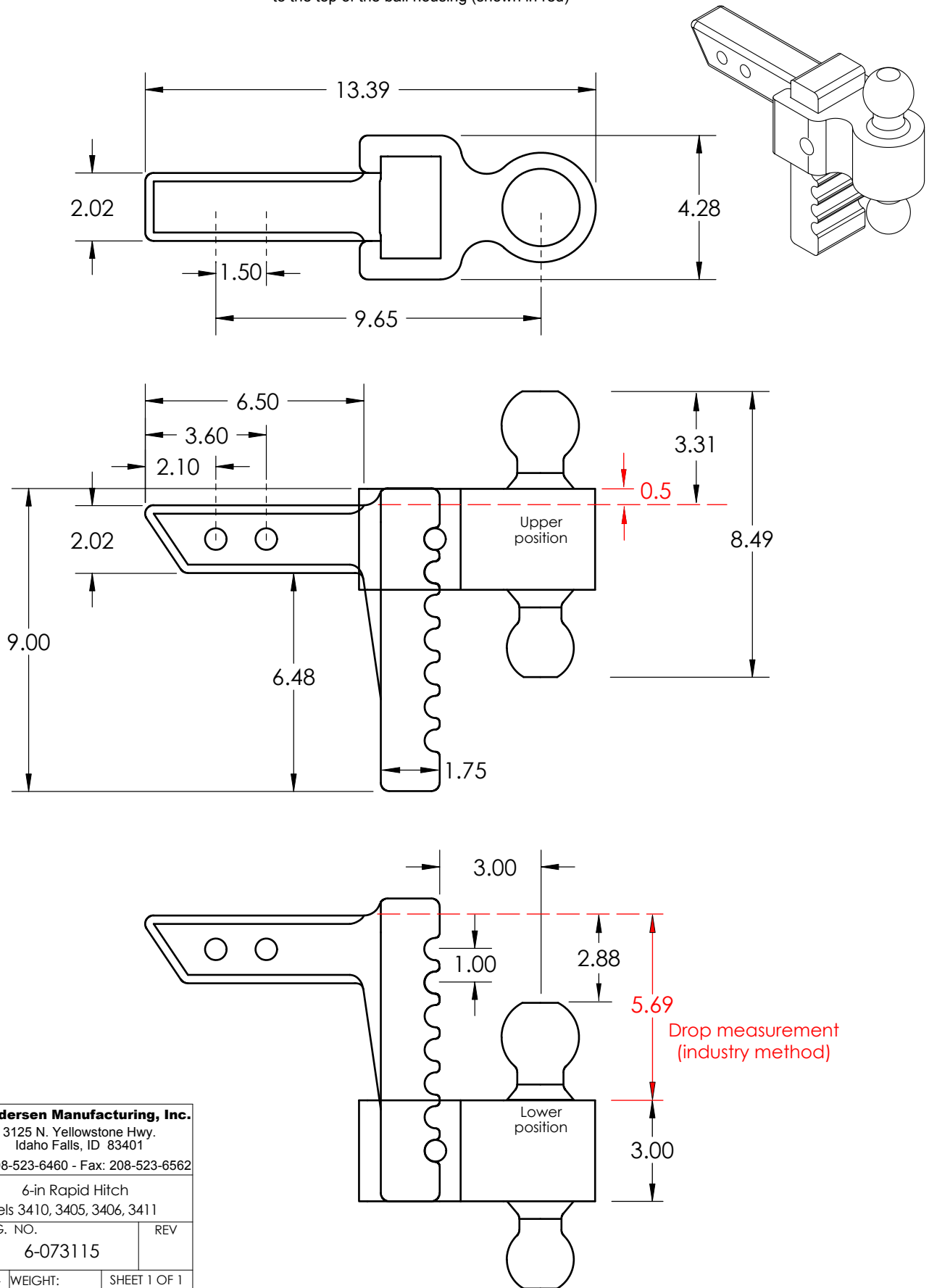


Andersen Hitches 6-inch Rapid Hitch 3410, 3405, 3406, 3411

Note: For all hitch manufacturers, the 'drop' is measured from the top of the receiver bar to the top of the ball housing (shown in red)



 Andersen Manufacturing, Inc. 3125 N. Yellowstone Hwy. Idaho Falls, ID 83401 Phone: 208-523-6460 - Fax: 208-523-6562		
TITLE: 6-in Rapid Hitch Models 3410, 3405, 3406, 3411		
SIZE	DWG. NO.	REV
A	6-073115	
SCALE: 1:4	WEIGHT:	SHEET 1 OF 1