

# Installation Instructions



## BH15 Series **Combination Hitch**

### Capacity

4,000 lbs. Maximum vertical load

30,000 lbs. Maximum gross trailer weight

### Towing Applications

Trailers and equipment designed for over-the-road towing within the stated capacities. For off-road applications, reduce the capacities listed above by 25% and use in conjunction with a swivel-type drawbar. This pintle hook/ball hitch is well suited for use in the utility and construction industries.

### Drawbar Eye/Ball Hitch Dimensions

2-3/8" – 3" I.D. with 1-1/4" – 1-9/16" diameter section  
2" or 2-5/16" SAE J 684 Ball Hitch Coupler.

### Mounting

1. Use a mounting structure of sufficient strength to support the rated capacity of the pintle hook in accordance with SAE J 849B.
2. Use the hole pattern template supplied with the pintle hook.
3. Use four 9/16" grade 8 bolts, torque to 120 ft.-lbs.

### Operating Instructions for Pintle Hook

1. Before operating, inspect for proper operation, worn, damaged or missing parts and secure mounting. Correct as required before use.
2. Open latch by removing safety pin, pulling plunger and rotating latch open.
3. Position drawbar eye over the horn of the pintle and lower into place.
4. To close latch, pull plunger, rotate latch closed and release plunger. Plunger must be fully engaged to lock the latch. Assembly safety pin.

### Operating Instructions for Ball Hitch

1. Before operating, inspect for proper operation, worn, damaged or missing parts and secure mounting. Correct as required before use.
2. Open latch by removing safety pin, pulling plunger and rotating latch open.
3. Replace safety pin in hole to retain latch in open position.
4. Position ball coupler over the proper size ball and lock into place, following the instructions of the coupler manufacturer.



### Maintenance

For proper performance, perform the following every 30,000 miles or three months, whichever comes first:

1. Clean and inspect for proper operation.
2. Inspect for worn, damaged or missing parts. Replace only with Buyers parts.
3. Regularly lubricate latch and lock pivots with a light oil lubricant.
4. Check the mounting bolts for proper torque.

### Ball Replacement

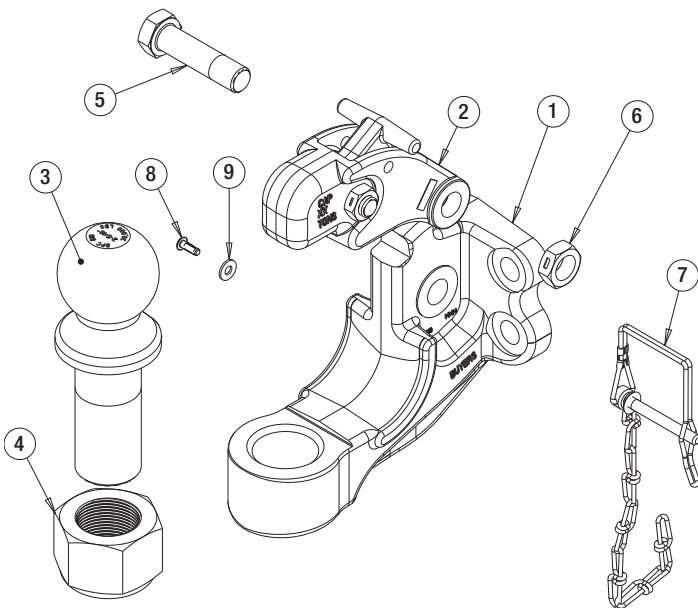
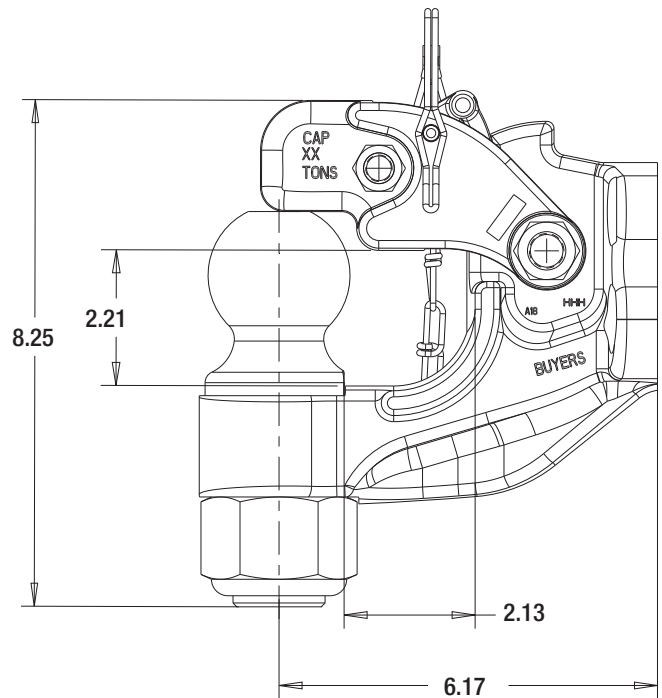
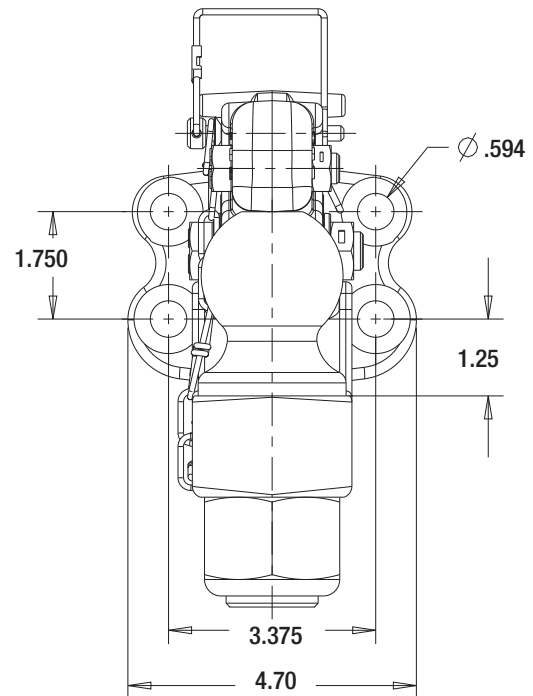
1. Use only Buyers replacement balls.
2. Torque locknut to 350 ft. lbs.
3. Replace prevailing torque locknut when it falls below 90 inch lbs. of torque required to thread onto ball shaft.
4. Check torque specification of ball every 200 miles of towing.

**⚠ WARNING**

- Maintain adequate vertical (tongue) load to properly control the trailer (generally 10%) but do not exceed the above rated capacities.
- Do not damage the latch. Be particularly careful with the drawbar when coupling and uncoupling.
- Other steps and inspections are also required. Consult D.O.T. regulations and American Trucking Association for complete coupling and uncoupling procedures.
- It is the user's responsibility to be sure that the pintle hook mounting surface is capable of 4,000 lbs. vertical load and 30,000 gross trailer weight.

**⚠ WARNING**

This product can expose you to chemicals including Hexavalent chromium (chromium 6) compounds, which is known to the State of California to cause cancer and birth defects or other reproductive harm. For more information go to [www.P65Warnings.ca.gov](http://www.P65Warnings.ca.gov).



**Bill of Materials**

ITEM NO.	PART NO.	DESCRIPTION
1	3041531	Body,Combo Hitch Ball,Machined
2	3042089	Jaw Assembly, 15 Tons, Receiver Hitch
3, 4	3044551	2-5/16" Replacement Ball with Nut, BH152516
5	0080600	Screw, Cap 5/8-18X2-7/16 GR8 SPCL
6	0080700	Nut, 5/8-18 Center LOC Jam
7	P11C	Pin, Safety 1/4" ZN with 8" Chain
8	0081000	Rivet, Drive #10 X 1/2 Zinc
9	0081600	Washer, Flat #10 SAE Zinc

**Warranty**

Buyers Products Co. warrants all truck/trailer hardware manufactured or distributed by it, to be free from defects in material and workmanship for a period of one year from date of shipment. Parts must be properly installed and used under normal conditions. Any product which has been altered, including modification, misuse, accident or lack of maintenance will not be considered under warranty. Normal wear is excluded. The sole responsibility of Buyers Products Co. under this warranty is limited to repairing or replacing any part or parts which are returned, prepaid, and are found to be defective by Buyers Products Co. Authorization from Buyers Products Co. must be obtained before returning any part. No charges for transportation or labor performed on Buyers' products will be allowed under this warranty.