

# INSTALLATION MANUAL

# 60628

## Level of Difficulty

Easy

## Parts List

1 Gooseneck ball

## Tools Required

None

## Product Photo



## ⚠ WARNING

Never exceed the vehicle manufacturer's recommended towing capacity.

Vehicle performance (braking, handling, acceleration, turning radius) can be drastically affected by a trailer. Allow additional time and space for stopping, changing lanes, passing and turning.

Do not tow more than one trailer at a time. This may cause loss of control.

Severe bumps can damage the towing system. Avoid or drive slowly over rough terrain.

## Notes and Maintenance

Before you begin installation, read all instructions thoroughly.

Proper tools will improve the quality of installation and reduce the time required.

Keep the gooseneck ball, receiver and trailer coupler lubricated regularly.

Use silicone spray or equivalent to prevent wear and rust.

Keep the gooseneck ball, receiver and trailer coupler free of dirt and other foreign debris.

Failure to maintain the towing system could result in poor performance and / or failure.

Periodically check the gooseneck hitch to ensure all fasteners are tight and structural components are sound.

## Product Registration

CURT Group stands behind our products with industry leading warranties.

You can help us continue to improve our product line and help us understand your needs by registering your purchase by visiting:

[warranty.curtgroup.com/surveys](http://warranty.curtgroup.com/surveys)

At CURT Group, customer is king. We value your feedback and we use that information to make improvements on our products. Please, take a minute and let us know how we are doing.

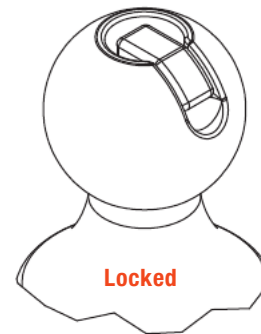
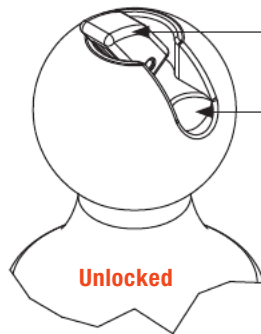
## Installation

To install the gooseneck ball, lift the handle from its seat and rotate 90°. Insert the gooseneck ball into the receiver tube in the bed of truck. Rotate the handle to the locked position and flip it down into its seat.

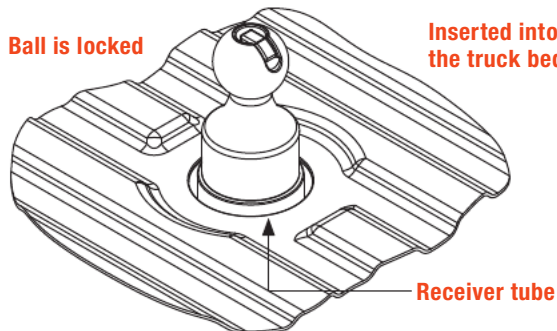
**Note:** If the handle does not freely rotate into the locked position, rotate the ball while applying light pressure to the side of the handle. When the handle rotates into the locked position, flip it down into the seated position.

When the gooseneck ball is not in use, remove it from the receiver tube and store it in a dry, clean area.

Place the rubber cover (#66155, sold separately) in the gooseneck receiver when the ball is removed to keep dirt and contaminants out.



Handle must match the ball profile while in the locked position, prior to coupling





# TOWING TIPS

## Towing Tips

### Before towing the first time

Verify adequate turning clearance between the truck cab / box corners and trailer(s).

Check truck box clearance. There should be a minimum clearance of 6" between the bottom of the trailer(s) overhang and the top of the box sides.

Verify all hardware is torqued to the proper specification.

Verify the trailer safety chain length. Too much slack in the chain may prevent maintaining control in the event of separation. Leave only enough slack to allow full turning without interference.

Verify the trailer attachments to the safety chain anchors are secure (cannot be shaken free during towing).

### Before towing the every time

Ensure all fasteners are tight and that all structural components are sound. Do not tow trailer with worn or damaged parts.

Attach trailer securely to safety chain anchors.

Ensure the trailer weight does not exceed any part of the towing system. Be sure load is heavier towards front of the trailer while not exceeding the hitch tongue weight. Be sure trailer load is secured to prevent shifting and centered from left to right. Never load the trailer heavier behind the trailer axle(s).

Check tires to ensure they are inflated to the proper specification. Follow vehicle and trailer recommendations.

Verify trailer lights, electric brakes and breakaway switches are working properly.