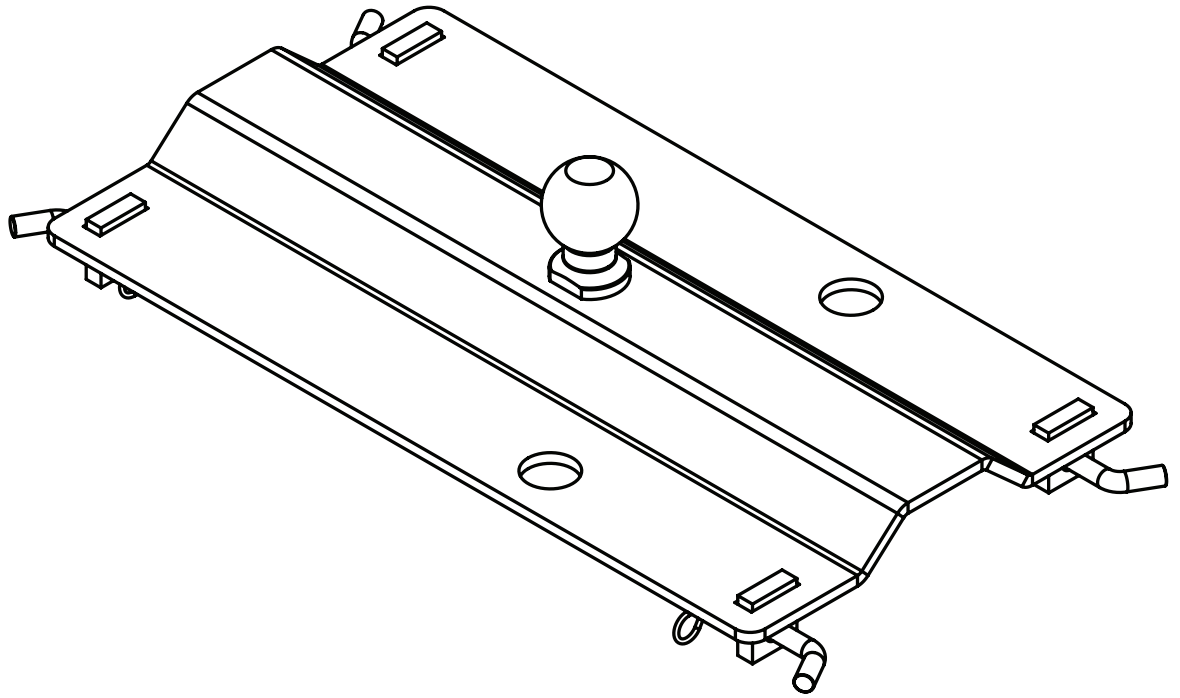




# Gooseneck

## 5996 Ultra Hitch



**READ** *complete manual CAREFULLY  
BEFORE attempting operation.*

Doing Our Best to Provide You the Best

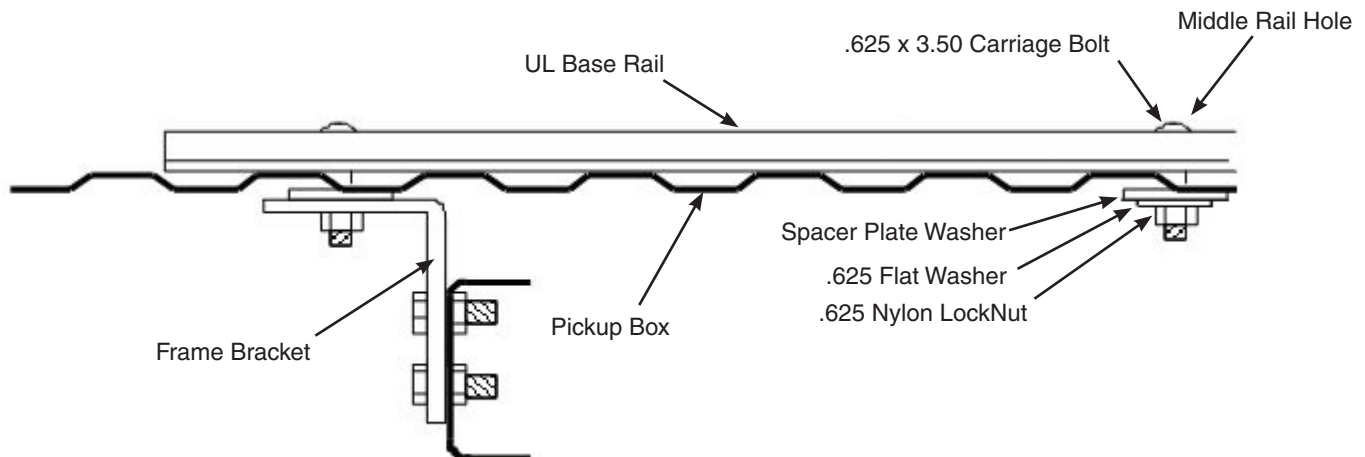
OPERATORS MANUAL

## WARRANTY POLICY & REGISTRATION

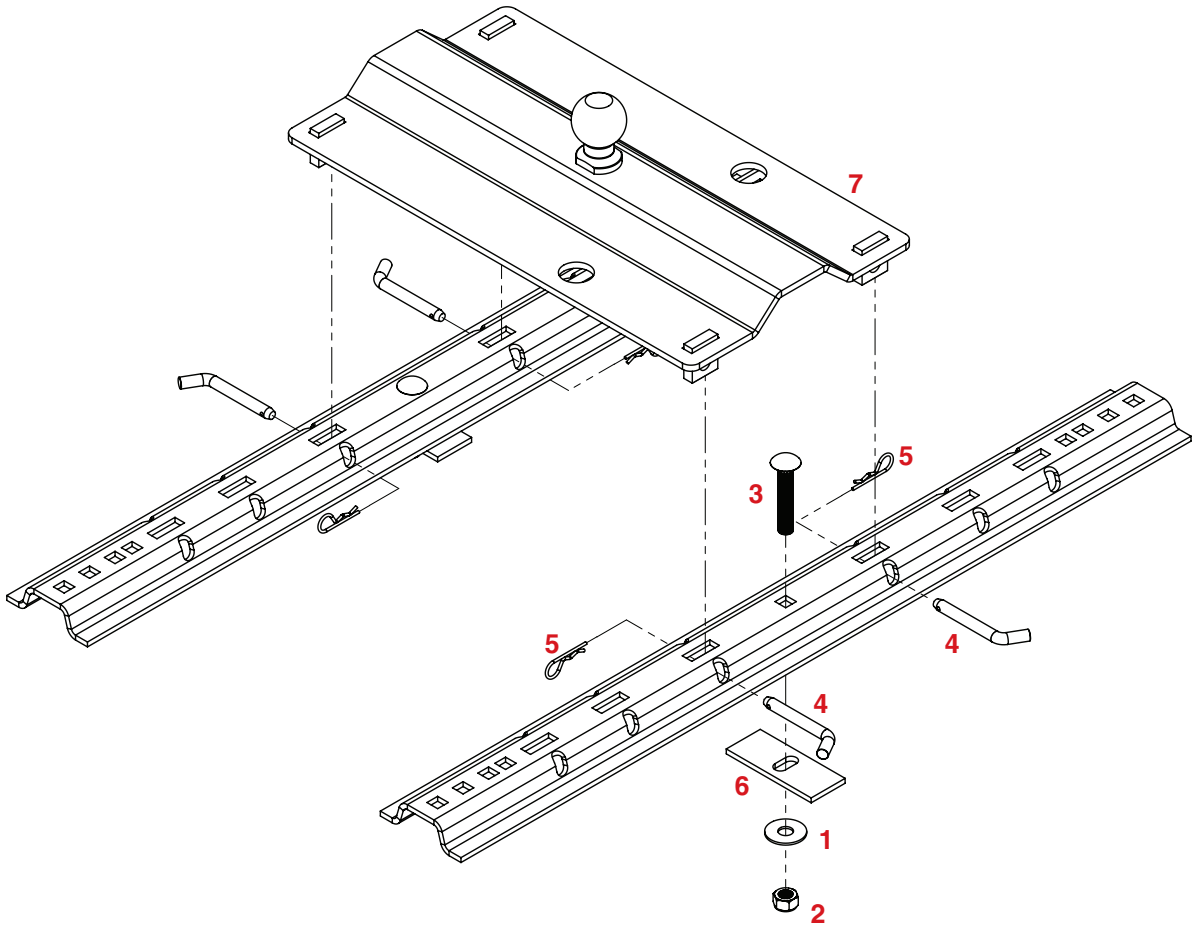
Go online to [www.demco-products.com](http://www.demco-products.com) to review Demco warranty policies and register your Demco product.

### 5996 Installation Instructions

1. Before installing hitch on the bed rail, install center bolt support by using the center rail hole as a template. Drill 5/8" hole into the pickup box and pass through the 5/8" bolt through the rail and pickup box and fasten with the spacer plate against the bottom of box, flat washer and nylon lock nut.
2. Install hitch into the narrowest slots in bed rail and pin it in place with supplied pull pins and hair pins.



## 5996 Parts Breakdown



ITEM	PART #	QTY	DESCRIPTION
1	00477	2	5/8" FLAT WASHER
2	02587	2	NUT, 5/8" NC LOCK, NY. INSERT
3	14321	2	BOLT 5/8"NC X 3-1/2 Carriage Bolt Gr.5
4	14226	4	PULL PIN W/HAIR PIN
5	00182	-	HAIR PIN (REPLACEMENT)
6	14157-76	2	SQUARE WASHER
7	14265-76	1	GOOSENECK HITCH W/2-5/16" BALL

Please order replacement parts by PART NO. and DESCRIPTION.

**Demco**

4010 320th St., BOYDEN, IA. 51234

PH: (712) 725-2311

FAX: (712) 725-2380

TOLL FREE: 1-800-54DEMCO (1-800-543-3626)

[www.demco-products.com](http://www.demco-products.com)

Go online to [www.demco-products.com](http://www.demco-products.com) for Demco  
warranty policies & product registration.