

MANUAL
OPERATORS



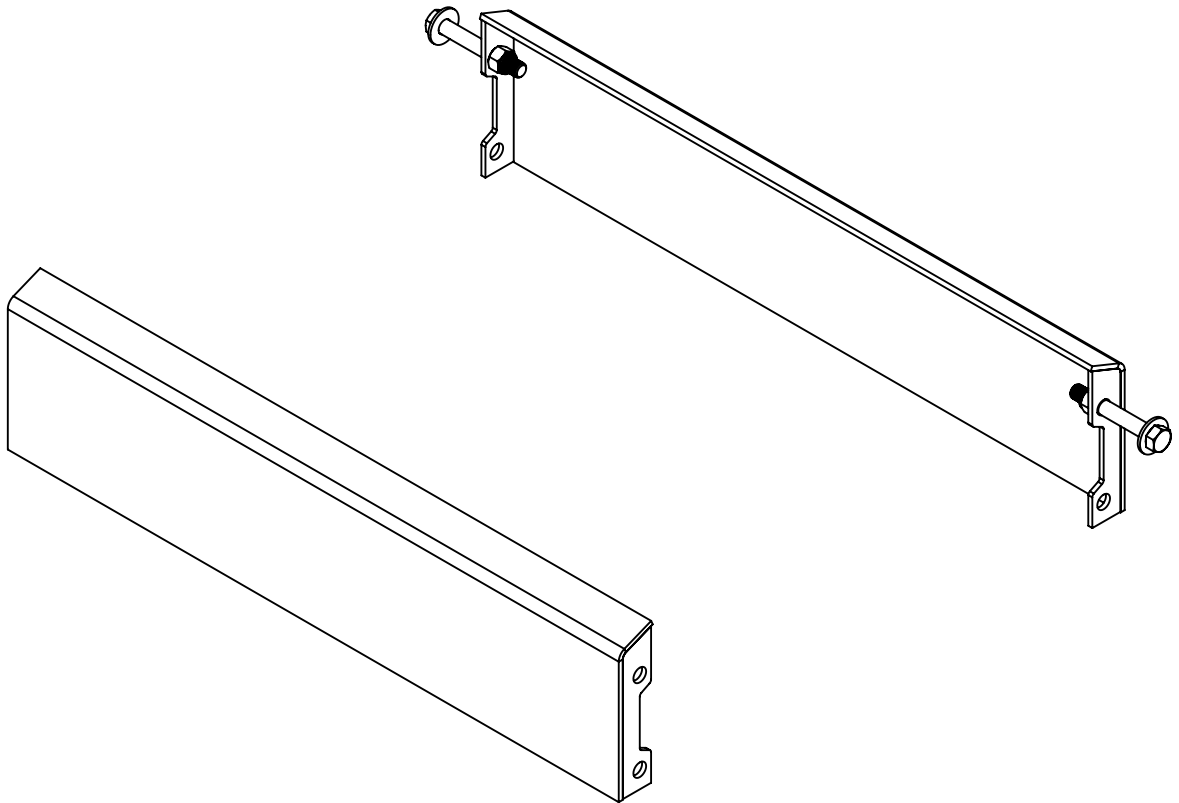
5/16
HJ26052, Rev 1



5th Wheel Hitch

6052 PREMIER SERIES

ULTRA SLIDE UPGRADE KIT



READ complete manual CAREFULLY
BEFORE attempting operation.

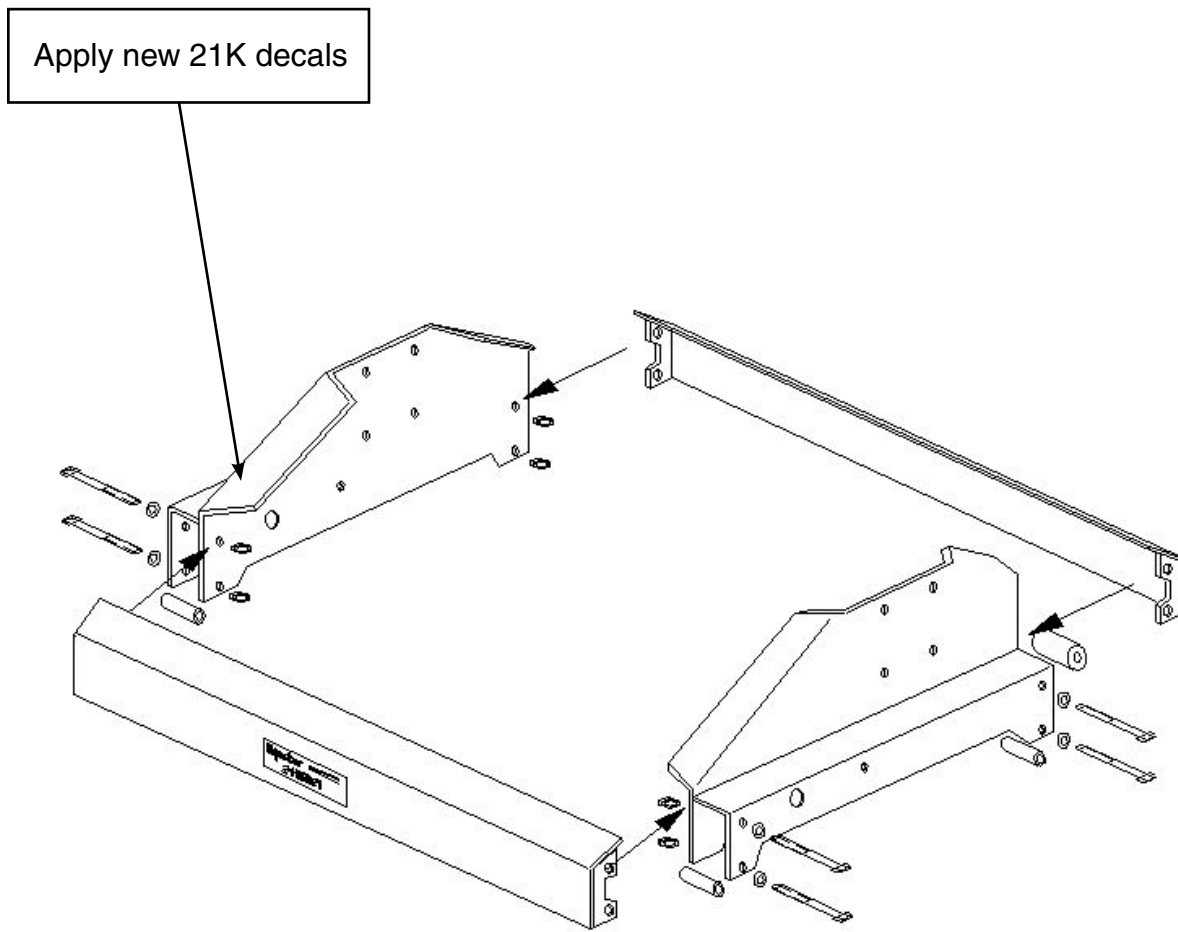
Doing Our Best to Provide You the Best

WARRANTY POLICY, OPERATOR MANUALS & REGISTRATION

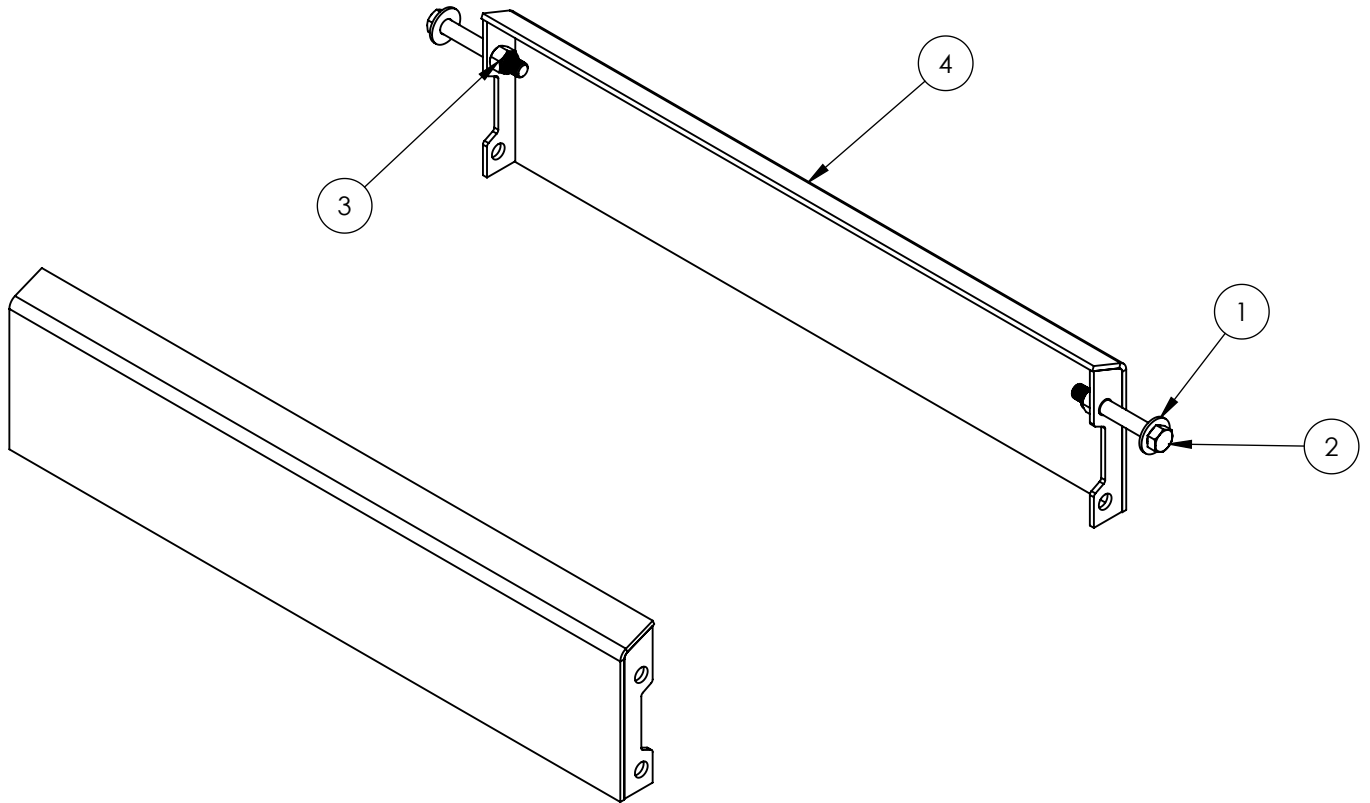
Go online to www.demco-products.com to review Demco warranty policies, operator manuals and register your Demco product.

6052 21K Upgrade Kit Assembly Instructions

1. Loosely assemble complete fifth wheel hitch assembly and attach the 21K upgrade bracket that has the decal so it is facing towards tailgate of tow vehicle. Attach using the rear roller bolts and nuts and both the front and rear spacer bolts and nuts. Use the extra $\frac{1}{2}$ " bolts, nuts, and washers supplied with kit for the front bracket.
2. Attach the other bracket to rear of hitch assembly as shown in drawing.
3. Tighten the top roller bolts only to snug. DO NOT OVER TIGHTEN. The bottom bolts can be tightened to 80-90 lbs.



6052 Parts Breakdown



6052 Parts Breakdown

ITEM	PART #	QTY	DESCRIPTION
1	00085	2	.50 FLAT WASHER
2	01897	2	BOLT, .50NC X 3.50 HEX HEAD
3	02178	2	NUT, .50NC LOCK, NY. INSERT
4	14534-76	2	ULS 21K BRACE

Please order replacement parts by PART NO. and DESCRIPTION.

Demco

4010 320th St., BOYDEN, IA. 51234

PH: (712) 725-2311

FAX: (712) 725-2380

TOLL FREE: 1-800-54DEMCO (1-800-543-3626)

www.demco-products.com

Go online to www.demco-products.com for Demco warranty policies, operator manuals & product registration.