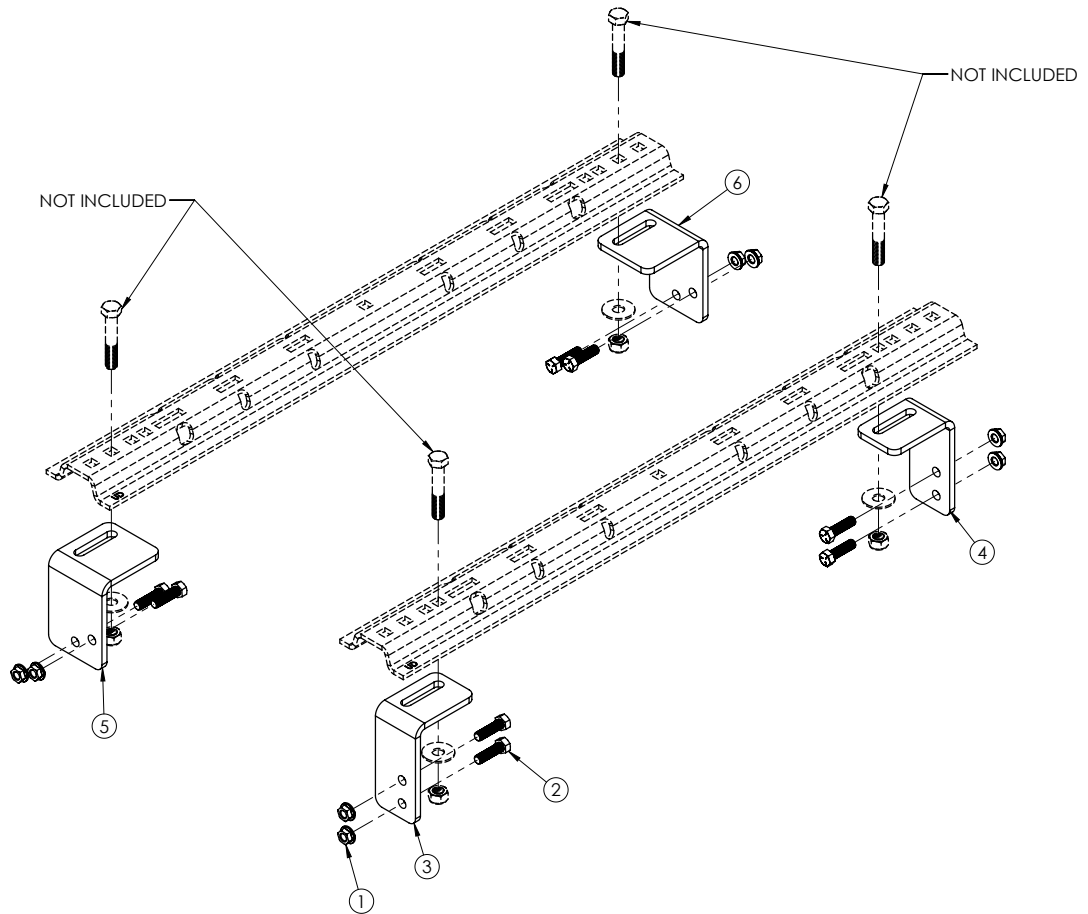


## FRAME BRACKET 8552003

Ford F150 (5-1/2', 6-1/2' & 8' Boxes)



ITEM	PART #	QTY	DESCRIPTION
1	<b>10379</b>	8	NUT, .50 SERRATED FLANGE
2	<b>14266</b>	8	BOLT, .50NC X 1-3/4" HEX GR.5
3	<b>14300-76</b>	1	FRAME BRACKET REAR DRIVER SIDE
4	<b>14301-76</b>	1	FRAME BRACKET REAR PASSENGER SIDE
5	<b>14302-76</b>	1	FRAME BRACKET DRIVER SIDE
6	<b>14303-76</b>	1	FRAME BRACKET PASSENGER SIDE
7	<b>14238</b>	1	FISH WIRE .50 (NOT SHOWN)

**Please order replacement parts by PART NO. and DESCRIPTION.**

# Installation

## 8552003 General Assembly & Installation Instructions

### WARRANTY POLICY, OPERATOR MANUALS & REGISTRATION

Go online to [www.demco-products.com](http://www.demco-products.com) to review Demco warranty policies, operator manuals and register your Demco product.

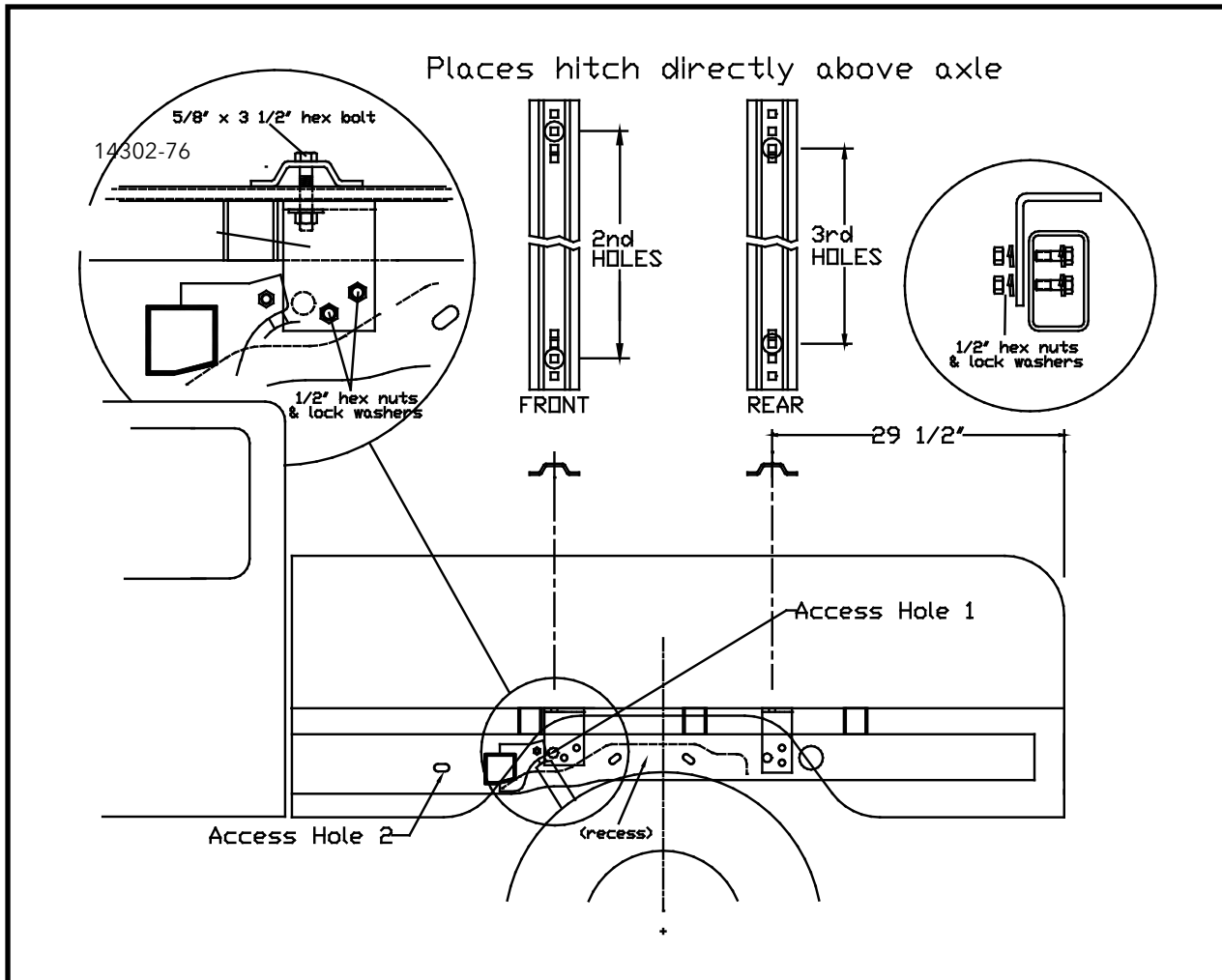
#### BOLT TORQUE SPECIFICATIONS

STANDARD BOLTS			METRIC BOLTS		
Size	Grade	Torque	Size	Grade	Torque
5/16"	5	18 ft/lbs.	8mm	8.8	23 ft/lbs.
3/8"	5	30 ft/lbs.	10mm	8.8	45 ft/lbs.
7/16"	5	50 ft/lbs.	12mm	8.8	78 ft/lbs.
1/2"	5	75 ft/lbs.	14mm	8.8	125 ft/lbs.
5/8"	5	150 ft/lbs.	16mm	8.8	160 ft/lbs.
3/4"	5	290 ft/lbs.			

**CAUTION:** Do not install base rails over plastic bed liners. Plastic bed liners must be cut out of the way. Rails may be installed on spray in liners.

**NOTE:** All metal surfaces that come in contact with the aluminum body need to have vinyl placed in between to prevent corrosion.

**NOTE:** Consult spray liner installer for recommended curing time.

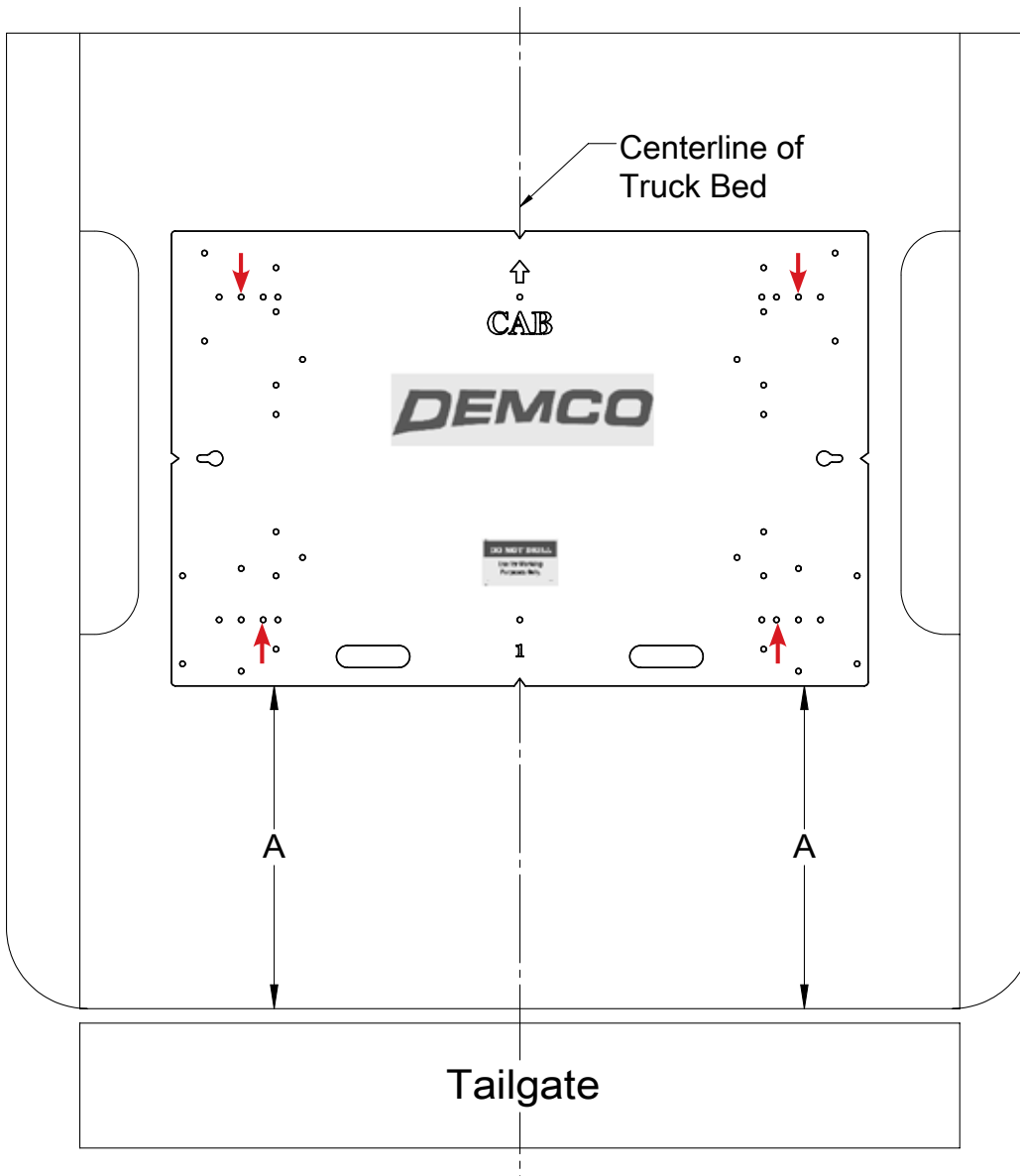


**INSTALLATION**

1. a. Completely assemble hitch. See GENERAL INSTRUCTIONS and SAFETY supplied.  
b. Set hitch into back of truck, center it side to side.  
c. Measure 29 1/2" from back edge of truck box to square hole centers in rear bed rail.
  2. Check underneath box at bolt hole locations for any obstructions (frame members, etc.).
  3. a. Drill two 5/8" holes thru FRONT BED RAIL, 2<sup>nd</sup> HOLE POSITION, as shown.  
b. Insert two 5/8" x 3 1/2" long hex bolts.  
c. Drill two 5/8" holes thru REAR BED RAIL, 3<sup>rd</sup> HOLE POSITION. Insert two 5/8" x 3 1/2" hex bolts.
  4. a. Under box, place frame brackets and on front base rail #1 and frame brackets and on rear base rail #2.  
b. Loosely install 5/8" flat washer, and 5/8" Nylon lock nut.  
c. Press each bracket tight against frame member, tighten nuts snug against box.
  5. a. Pilot drill\* and drill 1/2" hole into truck frame, at two places thru holes each frame bracket -- BE CAREFUL OF ELECTRIC OR FLUID LINES behind frame members.  
b. Brackets will be bolted onto frame by drilling frame and fishing knurl bolt through frame with fish wire and attach with serrated flange nuts.  
c. **TIGHTEN ALL BOLTS ACCORDING TO BOLT TORQUE SPECIFICATIONS.**
- \* To pilot drill: Use 1/2" drill bit or transfer punch to mark center. Drill thru with 1/4" drill.
- 

**Truck Bed Drilling Instructions with Template**

1. Place the template in the box and center the template between the wheel wells.
2. **IF NEEDED, TAPE THE TEMPLATE DOWN.**
3. Measure from the back of the box to the template on the passengers side and drivers side to insure that the template is square. See **DRAWING #1** and table for measurements.
4. Locate which holes you will be drilling, by the ones marked with a red arrow.
5. Take a 3/8" locating punch and mark the holes to be drilled.
6. **BEFORE YOU DRILL, MAKE SURE THAT THE TEMPLATE DID NOT MOVE, AND THAT THERE ARE NO OBSTRUCTIONS IN THE WAY.**
7. Remove the template and drill the four marked holes with a 5/8" drill bit.  
**NOTE:** A pilot hole may need to be drilled.
8. Deburr each hole.
9. Touch up the bare metal with some paint that matches the box of the truck.



**Drawing #1**

BOX LENGTH	DIMENSIONS	MEASUREMENT
FORD F150		
5-1/2'	A	*25"
6-1/2'	A	*25"
8'	A	*25"
*ALL MEASUREMENTS ARE FROM THE BACK OF THE BOX		

# DEMCO

4010 320th St., Boyden, IA. 51234

Phone: (712) 725-2311

Fax: (712) 725-2380

Toll Free: 1-800-54DEMCO (1-800-543-3626)

**Demco warranty policies, operator manuals, and product registration  
can be found online:**

**[www.demco-products.com](http://www.demco-products.com)**

