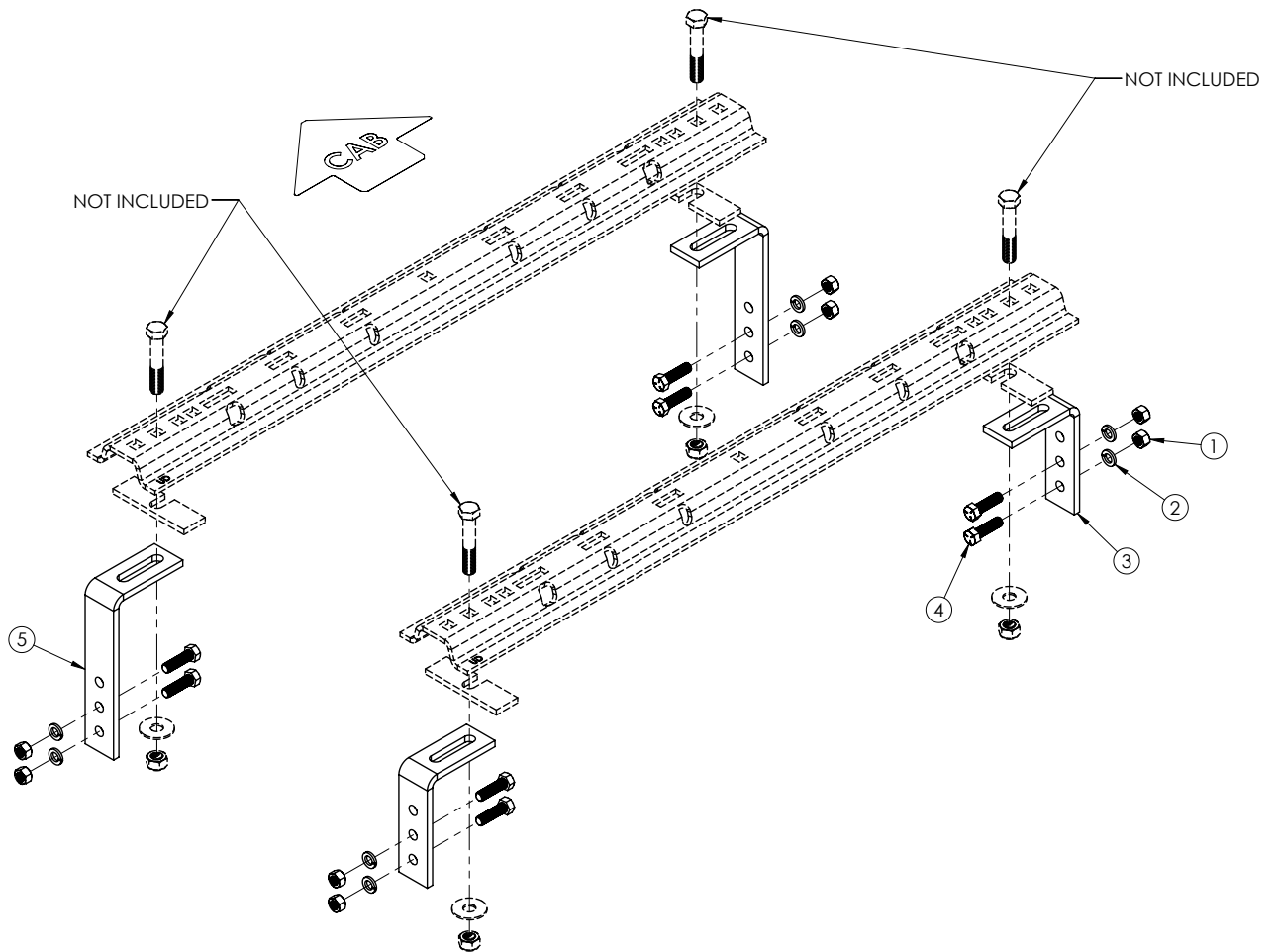


FRAME BRACKET 8552021

Nissan Titan (5-1/2', 6-1/2', 7' & 8' BOXES)



ITEM	PART #	QTY	DESCRIPTION
1	00083	8	NUT, .50 HEX
2	00084	8	WASHER, .50 LOCK
3	14189-76	2	411 FRAME BRACKET
4	14266	8	BOLT, .50NC X 1-3/4" HEX KNURLED GR.5
5	14310-76	2	FRAME BRACKET
6	14238	1	FISH WIRE .50 (NOT SHOWN)
7	14287-76	4	SHIM (NOT SHOWN)

Please order replacement parts by **PART NO.** and **DESCRIPTION.**

Installation

8552021 General Assembly & Installation Instructions

WARRANTY POLICY, OPERATOR MANUALS & REGISTRATION

Go online to www.demco-products.com to review Demco warranty policies, operator manuals and register your Demco product.

BOLT TORQUE SPECIFICATIONS

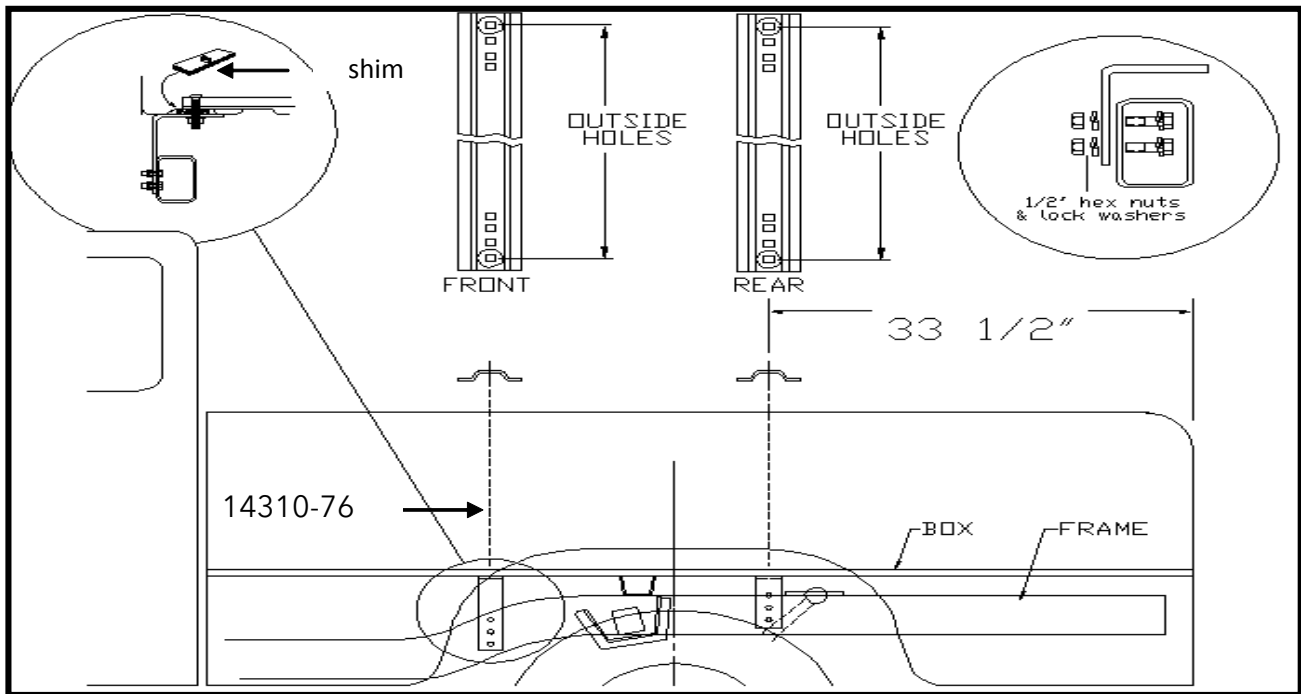
STANDARD BOLTS			METRIC BOLTS		
Size	Grade	Torque	Size	Grade	Torque
5/16"	5	18 ft/lbs.	8mm	8.8	23 ft/lbs.
3/8"	5	30 ft/lbs.	10mm	8.8	45 ft/lbs.
7/16"	5	50 ft/lbs.	12mm	8.8	78 ft/lbs.
1/2"	5	75 ft/lbs.	14mm	8.8	125 ft/lbs.
5/8"	5	150 ft/lbs.	16mm	8.8	160 ft/lbs.
3/4"	5	290 ft/lbs.			

CAUTION: Do not install base rails over plastic bed liners. Plastic bed liners must be cut out of the way. Rails may be installed on spray in liners.

NOTE: All metal surfaces that come in contact with the aluminum body need to have vinyl placed in between to prevent corrosion.

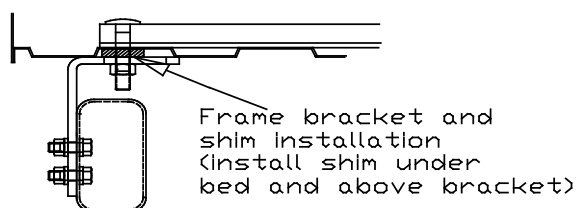
NOTE: Consult spray liner installer for recommended curing time.

5-1/2', 6-1/2' & 7' BOXES



INSTALLATION

1.
 - a. Completely assemble hitch. See GENERAL INSTRUCTIONS and SAFETY supplied.
 - b. Set hitch into back of truck, center it side to side.
 - c. Measure 33 1/2" from back edge of truck box to square hole centers in rear bed rail.
2. Check underneath box at bolt hole locations for any obstructions (frame members, etc.).
3.
 - a. Drill two 5/8" holes thru FRONT BED RAIL, OUTSIDE POSITION, as shown. Drop in two 5/8" x 3 1/2" bolts.
 - b. Drill two holes in REAR BED RAIL, OUTSIDE POSITION. Drop in 5/8" x 3 1/2" bolts.
4.
 - a. Under box, loosely install frame brackets, shim, flat washers and lock nuts onto 5/8" bolts (see drawing below).
 - b. Use the longer 411F frame brackets on front base rail #1 and standard 411 frame brackets on rear base rail #2. Brackets will be bolted onto frame by drilling frame and fishing knurl bolt through frame with a fish wire and attach with hex nut and lock washer on outside of bracket. Use a 1/2" drill for holes.
5.
 - a. BE CAREFUL OF ELECTRIC OR FLUID LINES behind frame members.
 - b. **TIGHTEN ALL BOLTS ACCORDING TO BOLT TORQUE SPECIFICATIONS.**

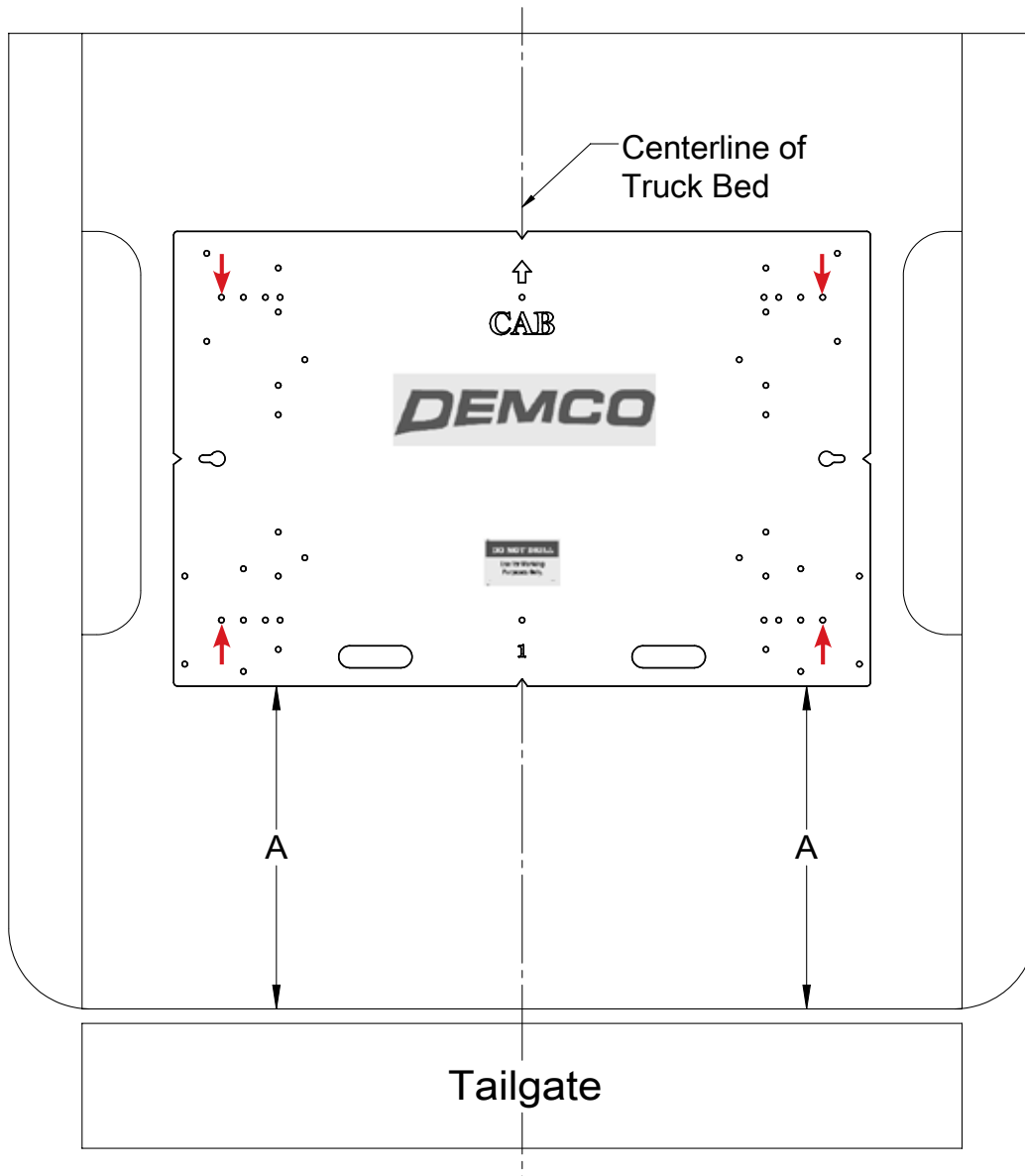


Truck Bed Drilling Instructions with Template

1. Place the template in the box and center the template between the wheel wells.
2. **IF NEEDED, TAPE THE TEMPLATE DOWN.**
3. Measure from the back of the box to the template on the passengers side and drivers side to insure that the template is square. See **DRAWING #1** and table for measurements.
4. Locate which holes you will be drilling, by the ones marked with a red arrow.
5. Take a 3/8" locating punch and mark the holes to be drilled.
6. **BEFORE YOU DRILL, MAKE SURE THAT THE TEMPLATE DID NOT MOVE, AND THAT THERE ARE NO OBSTRUCTIONS IN THE WAY.**
7. Remove the template and drill the four marked holes with a 5/8" drill bit.
NOTE: A pilot hole may need to be drilled.
8. Deburr each hole.
9. Touch up the bare metal with some paint that matches the box of the truck.

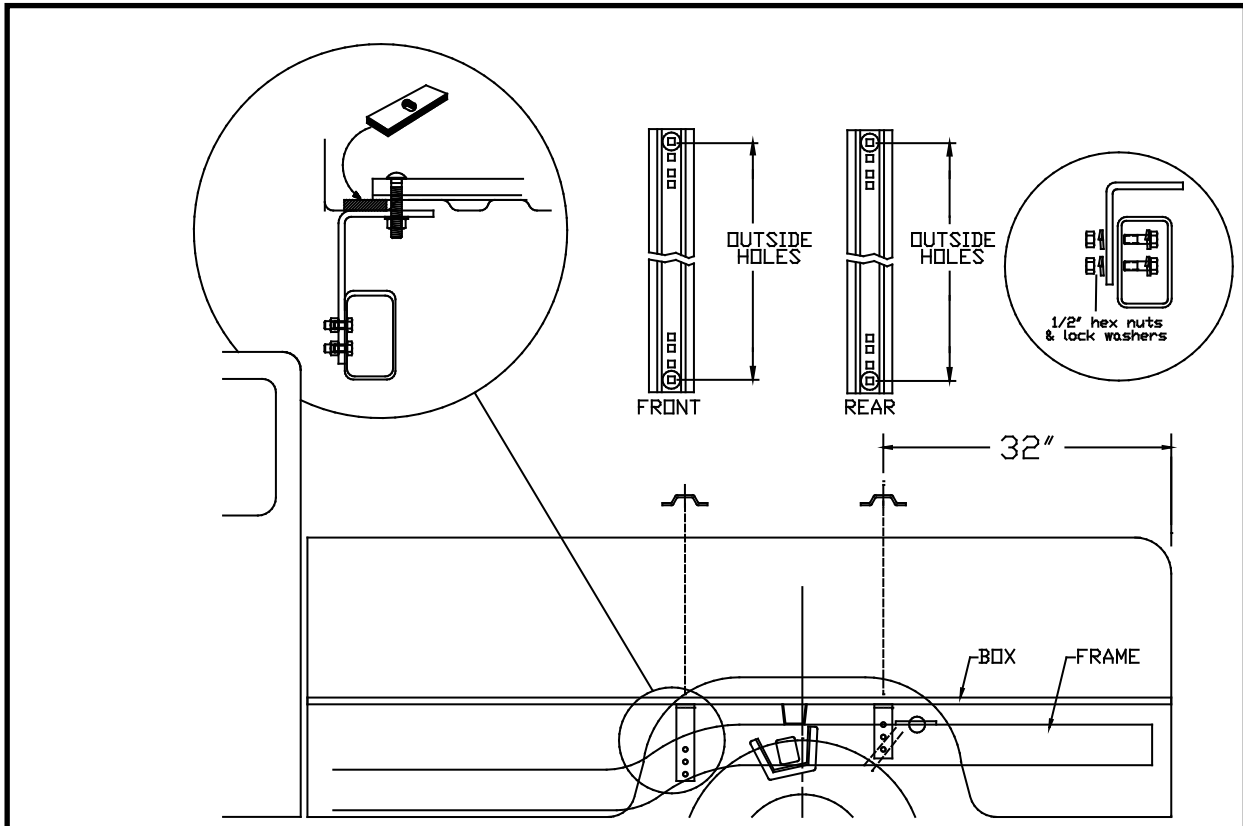
Installation

Truck Bed Drilling Instructions with Template



Drawing #1

BOX LENGTH	DIMENSIONS	MEASUREMENT
NISSAN TITAN		
5-1/2'	A	*29"
6-1/2'	A	*29"
7'	A	*29"
*ALL MEASUREMENTS ARE FROM THE BACK OF THE BOX		



INSTALLATION

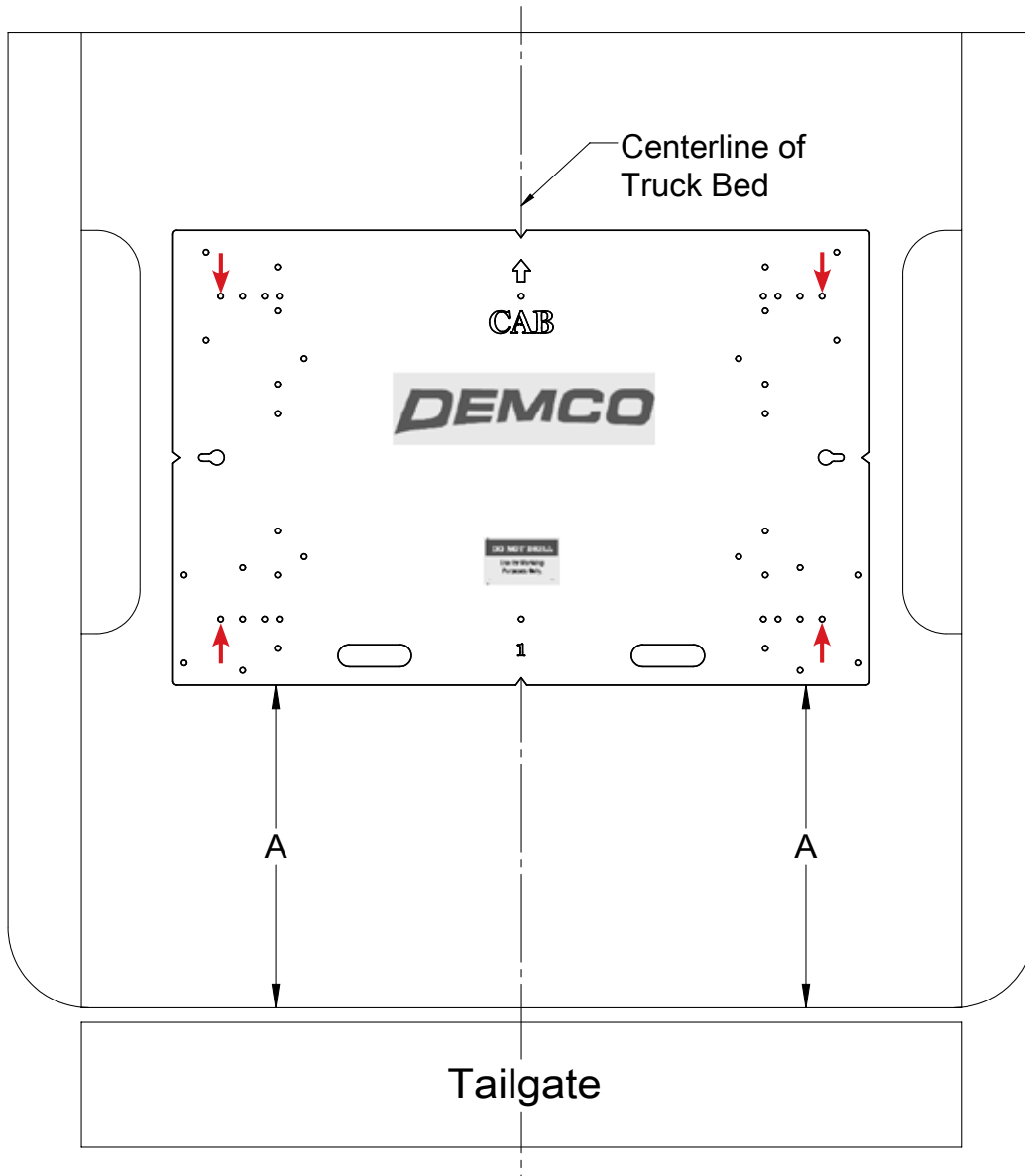
1.
 - a. Completely assemble hitch. See GENERAL INSTRUCTIONS and SAFETY supplied.
 - b. Set hitch into back of truck, center it side to side.
 - c. Measure 32" from back edge of truck box to square hole centers in rear bed rail.
2. Check underneath box at bolt hole locations for any obstructions (frame members, etc.).
3.
 - a. Drill two 5/8" holes thru FRONT BED RAIL, OUTSIDE POSITION, as shown. Drop in two 5/8" x 3 1/2" bolts.
 - b. Drill two holes in REAR BED RAIL, OUTSIDE POSITION. Drop in 5/8" x 3 1/2" bolts.
4.
 - a. Under box, loosely install frame brackets, shim, flat washers and lock nuts onto 5/8" bolts.
 - b. Use the longer 411F frame brackets on front base rail #1 and standard 411 frame brackets on rear base rail #2. Brackets will be bolted onto frame by drilling frame and fishing knurl bolt through frame with a fish wire and attach with hex nut and lock washer on outside of bracket. Use a 1/2" drill for holes.
5.
 - a. BE CAREFUL OF ELECTRIC OR FLUID LINES behind frame members.
 - b. **TIGHTEN ALL BOLTS ACCORDING TO BOLT TORQUE SPECIFICATIONS.**

Installation

Truck Bed Drilling Instructions with Template

1. Place the template in the box and center the template between the wheel wells.
2. **IF NEEDED, TAPE THE TEMPLATE DOWN.**
3. Measure from the back of the box to the template on the passengers side and drivers side to insure that the template is square. See **DRAWING #1** and table for measurements.
4. Locate which holes you will be drilling, by the ones marked with a red arrow.
5. Take a 3/8" locating punch and mark the holes to be drilled.
6. **BEFORE YOU DRILL, MAKE SURE THAT THE TEMPLATE DID NOT MOVE, AND THAT THERE ARE NO OBSTRUCTIONS IN THE WAY.**
7. Remove the template and drill the four marked holes with a 5/8" drill bit.
NOTE: A pilot hole may need to be drilled.
8. Deburr each hole.
9. Touch up the bare metal with some paint that matches the box of the truck.

Truck Bed Drilling Instructions with Template



Drawing #1

BOX LENGTH	DIMENSIONS	MEASUREMENT
NISSAN TITAN		
8'	A	*27-1/2"
*ALL MEASUREMENTS ARE FROM THE BACK OF THE BOX		

DEMCO

4010 320th St., Boyden, IA. 51234

Phone: (712) 725-2311

Fax: (712) 725-2380

Toll Free: 1-800-54DEMCO (1-800-543-3626)

**Demco warranty policies, operator manuals, and product registration
can be found online:**

www.demco-products.com

