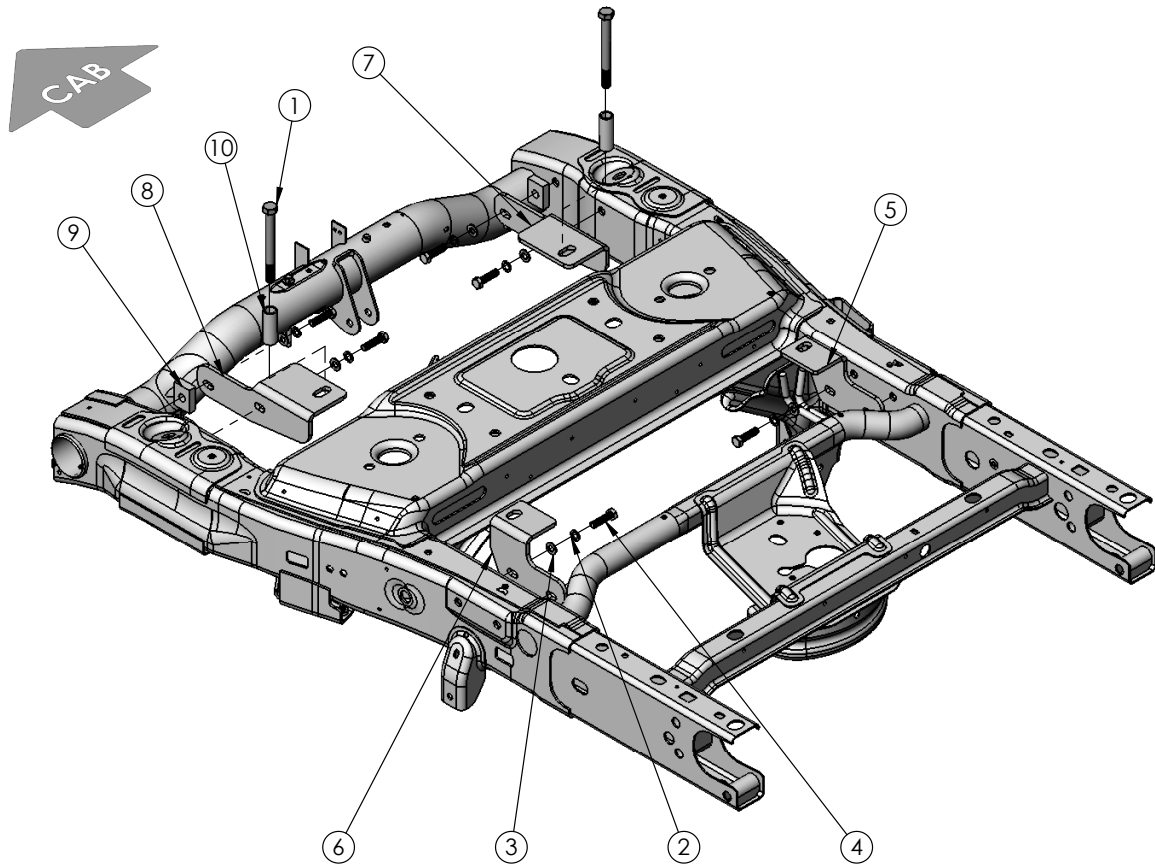


BASEPLATE 8552025

Dodge 2500 4x2 & 4x4 Includes Mega Cab 6-1/2' & 8' Boxes



ITEM	PART #	DESCRIPTION	QTY.
1	01962	BOLT, .625NC X 6 HEX GR.5	2
-	14891	BOLT, .625 NC X 6 CARRIAGE	2
2	07288	WASHER, 12MM LOCK	8
3	07432	WASHER, 12MM FLAT	8
4	14854	BOLT, 12MM-1.5 X 45MM HEX GR.8.8	8
5	14855-76	REAR BRACKET PASSENGER SIDE	1
6	14856-76	REAR BRACKET DRIVER SIDE	1
7	14857-76	FRONT BRACKET PASSENGER SIDE	1
8	14858-76	FRONT BRACKET DRIVER SIDE	1
9	14859-95	SPACER BLOCK	2
10	14860-95	BUSHING	2

Please order replacement parts by **PART NO.** and **DESCRIPTION.**

Installation

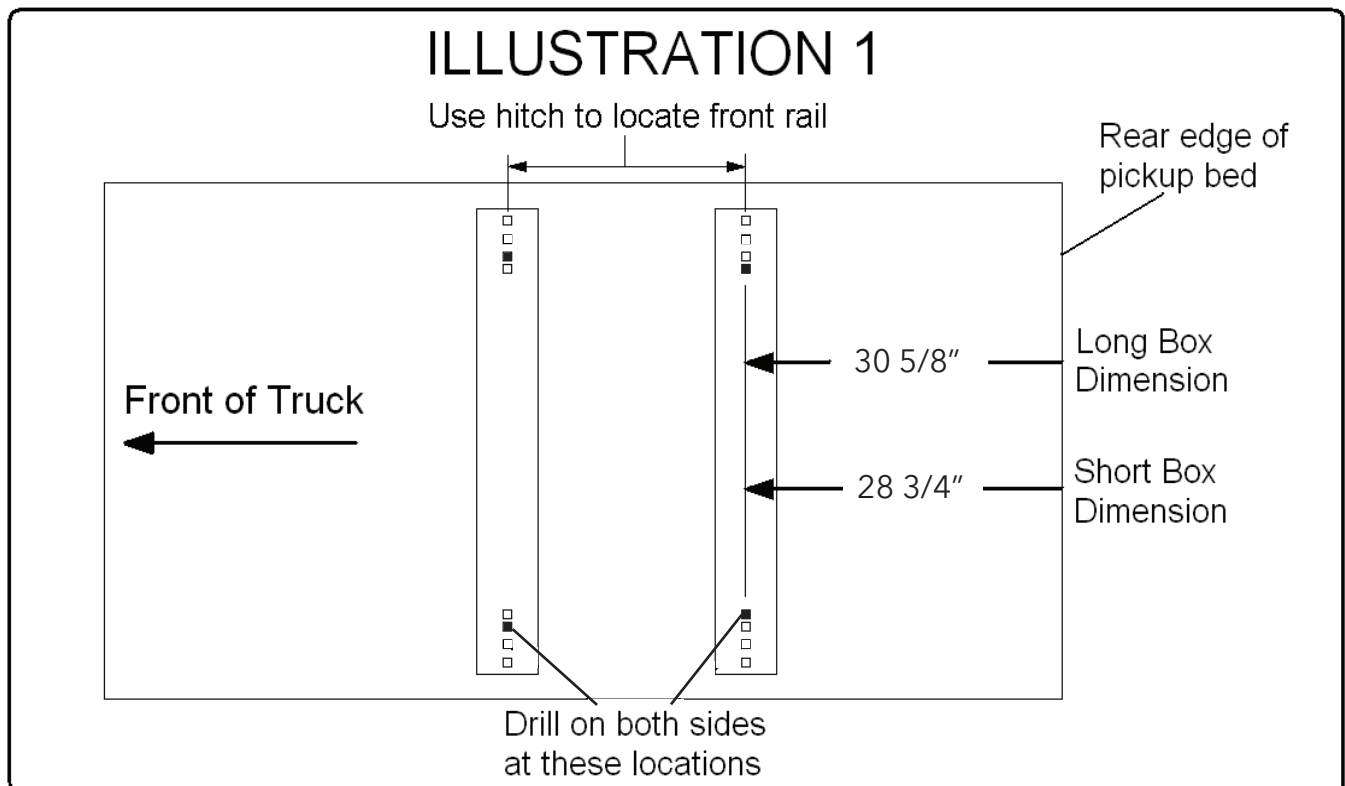
8552025 General Assembly & Installation Instructions

WARRANTY POLICY, OPERATOR MANUALS & REGISTRATION

Go online to www.demco-products.com to review Demco warranty policies, operator manuals and register your Demco product.

BOLT TORQUE SPECIFICATIONS

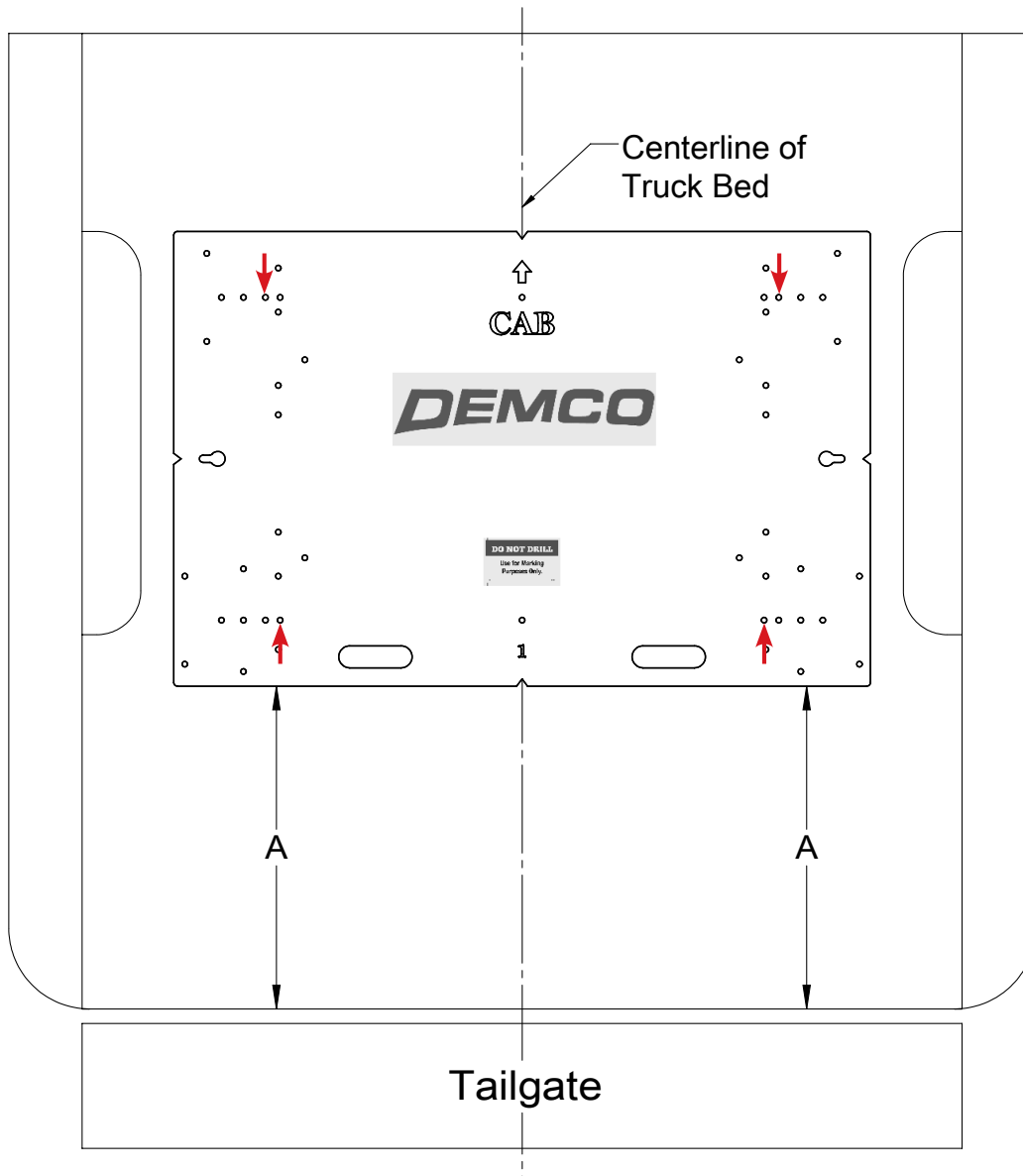
STANDARD BOLTS			METRIC BOLTS		
Size	Grade	Torque	Size	Grade	Torque
5/16"	5	18 ft/lbs.	8mm	8.8	23 ft/lbs.
3/8"	5	30 ft/lbs.	10mm	8.8	45 ft/lbs.
7/16"	5	50 ft/lbs.	12mm	8.8	78 ft/lbs.
1/2"	5	75 ft/lbs.	14mm	8.8	125 ft/lbs.
5/8"	5	150 ft/lbs.	16mm	8.8	160 ft/lbs.
3/4"	5	290 ft/lbs.			



1. a. Completely assemble hitch. See GENERAL INSTRUCTIONS and SAFETY supplied.
b. Set hitch into back of truck, center it side to side.
c. Measure 28 3/4"(short box) or 30 5/8"(long box) from back edge of truck box to square hole centers in rear bed rail.
2. Check underneath box at bolt hole locations for any obstructions (frame members, etc.).
3. a. Drill two 5/8" holes thru FRONT BED RAIL, 3rd HOLE POSITION, as shown.
b. Insert two 5/8" x 6" long hex bolts.
c. Drill two 5/8" holes thru REAR BED RAIL, INSIDE HOLE POSITION. Insert 5/8" x 3" bolts supplied in rail kit.
d. Remove front rail bolts and drill a 1" hole through the bottom of the box support hat on each side for bushing to pass through for front mounting brackets. Place front rail bolts back in to rail.
4. a. Under box, loosely install frame brackets and nuts onto bolts and make sure to place bushings into hat for front brackets.
NOTE: On drivers front bracket unclip wires/hoses from inside of frame to allow bracket to fit flush to frame. Brackets mounted on inside of frame.
b. Press each bracket tight against inside of frame member and using 12MM bolts fasten each bracket to frame using factory threaded hole in the frame. **NOTE:** On front brackets make sure to insert spacer block between frame and bracket on front hole location.
c. **TIGHTEN ALL BOLTS ACCORDING TO BOLT TORQUE SPECIFICATIONS.**

Truck Bed Drilling Instructions with Template

1. Place the template in the box and center the template between the wheel wells.
2. **IF NEEDED, TAPE THE TEMPLATE DOWN.**
3. Measure from the back of the box to the template on the passengers side and drivers side to insure that the template is square. See drawing #1 and table for measurements.
4. Locate which holes you will be drilling, by the ones marked with a red arrow.
5. Take a 3/8" locating punch and mark the holes to be drilled.
6. **BEFORE YOU DRILL, MAKE SURE THAT THE TEMPLATE DID NOT MOVE, AND THAT THERE ARE NO OBSTRUCTIONS IN THE WAY.**
7. Remove the template and drill the four marked holes with a 5/8" drill bit.
NOTE: A pilot hole may need to be drilled.
8. Deburr each hole.
9. Touch up the bare metal with some paint that matches the box of the truck.



Drawing #1

BOX LENGTH	DIMENSIONS	MEASUREMENT
5-1/2'	A	*N/A
6-1/2'	A	*24-1/4"
8'	A	*26-1/8"
*ALL MEASUREMENTS ARE FROM THE BACK OF THE BOX		

DEMCO

4010 320th St., Boyden, IA. 51234

Phone: (712) 725-2311

Fax: (712) 725-2380

Toll Free: 1-800-54DEMCO (1-800-543-3626)

**Demco warranty policies, operator manuals, and product registration
can be found online:**

www.demco-products.com

