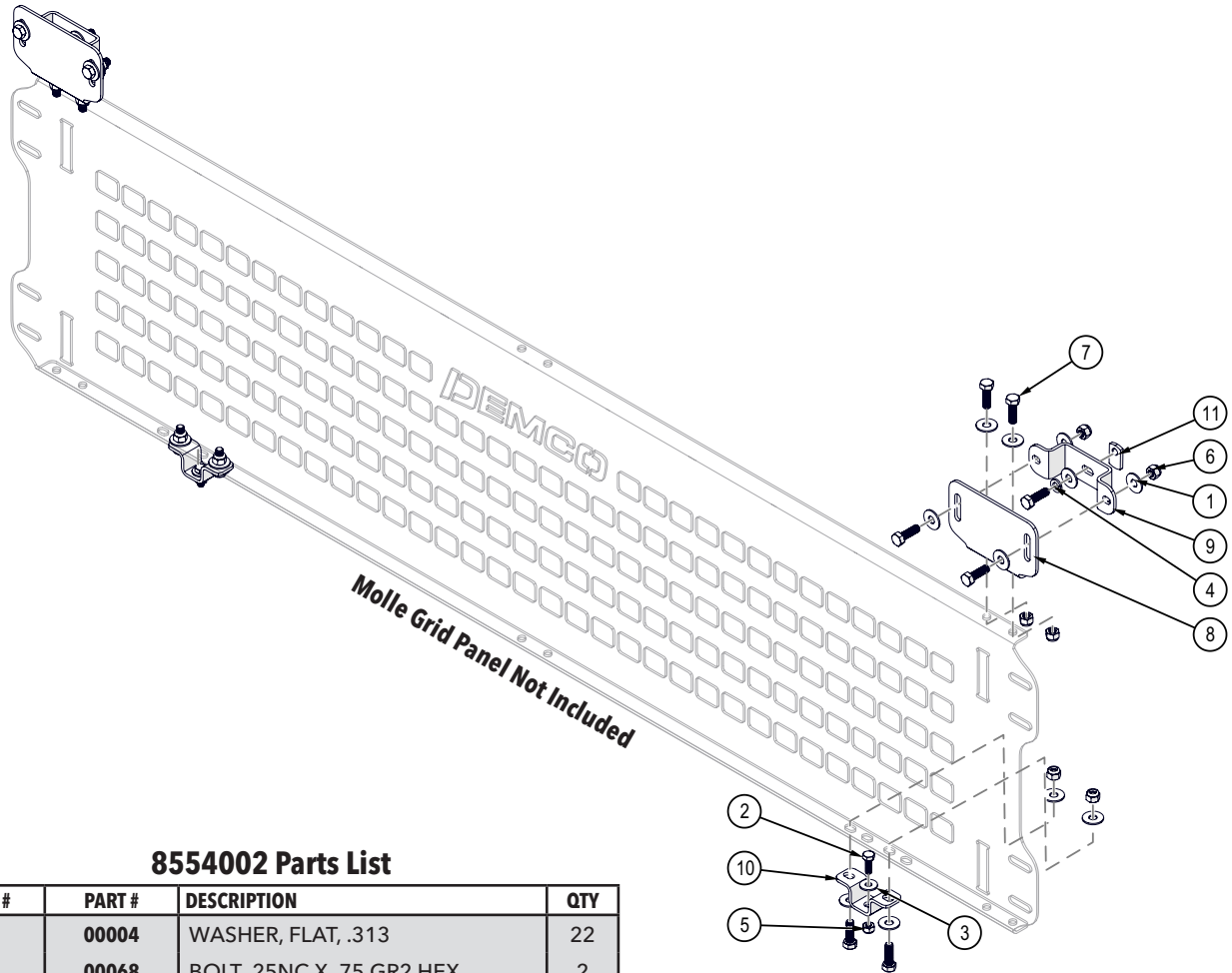
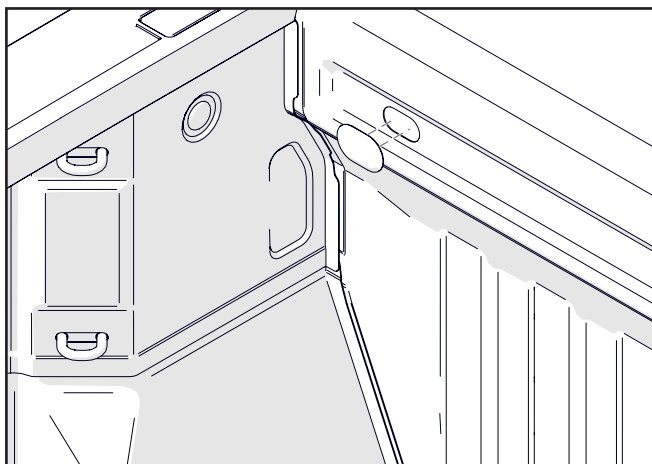


MOLLE GRID SYSTEM MOUNTS FOR GM 2500 - 3500 8554002

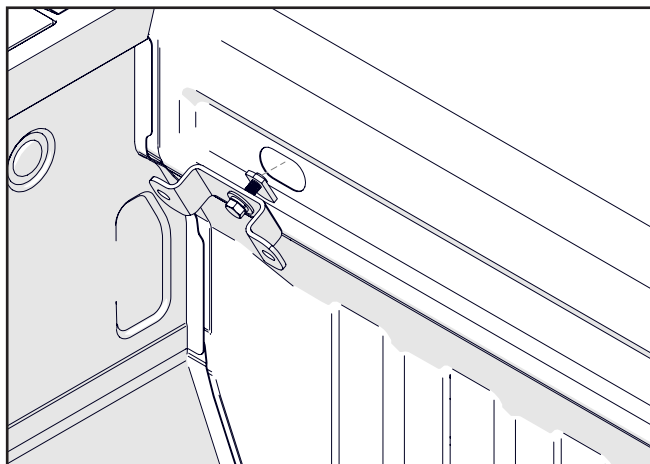


8554002 Parts List

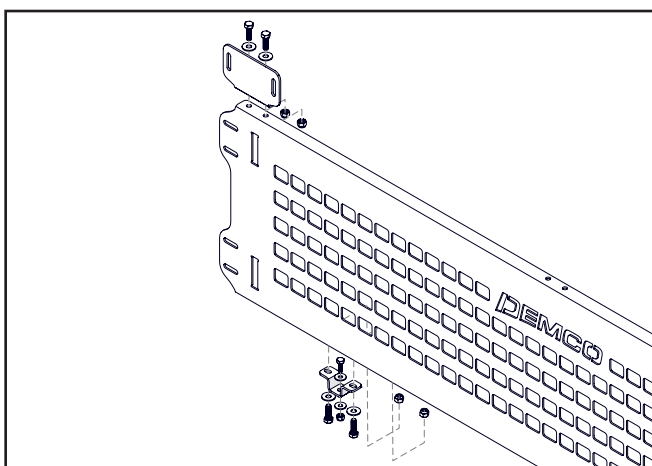
ITEM #	PART #	DESCRIPTION	QTY
1	00004	WASHER, FLAT, .313	22
2	00068	BOLT .25NC X .75 GR2 HEX	2
3	00214	WASHER, FLAT, .25	4
4	01997	WASHER, SPRING LOCK .313	2
5	02772	NUT, .25NC LOCK NYLON INSERT	2
6	02802	NUT, .313 NC NYLON LOCK	12
7	02990	BOLT .313NC X 1.00 GR5 HEX	14
8	18728-72	GM TOP MOUNT	2
9	18729-72	BED MOUNTING PLATE	2
10	18730-72	BOTTOM SUPPORT F/GM	2
11	18836	.313 THREADED SS PLATE	2



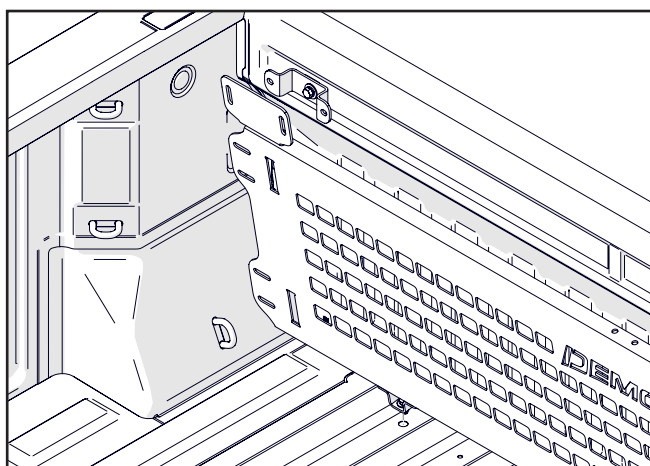
1. Remove the outside box plug on each side.



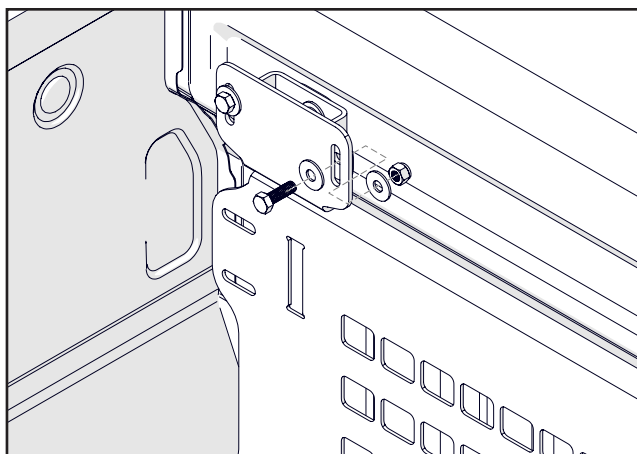
2. Install the 5/16" bolt, lock washer and the threaded plate loosely to the upper mounts. Insert the threaded plate into the upper box hole. Center mount with box hole and tighten.



3. Fasten molle grid to the box mounts using the 5/16" bolts, flat washers and nuts, as shown above. Install the 1/4" bolt, washers and nut to the bottom mount as shown. Always put washers on the slotted holes. The bottom mounts will need to be measured in to the right spacing by measure the hole spacing in the pickup box. Measure the larger holes in the floor of the box, one side maybe a smaller hole.



4. The bottom mount with the 1/4" bolt and nut will fit into the larger box holes, if one side is a small hole, it can be drilled out to a 1/2" hole. If you don't want to drill into your box remove the 1/4" bolt assembly and rest the mount on the floor of bed. You may need to mount the hitch base on side of the bigger hole.



5. Once everything is in position, make sure 5/16" fasteners are tighten to 18 ft/lbs.