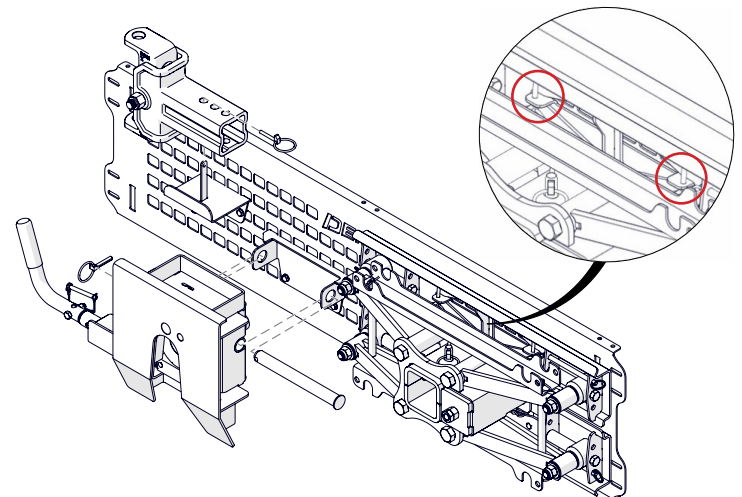
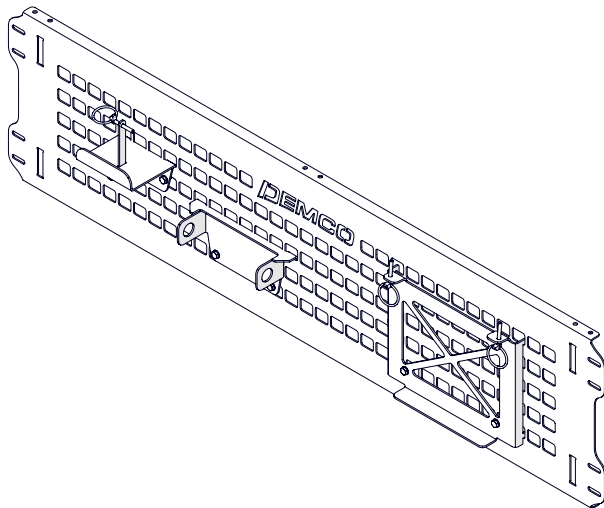
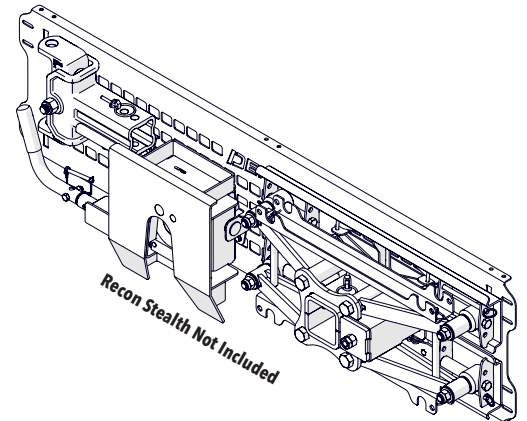
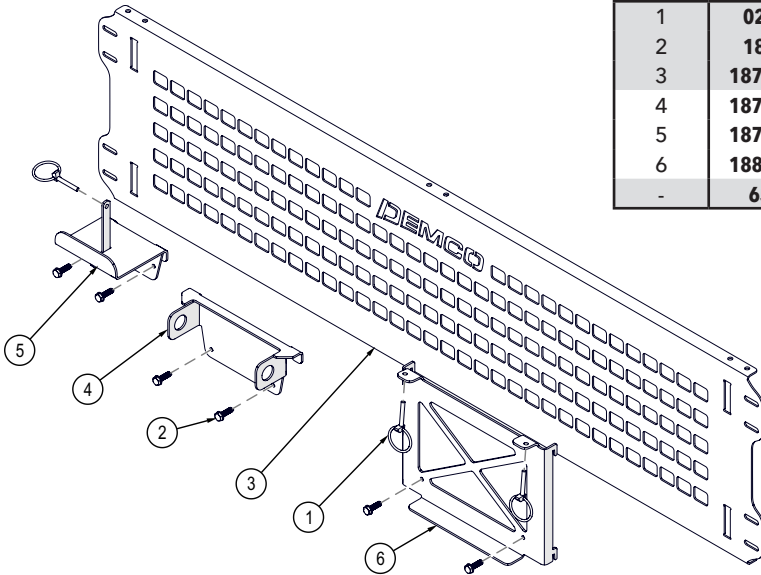


MOLLE GRID SYSTEM WITH RECON STEALTH HITCH MOUNTS 8554004

8554004 Parts List

ITEM #	PART #	DESCRIPTION	QTY
1	02397	LYNCH PIN	3
2	18253	BOLT 5/16" NC X 1.00 HEX SELF TAPPING	6
3	18712-72	MOLLE FRONT BOX PANEL	1
4	18714-72	HEAD MOUNT	1
5	18715-72	UPRIGHT MOUNT	1
6	18818-72	MOLLE HITCH MOUNT	1
-	6528	MOLLE HITCH MOUNTS W/O MOLLE GRID	-



1. Install hitch mounts on molle grid as shown above as a good starting point. May need to test fitted with hitch. Once the mounts are in position, install the 5/16" self-tapping bolts to secure mounts.

2. Install the Recon Stealth (Not Included) in the mounts as shown. Make sure upright is installed with the nut side facing out to prevent interference with the molle grid. Install the hitch head using the head pin to secure it to the head mount. The hitch base has flat areas in the base pads that fit over the mount tabs. The locking pins work best by installing them up from the bottom of the tabs.