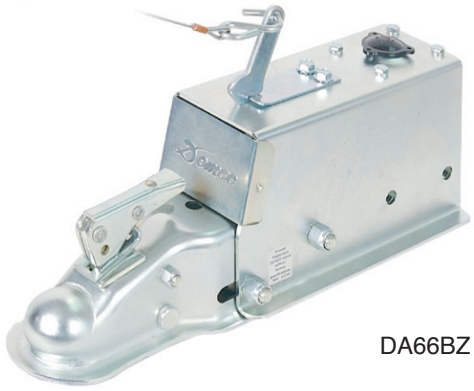
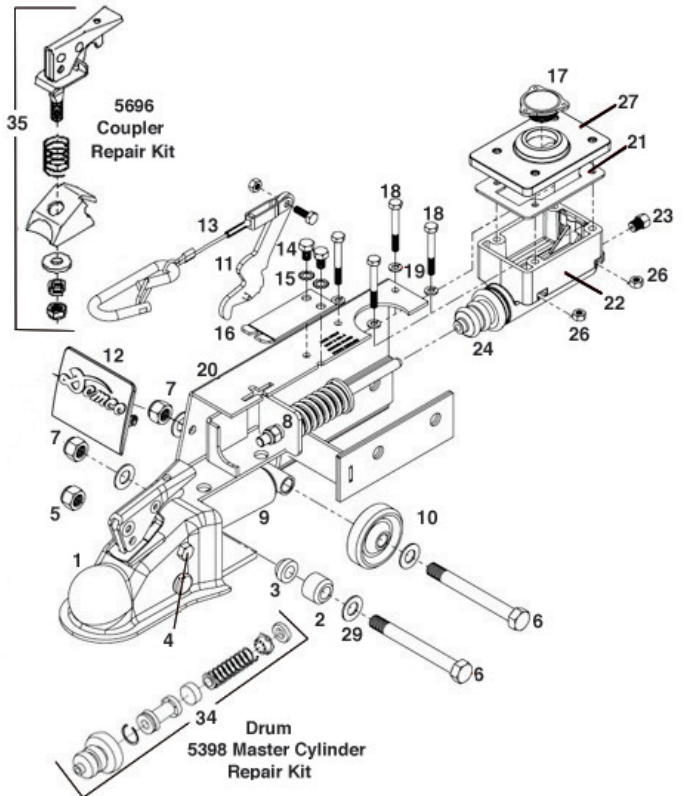


Model DA66

6,000 lb



DA66BZ



Ref. No.	Part No.	Description	Qty. Req.	Ref. No.	Part No.	Description	Qty. Req.
1	35620	2" Coupler DA66 (includes 5696, 05692X)	1	22	5672	Master cylinder disc kit (includes 17,18,19,21,22,24,26,27)	1
2	23278	Roller inner	2	23	05679X	.125 Full orifice	1
3	12151	Front roller spacer	2	24	05687X	Master cylinder protective boot	1
4	B384G5ZC	3/8"-16UNC X 4" Hex head bolt gr.5	1	26	HN14G5ZC	1/4-20UNC nut	4
5	07176X	3/8"-16UNC Stover lock nut	1	27	12557	Master cylinder cover plate	1
6	05684X	1/2"-13UNC x 4-7/16" Hex head bolt gr.5	2	28	12546-95	2" EZ-Latch coupler plated - DA86	1
7	NLN12G2ZC	1/2"-13UNC Nylon insert lock nut	2	29	FW12Z	1/2" Flat washer	4
8	12193	Push rod assembly	1	30	12548-95	Front cover - DA86	1
9	05692X	Dampener / Shock	1	31	B5160625G5ZC	5/16"-18UNC x 5/8" bolt	2
10	12103	Rear roller spacer	2	32	12547-95	Outer case plated - DA86	1
11	05951X	Emergency lever	1	32	12547-30	Outer case black - DA86	1
12	12187	Front cover composite black - DA66	1	33	03866-95	Emergency lever guide	1
13	12200	28" Break away cable, includes bolt & nut	1		RLBS	Inline reverse lockout solenoid (not shown)	1
14	17815	5/16"-18UNC x 1/2" Self-tapping screw	2		11674	Solenoid cover (not shown)	1
15	05424X	5/16" External tooth lock washer	2		07283X	10 mm Flat washer (not shown)	1
16	05693-95	Emergency lever spring	1	34	5398	Master cylinder repair kit w/gasket for drum brakes	-
17	03876X	Master cylinder cap w/diaphragm & O-ring	1	35	5696	2" Coupler repair kit for DA66 (lever lock)	-
18	B142G5ZC	1/4-20UNC x 2.00" W hex head bolt	4	36	5482D	Master cylinder repair kit w/gasket for disc brakes	-
19	LW14Z	1/4" Spring lock washer	4	37	5876	2" Coupler repair kit for DA86 (EZ-latch)	-
20	12191-95	Outer case - DA66	1				
21	09153X	Replacement master cylinder gasket ONLY	1				
22	05680X	Master cylinder drum kit (includes 17,18,19,21,22,24,26,27)	1				