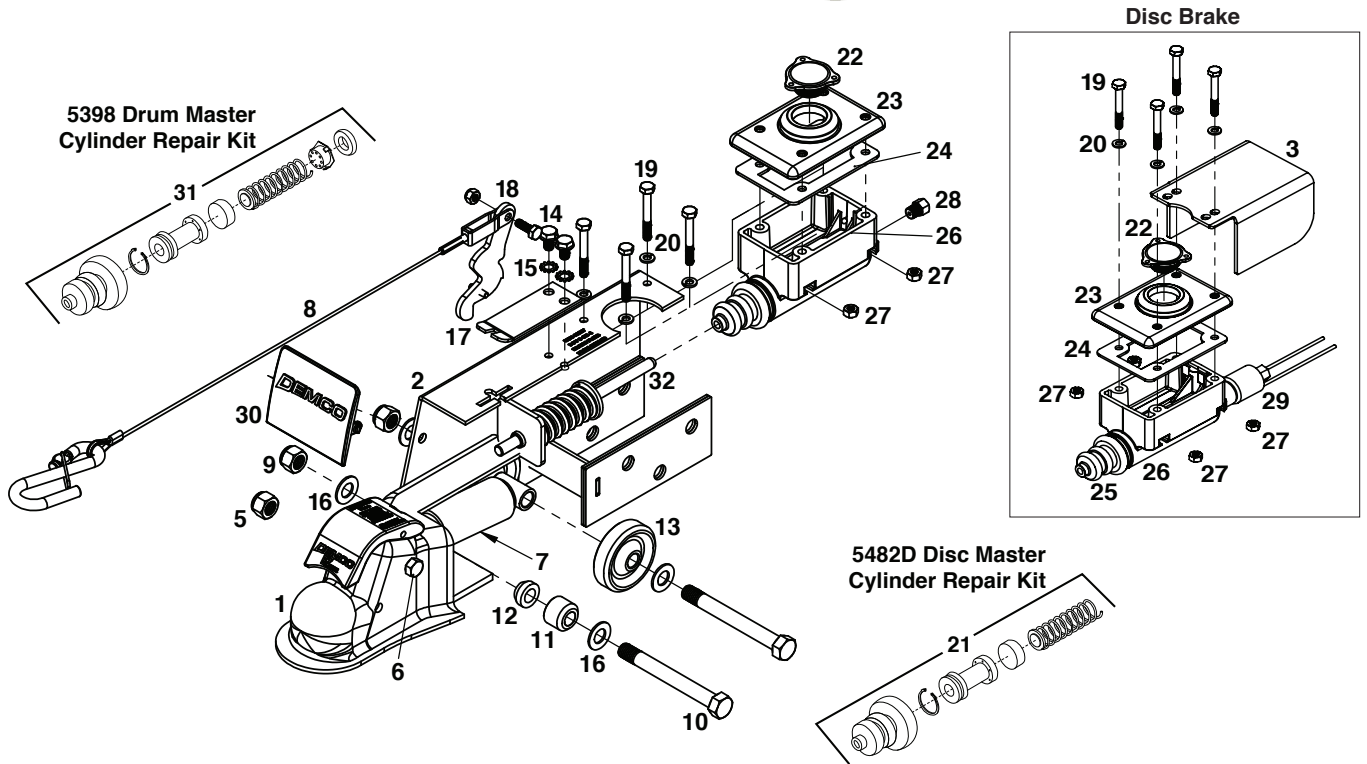


Model DA70 - 7,000 lb



Ref. No.	Part No.	Description	Qty. Req.
1	35906	7000 lb 2" Coupler with shock	1
2	17236-95	DA70 Outer case	1
3	12267-95	Solenoid cover for DISC	1
4	BD21001	Decal - Disc brake actuator	1
5	07176X	3/8"-16UNC Stover lock nut	1
6	B384G5ZC	3/8"-16UNC x 4" Hex head bolt gr. 5	1
7	05692X	Dampner / shock	1
8	12200	28" Break-away cable, includes bolt & nut	1
9	NLN12G2ZC	1/2"-13UNC Nylon insert lock nut	2
10	05684X	1/2"-13UNC x 4-7/16" Hex head bolt gr. 5	2
11	23278	Roller inner	2
12	12151	Front roller spacer	2
13	12103	Rear roller spacer	2
14	17815	5/16"-18UNC x 1/2" Self-tapping screw	2
15	12489	5/16" External tooth lock washer	2
16	FW12Z	1/2" Flat washer	4
17	05693-95	Emergency lever spring - zinc plated	1
18	05951X	Emergency lever - zinc plated	1

Ref. No.	Part No.	Description	Qty. Req.
19	B142G5ZC	1/4"-20 x 2" Hex head bolt gr. 5	4
20	LW14Z	1/4" Spring Lock Washer	4
21	5482D	Master cylinder repair kit with gasket for disc brakes	-
22	03876X	Master cylinder cap with diaphragm & O-ring	1
23	12557	Master cylinder cover plate	1
24	17434	Replacement master cylinder gasket ONLY	1
25	05687X	Master cylinder protective boot	1
26	05680X	Master cylinder with gasket for drum brakes (includes 19, 20, 22, 23, 24, 25, 27)	1
26	5672	Master cylinder with gasket for disc brakes (includes 19, 20, 22, 23, 24, 25, 27)	1
27	HN14G5ZC	1/4"-20 Hex nut	4
28	05679X	1/8" Pipe-3/16" inverted flare fitting w/1/8" orifice	1
29	RLBS	Reverse lock out solenoid - DISC	1
30	12187	Demco logo front cover	1
31	5398	Master cylinder repair kit with gasket for drum brakes	-
32	12193	Push rod assembly	1
	6109	Coupler repair kit 2" composite	-