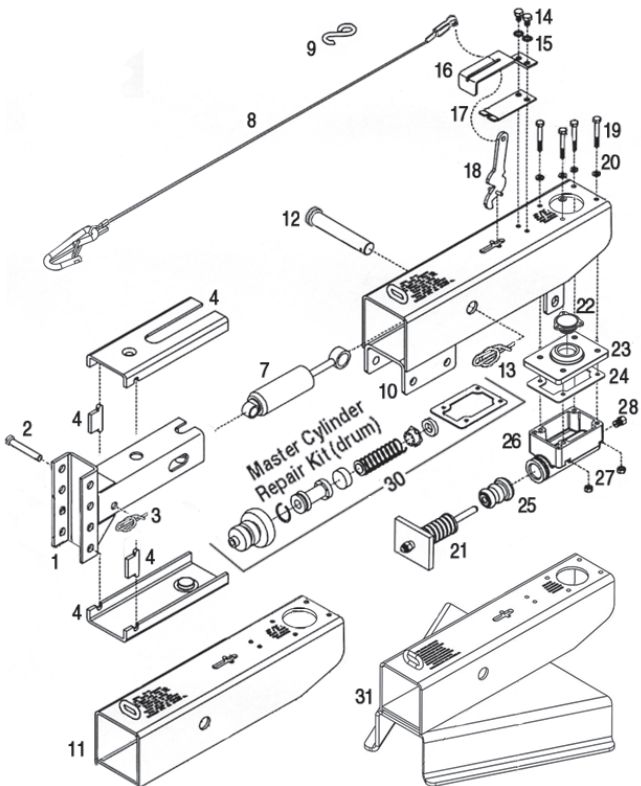
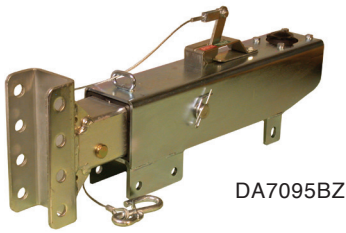


Model DA91 - 8,000 lb

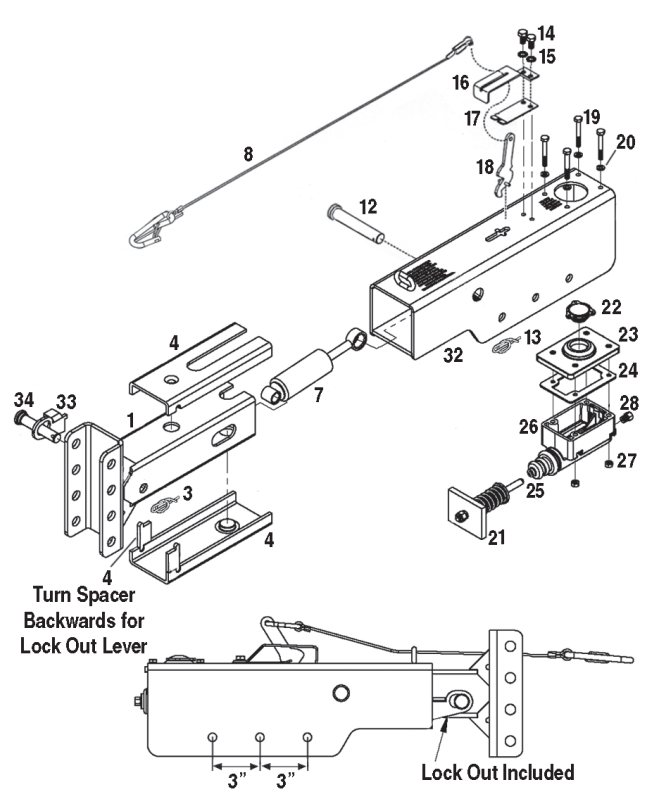
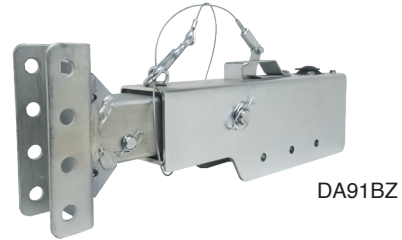
DEMCO



Ref. No.	Part No.	Description	Qty. Req.
1	03734-95	Centered clevis channel - zinc plated	1
1	03734-97	Centered clevis channel - primed	-
2	05426X	Front shock pin (channel & drop tube)	1
3	12396	Rue ring lock, cotter pin for .63 pin	1
4	5942	Wear pad kit DA91	1
7	12426	Damper shock	1
8	05408X	3/32" Cable with hook & yoke	1
9	10555	Actuator S-hook ONLY (old style)	-
10	11164-95	Bolt on outer case - zinc plated	1
11	11101X	Weld on outer case - primed	-
12	05986X	Connecting pin - zinc plated	1
13	12397	Rue ring lock, cotter pin for .88 pin	1
14	B5160625G5ZC	5/16"-18 x 5/8" Hex head bolt gr. 5	2
15	12489	5/16" External tooth lock washer	2
16	03866-95	Emergency lever guide - zinc plated	1
17	05693-95	Emergency lever spring - zinc plated	1
18	05951X	Emergency lever - zinc plated	1
19	B142G5ZC	1/4"-20 x 2" Hex head bolt gr. 5	4
20	LW14Z	1/4" Lock washer	4

Model DA91- 8,000 lb

DEMCO



Ref. No.	Part No.	Description	Qty. Req.
21	07132X	Push rod	1
22	03876X	Master cylinder cap with diaphragm & O-ring	1
	05849X	O-ring only (not shown)	-
23	12557	Master cylinder cover plate	1
24	17434	Replacement master cylinder gasket ONLY	-
25	05687X	Master cylinder protective boot	1
26	05680X	Master cylinder with gasket for drum brakes (includes 19, 20, 22, 23, 24, 25, 27)	1
26	5672	Master cylinder with gasket for disc brakes (includes 19, 20, 22, 23, 24, 25, 27)	-
27	HN14G5ZC	1/4" - 20 Hex nut	4
28	05679X	1/8" Pipe -3/16" inverted flare fitting w/1/8" orifice	1
28	12098	1/8" Pipe -3/16" inverted flare fitting w/1/64" orifice	1
28	SB12099	1/8" Pipe -3/16" inverted flare fitting w/1/32" orifice	1
30	5398	Master cylinder repair kit for drum brakes	-
31	11163-97	Outer case with 50° mount - primed	1
32	13533-95	Outer case with 3 bolt mount - zinc plated	1
33	13592-10	Lock out lever	1
34	13593-95	Lock out pin, front shock	1