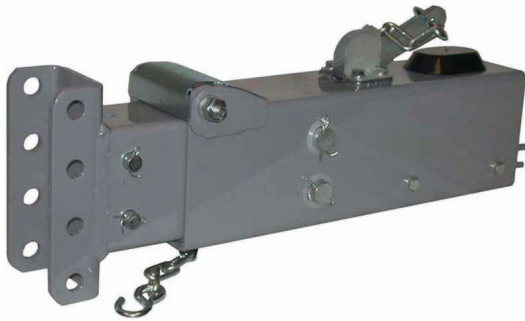
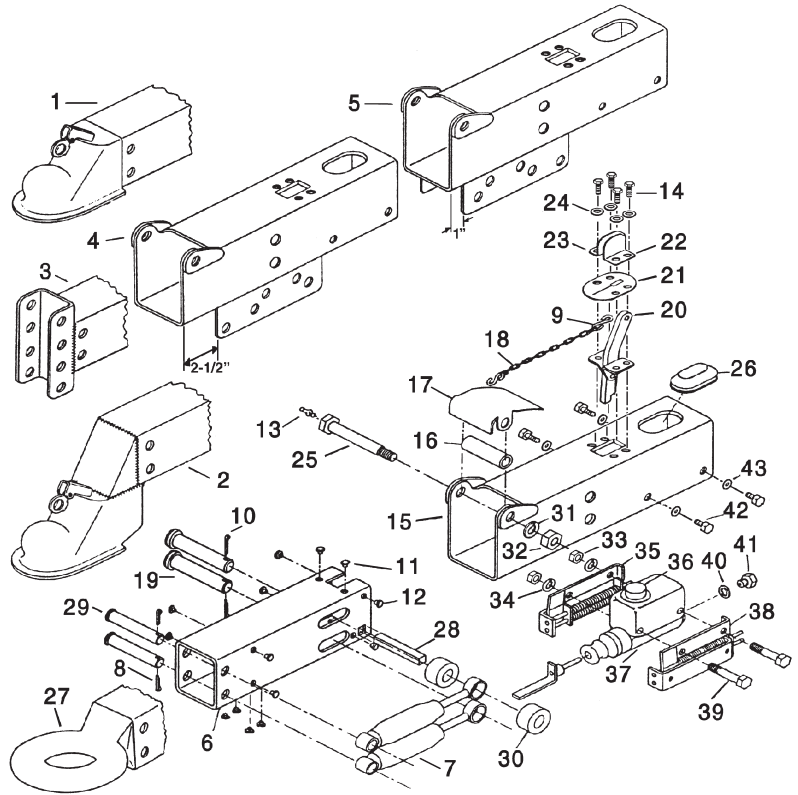


TITAN BRAKE ACTUATOR PARTS LIST

Model 10
12,500 lb



16089



Ref. No.	Part No.	Description	Qty. Req. Model 10/20	Ref. No.	Part No.	Description	Qty. Req. Model 10/20
1	16084	Inner slide w/2-5/16" ball coupler	1/0	33	HN38G5ZC	3/8"-16 Hex nut	2/2
2	16784	Inner slide w/drop 2-5/16" ball coupler	1/0	34	12552	Lockwasher 3/8" external star	2/2
3	16087	Inner slide with channel	1/0	35	8388	Cylinder bracket assembly - right	1/1
4	16568	Bolt on outer case w/2-1/2" offset	1/0	36	12503	Master cylinder cap (included in 23744)	1/1
5	16855	Bolt on outer case w/1" offset	1/0	37	23744	Master cylinder drum brake	1/1
6	15933	Inner slide	1/0			Includes push rod & cap	
7	12426	Damper shock	2/0	37	4747100	Master cylinder disc brake	1/1
8	CP18	Cotter pin 1/8" x 1-1/2"	2/5			Includes push rod & cap	
9	10555	Actuator S-Hook ONLY	2/2	38	8389	Cylinder bracket assembly - left	1/1
10	CP316	Cotter pin 3/16" x 1-1/4"	2/0	39	B383G5ZC	3/8"-16 x 3" Hex head bolt gr. 5	2/2
11	10209	Nylon wear button (top & bottom) .125" thick	6/0	40	7745	Connector gasket	1/1
12	12427	Nylon wear button (side) .075" thick	8/0	41	12099	Connector (old) 1/2" threads (req. 7745 gasket)	1/1
13	1449-01	Grease fitting	1/4	41	12098	Connector (new) 3/8" threads (no gasket req.)	1/1
14	B5160625G5ZC	5/16"-18 x 5/8" Hex head bolt gr. 5	4/6	41	05679X	Connector for disc 1/8" orifice	1/1
15	16016	Outer case	1/0	42	B51605G5ZC	5/16"-18 x 1/2" Hex head bolt gr. 5	4/4
16	16019	Front roller	1/2	43	12489	Lockwasher 5/16" external star	4/4
17	16018	Front roller cover	1/0	44	12788	Inner slide w/2-5/16" coupler	0/1
18	7768	Breakaway chain (no hooks)	1/1	45	17350	Inner slide w/2-5/16" drop coupler	0/1
19	15935	Master pin	2/0	46	10582	Inner slide with channel	0/1
20	10541	Breakaway lever	1/1	47	8295	Rear roller bolt 5/8"-18 x 5"	0/1
21	10552	Weather seal	1/1	48	8297	Spacer	0/3
22	10526	Breakaway lock - left	1/1	49	15563	Inner slide	0/1
23	10527	Breakaway lock - right	1/1	50	8298	Damper bar	0/2
24	LW516Z	Lockwasher 5/16"	4/6	51	HSN58	Slotted nut 5/8"-18	0/3
25	8288	Front roller bolt 5/8" x 4-3/8" x 1/2" - 13	1/2	52	8284	Centering rail	0/1
26	15070	Cylinder cover	1/1	53	3328	Spacer	0/1
27	16086	Inner slide w/3" lunette eye	1/0	54	10553	Outer case	0/1
28	8301	Push rod block	1/1	55	8289	Front roller cover	0/1
29	15934	Damper pin	2/0	56	8294	Rear roller bolt 5/8"-18 x 5"	0/2
30	8291	Rear roller	2/6	57	12976	Inner slide with 3" lunette eye	0/1
31	LW12Z	Lockwasher 1/2"	1/2	58	7784	Damper shock	0/2
32	HN12G5ZC	1/2"-13 Hex nut	1/2				