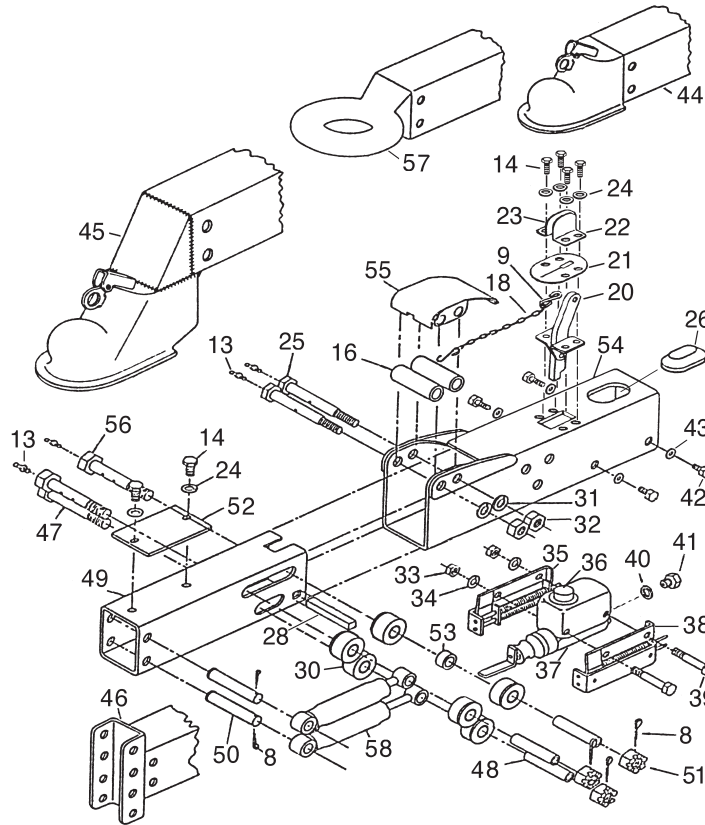




# SURGE ACTUATORS Model DX20EX - 20,000 lb

HYDRAULIC SURGE BRAKE ACTUATION



Ref. No.	Part No.	Description	Qty. Req.	Ref. No.	Part No.	Description	Qty. Req.
1	16084	Inner slide with 2-5/16" ball coupler	0	31	LW12Z	Lockwasher 1/2"	2
2	16784	Inner slide with drop 2-5/16" ball coupler	0	32	HN12G5ZC	1/2"-13 Hex nut	2
3	16087	Inner slide with channel	0	33	HN38G5ZC	3/8"-16 Hex nut	2
4	16568	Bolt on outer case with 2-1/2" offset	0	34	12552	Lockwasher 3/8" external star	2
5	16855	Bolt on outer case with 1" offset	0	35	8388	Cylinder bracket assembly - right	1
6	15933	Inner slide	0	36	12503	Master cylinder cap (included in 23744)	1
7	12426	Damper shock	0	37	23744	Master cylinder drum brake Includes push rod and cap	1
8	CP18	Cotter pin 1/8" x 1-1/2"	5	37	4747100	Master cylinder disc brake Includes push rod and cap	1
9	10555	Actuator S-hook ONLY	2	38	8389	Cylinder bracket assembly - left	1
10	CP316	Cotter pin 3/16" x 1-1/4"	0	39	B383G5ZC	3/8"-16 x 3" Hex head bolt gr. 5	2
11	10209	Nylon wear button (top & bottom) .125" thick	0	40	7745	Connector gasket	1
12	12427	Nylon wear button (side) .075" thick	0	41	12098	Connector (new) 3/8" threads (no gasket req.)	1
13	1449-01	Grease fitting	4	41	05679X	Connector for disc 1/8" orifice	1
14	B5160625G5ZC	5/16"-18 x 5/8" Hex head bolt gr. 5	6	42	B51605G5ZC	5/16"-18 x 1/2" Hex head bolt gr. 5	4
15	16016	Outer case	0	43	12489	Lockwasher 5/16" external star	4
16	16019	Front roller	2	44	12788	Inner slide with 2-5/16" coupler	1
17	16018	Front roller cover	0	45	17350	Inner slide with 2-5/16" drop coupler	1
18	7768	Break-away chain (no hooks)	1	46	10582	Inner slide with channel	1
19	15935	Master pin	0	47	8295	Rear roller bolt 5/8"-18 x 5"	1
20	10541	Break-away lever	1	48	8297	Spacer	3
21	10552	Weather seal	1	49	15563	Inner slide	1
22	10526	Break-away lock - left	1	50	8298	Damper bar	2
23	10527	Break-away lock - right	1	51	HSN58	Slotted nut 5/8"-18	3
24	LW516Z	Lockwasher 5/16"	6	52	8284	Centering rail	1
25	8288	Front roller bolt 5/8" x 4-3/8" x 1/2" - 13	2	53	3328	Spacer	1
26	15070	Cylinder cover	1	54	10553	Outer case	1
27	16086	Inner slide with 3" lunette eye	0	55	8289	Front roller cover	1
28	8301	Push rod block	1	56	8294	Rear roller bolt 5/8"-18 x 5"	2
29	15934	Damper pin	0	57	12976	Inner slide with 3" lunette eye	1
30	8291	Rear roller	6	58	7784	Damper shock	2