

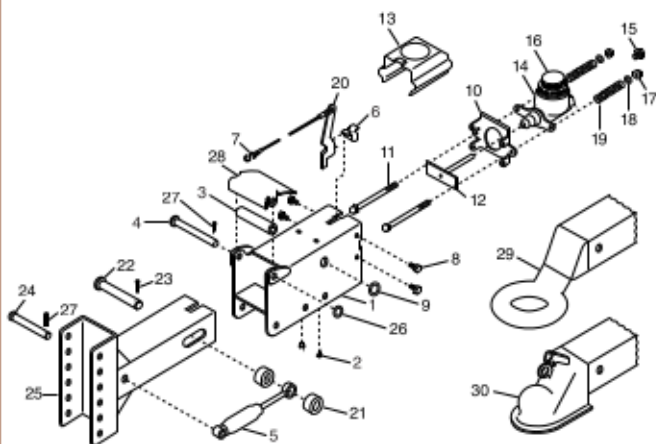
Dexter Brake Actuators |

Model DX 8.0 - 6,000 - 8,000 lb



SURGE ACTUATORS

HYDRAULIC SURGE BRAKE ACTUATOR



Ref. No.	Part No.	Description	Qty. Req.
1	24801Z	Outer case	1
2	10209	Nylon wear button (top & bottom) .125" thick	2
3	17763	Front roller	1
4	17766	Front roller pin	1
5	12426	Damper shock	1
6	17803	Break-away spring	1
7	10555	Actuator S-hook ONLY - part of 43593	1
8	17815	Hex bolt 5/16" x 1/2" self tapping	4
9	18619	Nylon washer 7/8"	1
10	17762	Cylinder mounting plate	1
11	B385G5ZC	3/8" x 5" Hex head bolt gr. 5	2
12	43905	Push rod	1
13	18066	Cover	1
14	10271	Master cylinder	1
15	12098	1/8" Pipe - 3/16" inverted flare with 1/64" orifice	1
16	17556	Master cylinder cap	1
17	HN38G5ZC	3/8"-16 Hex nut	2
18	FW38Z	Washer 3/8"	2
19	10274	Spring	2
20	43593	Break-away lever with pin, cable and S-hook	1
21	8291	Rear roller	2
22	17773	Master pin	1
23	CP316	Cotter pin 3/16"	1
24	17772	Damper pin	1
25	68-334	Inner slide with 6 hole channel	1
26	18316W	Nylon washer 5/8"	1
27	CP18	Cotter pin 1/8" x 1-1/2"	2
28	17767	Front roller cover 6,000 lb	1
29	40456	Inner slide with 3" lunette eye	1
30	40677	Inner slide with 2-5/16" ball coupler	1
	18487	2-5/16" Ball coupler repair kit (not shown)	1