



# 12,000 lb Square Jack

## Read, Understand, Follow and Save These Instructions

- Read, understand and follow all instructions before installing and using this product. Never allow anyone unfamiliar with the operating instructions to use this product.
- Read, understand and follow all instructions provided by the manufacturer of the product(s) that this product will be installed on.
- Installation of this product must conform to the following mounting instructions only.
- Save these instructions for use as a reference in the future.



## WARNING

Failure to follow these warnings and instructions may result in property damage, serious bodily injury, and/or death.

- Purchaser/owner must ensure that product is installed according to these instructions. Purchaser/owner must not alter or modify product.
- Operator and bystanders should never position any part of body under any portion of this product or the load being supported.
- Fully retract and/or rotate jack before towing.
- When using the drop leg, make certain the drop leg pin is fully inserted before using the jack.
- Do not allow children to play on or around this product or the load being supported.
- Secure the load, vehicle and trailer from rolling (by blocking wheels) when operating jack or coupling trailer.
- Jack capacity is limited to the lesser of the jack, footplate, or caster wheel capacity.
- Never exceed maximum rated capacity. Refer to stamped markings or decals on product to obtain rated capacity. If uncertain, contact Cequent Performance Products at 1-800-521-0510 or www.cequentgroup.com
- These jacks are designed for vertical loading. Excessive side forces may cause jack failure and must be avoided.
- If this product has a pivot tube mount, make certain the pivot pin is fully inserted through both sides on the pivot tube and the pivot mount.
- If this product has a drop leg, never attempt to adjust the drop leg when the jack is under load.
- These jacks are designed for mounting to flat surfaces only.
- Keep clear of pinch point at drop leg pin. The drop leg will naturally drop or retract very quickly depending on model.
- Keep clear of holes in drop leg.
- All welding must be performed by an AWS certified welder.
- Always replace bent, broken, or worn parts before using this product.

## Installation Instructions

Warning: Failure to follow these warnings and instructions may result in property damage, serious bodily injury, and/or death.

Before mounting the jack confirm that there will be no interference from the tow vehicle, tongue, ground, and any other mounted accessories while stationary or in motion. Before installing, check for interference in all positions including handle swing (in both gears, if applicable) and swivel positions if applicable. Check for interference again after installation is complete.

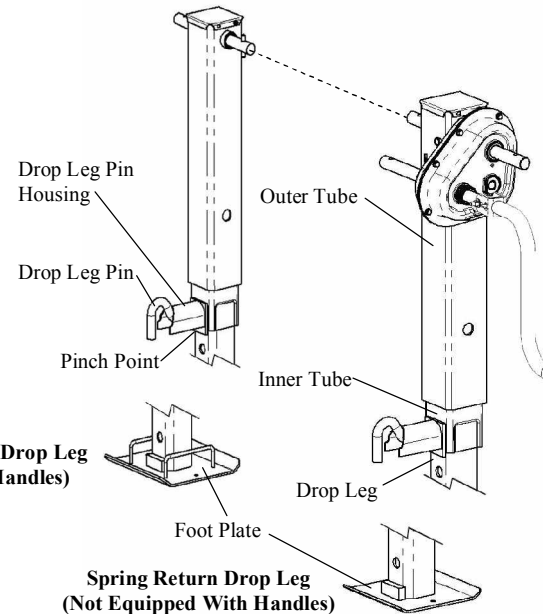
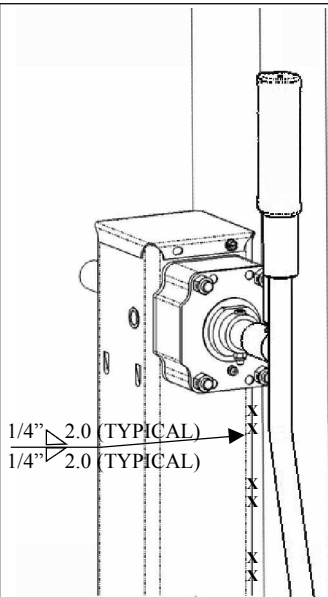
### Direct Mount to Load-Bearing Member:

- 1) All welding must be performed by an AWS certified welder.
- 2) Three 2" long 1/4" fillet welds must be placed on both sides of the jack along the contacting surface. The welds should be as far apart as possible to maximize strength under load.
- 3) If mounting in a tandem application, align the jacks carefully so they raise and lower together and share the load equally.

### 2-Speed Shift Pattern:

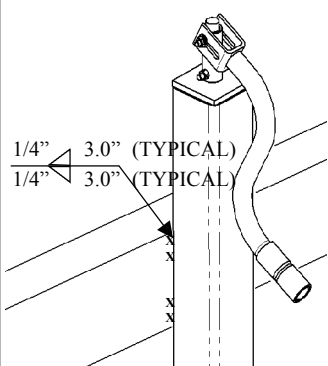
The jack handle moves 5/8"-3/4" while shifting. This clearance must be accounted for during installation.

- High gear is engaged when the shaft is pushed in.
- Low gear is engaged when the shaft is pulled out.



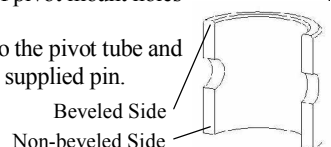
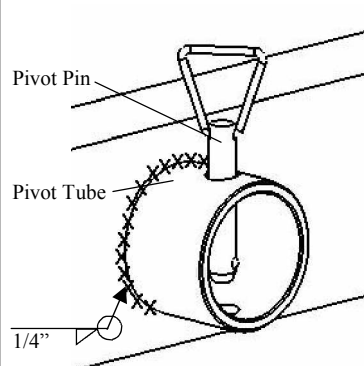
### Direct-Mount:

- 1) All welding must be performed by an AWS certified welder.
- 2) Place the jack at the desired location. Weld 3" in 2 locations on both sides of the jack using a 1/4" fillet



### Weld-on Pivot Tube Mounting Instructions:

- 1) All welding must be performed by an AWS certified welder.
- 2) The non-beveled side of the pivot tube is welded to the tongue.
- 3) Place the weld-on pivot tube against the tongue and weld all around with a 1/4" fillet weld. Align one set of pivot mount holes vertically.
- 4) Mate the jack to the pivot tube and secure with the supplied pin.



## Drop Leg Operation

### Spring Return Drop Leg Operation:

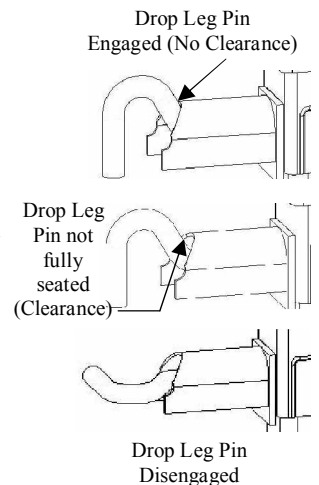
**WARNING:** Drop leg will naturally retract very quickly.

- 1) Verify that the jack is not supporting any load.
- 2) If extended, place your foot on foot plate to control the return of the drop leg.
- 3) Disengage drop leg pin by rotating to the disengaged position.
- 4) Carefully move the drop leg to the desired position using your foot.
- 5) Engage the drop leg pin by rotating it to the engaged position and into the desired adjustment hole.
- 6) Verify that the drop leg pin is fully inserted into the jack by checking for no clearance between the drop leg pin and housing. If you see clearance, you must adjust the drop leg to fully seat the pin into the hole location. You may need to lubricate the drop leg pin assembly as described in the maintenance section. If you are unable to fully seat the pin DO NOT USE.

### Non-Spring Return Drop Leg Operation:

**WARNING:** Drop leg will naturally fall.

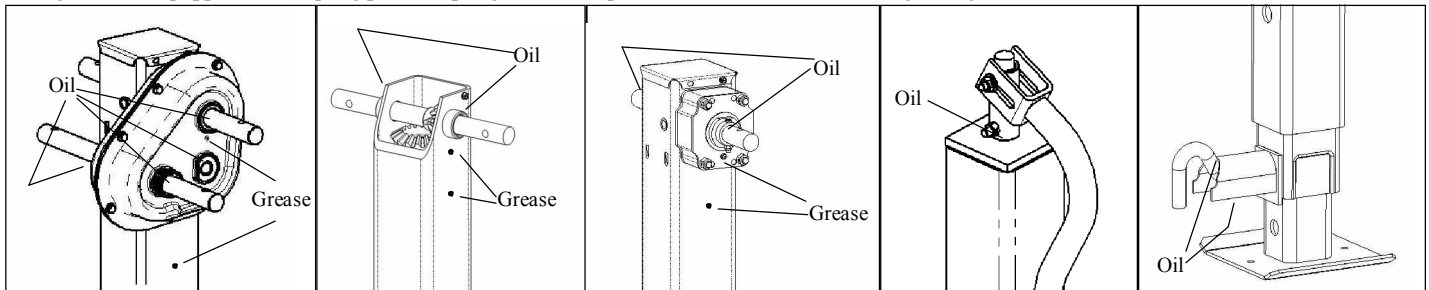
- 1) Verify that the jack is not supporting any load.
- 2) If Retracted, grasp the handle of foot plate to control the fall of the drop leg.
- 3) Disengage drop leg pin by rotating to the disengaged position.
- 4) Carefully move the drop leg to the desired position.
- 5) Engage drop leg pin by rotating to the engaged position and into the desired adjustment hole.
- 6) Verify that the drop leg pin is fully inserted into the jack by checking for no clearance between the drop leg pin and housing. If you see clearance, you must adjust the drop leg to fully seat the pin into the hole location. You may need to lubricate the drop leg pin assembly as described in the maintenance section. If you are unable to fully seat the pin DO NOT USE.



## Maintenance

The following procedures should be performed at least annually:

The gears, bushings, and screw of the jack must be kept lubricated. For side-wind models, apply a small amount of automotive grease with a grease gun at the lubrication points found on the side of the jack near the input shaft. Rotate the jack handle to distribute the grease evenly. A lightweight oil must be applied to the input shaft bushings at both sides of the jack or gearbox. For top-wind models, the screw-stem should be lubricated with a light-weight oil. If equipped, the drop leg pin and spring must be kept clean and lubricated with a lightweight oil.



## How to Order

Use only Cequent Performance Products' parts or parts of equal quality for repair. Replacement parts are available through Cequent Performance Products' Customer Service Department, 1-800-521-0510. Please specify product model number.

## Limited Five Year Warranty

**Limited Warranty.** Cequent Performance Products, Inc. ("We" or "Us") warrants to the original consumer purchaser only ("You") that the product will be free from material defects in both material and workmanship for a period of five years, ordinary wear and tear excepted; provided that installation and use of the product is in accordance with product instructions. There are no other warranties, express or implied, including the warranty of merchantability or fitness for a particular purpose. If the product does not comply with this limited 5 year warranty, Your sole and exclusive remedy is that We will replace the product without charge to You and within a reasonable time or, at our option, refund the purchase price. This warranty is not transferable.

**Limitations on the Warranty.** This limited warranty does not cover: (a) normal wear and tear; (b) damage through abuse, neglect, misuse, or as a result of any accident or in any other manner; (c) damage from misapplication, overloading, or improper installation, including welds; (d) improper maintenance and repair; and (e) product alteration in any manner by anyone other than Us, with the sole exception of alterations made pursuant to product instructions and in a workmanlike manner.

**Obligations of Purchaser.** To make a warranty claim, contact Us, at our principal address of 47774 Anchor Ct. W., Plymouth, MI 48170, 1-800-521-0510, identify the product by model number, and follow the claim instructions that will be provided. Any returned product that is replaced or refunded by Us becomes our property. You will be responsible for return shipping costs. Please retain your purchase receipt to verify date of purchase and that You are the original consumer purchaser. The product and the purchase receipt must be provided to Us in order to process Your warranty claim.

**Remedy Limits.** Repair or replacement is Your sole remedy under this limited warranty or any other warranty related to the product. We shall not be liable for service or labor charges incurred in removing or replacing a product or any incidental or consequential damages of any kind.

**Assumption of Risk.** You acknowledge and agree that any use of the product for any purpose other than the specified use(s) stated in the product instructions is at Your own risk.

**Governing Law.** This limited warranty gives You specific legal rights, and You also may have other rights which vary from state to state. This limited warranty is governed by the laws of the State of Michigan, without regard to rules pertaining to conflicts of law. The state courts located in Oakland County, Michigan shall have exclusive jurisdiction for any disputes relating to this warranty.