

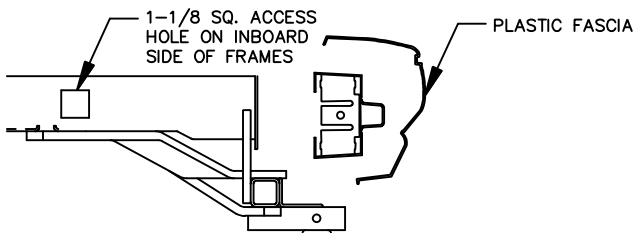
INSTALLATION INSTRUCTIONS

VEHICLE

PONTIAC SUNFIRE GT
CHEVROLET CAVALIER Z24

EQUIPMENT REQUIRED: TIN SNIPS
WIRING ACCESS LOCATION: PC3, PC4
DRILL BITS: 1/2
HITCH REQUIRES 1/2" PIN AND CLIP.
WRENCHES: (TIGHTEN ALL FASTENERS WITH TORQUE WRENCH) 9/16, 11/16, 13mm

2000 LB MAX GROSS TRAILER WT
200 LB MAX TONGUE WEIGHT
DO NOT EXCEED TOWING VEHICLE RATINGS



HITCH SHOWN IN PROPER POSITION

THIS AREA OF HEAT SHIELD
TO BE TRIMMED TO CLEAR
HITCH SIDE ARM



FIGURE 1

HEAT SHIELD TRIM DETAIL

NOTICE: RESTORE EXHAUST SYSTEM HEAT SHIELD TO ITS ORIGINAL FUNCTION OR REPLACE WITH NEW SHIELD IF HITCH IS REMOVED

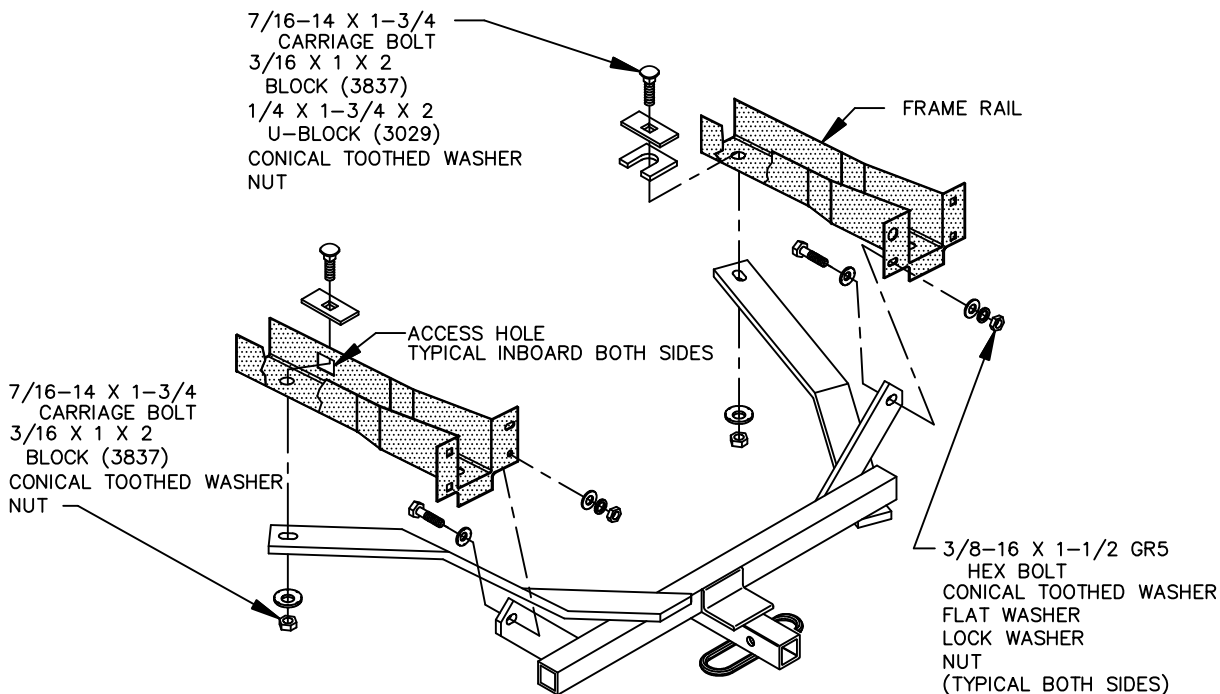
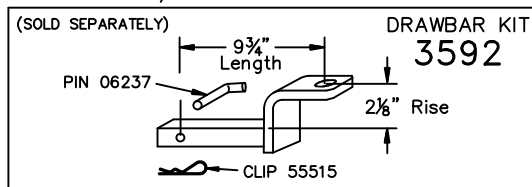


FIGURE 2

1. REMOVE TWO (2) 8mm BOLTS FROM INBOARD LOWER CORNERS WHICH ATTACH BUMPER BRACKETS TO VEHICLE FRAME. ENLARGE HOLES WITH 1/2 DRILL BIT
2. TEMPORARILY LOWER EXHAUST SYSTEM
3. REMOVE THE TWO (2) REARMOST EXHAUST HEAT SHIELD RIVETS. RAISE HITCH UP INTO POSITION AND TRIM HEAT SHIELD AS SHOWN IN FIGURE 1.
4. RAISE HITCH INTO POSITION, LINING UP HOLES IN HITCH UPRIGHT BRACKETS WITH HOLES IN FORWARD SURFACE OF VEHICLE. INSTALL 3/8 FASTENERS THROUGH VALANCE PANEL AND HITCH UPRIGHT BRACKET, EACH SIDE, AS SHOWN.
5. INSTALL 7/16 FASTENERS THROUGH SQUARE ACCESS HOLE ON INBOARD SIDE OF FRAME AS SHOWN ABOVE.
NOTE: USE OF U-SHAPED BLOCK (3029) ON PASSENGER SIDE ONLY
6. REATTACH EXHAUST SYSTEM.

TIGHTEN 3/8 GR5 FASTENERS TO 31 LB.-FT.
TIGHTEN 7/16 GR5 FASTENERS TO 50 LB.-FT.



USE ONLY THE DRAWBAR SHOWN FOR CORRECT BUMPER CLEARANCE AND HEIGHT.
DRAWBAR MUST BE USED IN THE RISE POSITION ONLY.

THIS PRODUCT COMPLIES WITH SAFETY SPECIFICATIONS AND REQUIREMENTS FOR CONNECTING DEVICES AND TOWING SYSTEMS OF THE STATE OF NEW YORK, V.E.S.C. REGULATION V-5 AND SAE J684.

APPROX WEIGHT (LB.)	FASTENER KIT
27	K24613

NOTE: Check hitch frequently, making sure all fasteners and ball are properly tightened. If hitch is removed, plug all holes in trunk pan or other body panels to prevent entry of water and exhaust fumes. A hitch or ball which has been damaged should be removed and replaced. Observe safety precautions when working beneath a vehicle and wear eye protection. Follow car maker's specs for maximum trailer weight and tongue weight. Do not cut access or attachment holes with a torch.

Cequent Performance Products
Plymouth, Michigan

PRINTED IN MEXICO