

# INSTRUCTION MANUAL

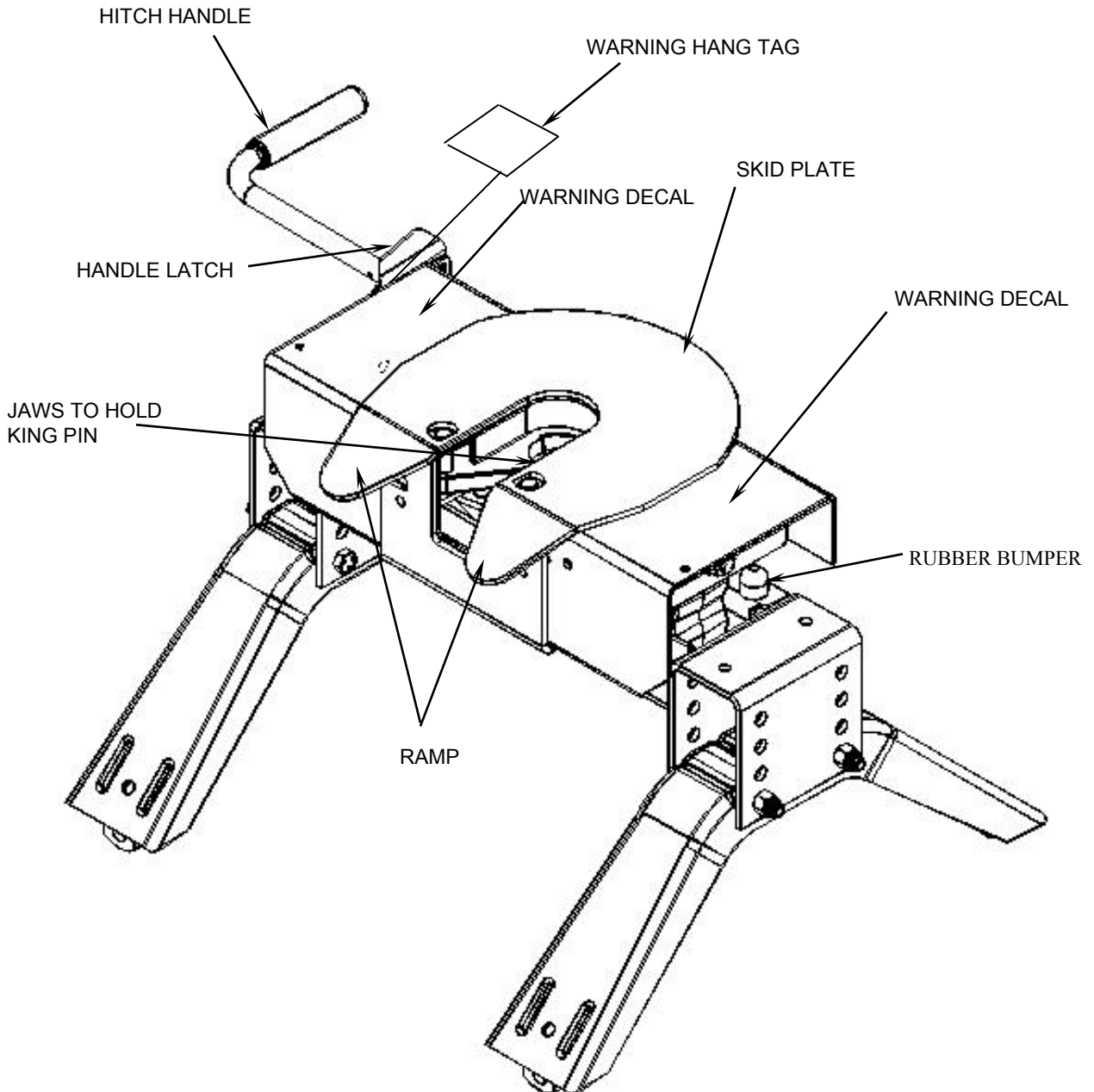
## PRO SERIES 20,000

### DEALER/INSTALLER:

- (1) Provide this Manual to end user.
- (2) Physically demonstrate hitching and unhitching procedures in this Manual to end user.
- (3) Have end user demonstrate that he/she understands procedures.

### END USER:

- (1) Read and follow this Manual every time you use the hitch.
- (2) Save this Manual and Hitch Warning Hang Tag for future reference.
- (3) Pass on copies of Manual and Hitch Warning Hang Tag to any other user or owner of hitch.
- (4) Never remove hitch warning decals as shown on the cover of this manual. If damaged, contact Cequent Performance Products 1-888-521-0510 for free replacement.



**For Installation Assistance or Technical Help, Call 1-888-521-0510**

**⚠ WARNING:**

**Failure to follow these instructions may result in death or serious injury!**

**INDEX**

1. GUIDELINES FOR MATCHING TOW VEHICLE AND TRAILER	P. 2
2. ASSEMBLY INSTRUCTIONS	P. 4
3. BEFORE EACH TRIP	P. 5
4. HITCHING PROCEDURE	P. 5
5. PULL TEST	P. 8
6. UNHITCHING PROCEDURE	P. 8
7. MAINTENANCE	P. 9
8. CEQUENT PERFORMANCE PRODUCTS THREE YEAR LIMITED WARRANTY	P. 9

**GUIDELINES FOR MATCHING HITCH TRUCK AND TRAILER**

**⚠ WARNING:**

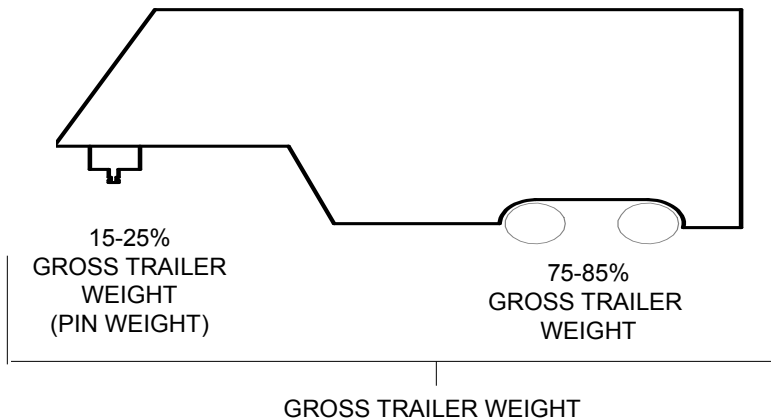
- Trailer and its contents together must not exceed truck, hitch and/or trailer tow ratings.
- Towing vehicle must have a manufacturer's rated towing capacity equal to or greater than the gross trailer weight (dry weight of the trailer plus payload of the trailer). (See Fig. 1)
- Gross weight of trailer must not exceed 20,000 pounds.
- King pin weight must not exceed 5000 pounds (See Fig. 2). If in doubt have king pin weight measured by qualified facility.

**Fig. 1**



1. This hitch is designed for use with recreational fifth wheel trailers only. Hitch applications other than recreational fifth wheel trailers must be approved in writing by Towing Product's Engineering Department.
2. Use only a SAE 2-inch kingpin with this Fifth Wheel Hitch.
3. Approximately 15%-25% of trailer weight should be on hitch (Pin Weight). See Fig. 2.

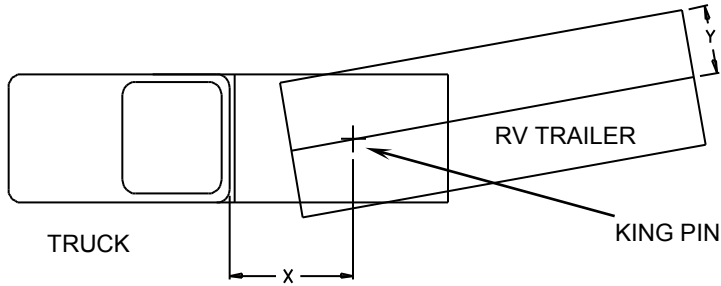
**Fig. 2**



4. Trucks come in many different configurations. This hitch is designed for use in light trucks such as the Ford F-Series, the Chevy Silverado and the Dodge Ram. This hitch is recommended for use with long bed (8ft) light trucks for the best combination in truck - trailer turning clearance.

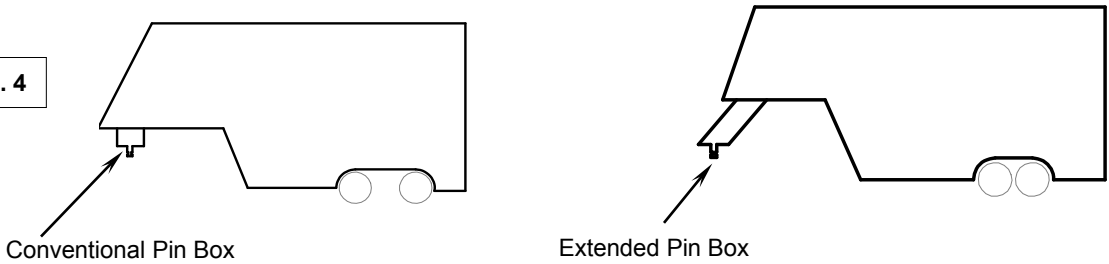
Rule of thumb: The distance from the back of the truck cab to the center of the rear truck axle ("X" in Fig. 3), should be approximately 4 inches greater than one-half the trailer width ("Y" in Fig.3) unless using a Sidewinder or Revolution Pin Box.

**Fig. 3**



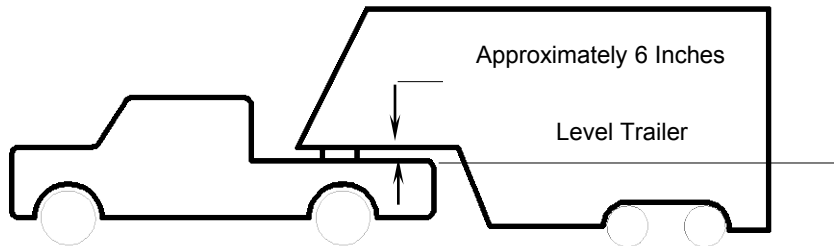
5. If a short bed pickup (less than 8 ft. but longer than 6 ft.) is to be used for towing, Cequent Performance Products recommends the trailer be equipped with an extended pin box to help gain additional truck - trailer turning clearance (See trailer manufacturer for options) (See Fig. 4). Or it also may be helpful to add a **30048 or 50008 or 30092 slider with an extended pinbox** for increased turning clearance for low speed, non-highway maneuvering. The use of a Reese Sidewinder would also give additional turning clearance.

**Fig. 4**



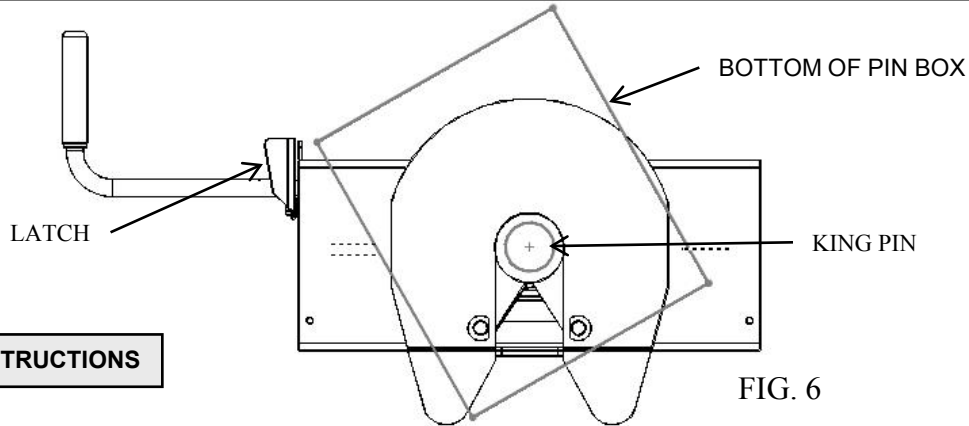
6. The height of the hitch and the pin box should be adjusted so the trailer is approximately level as it is towed. Allow approximately 6 inches clearance between the top of the pickup walls and the underside of the front of the trailer for pitch and roll of the trailer. (See Fig. 5). Allow more clearance between pickup walls and trailer for off road use.

**Fig. 5**



**⚠ WARNING:**

Do Not use this hitch for towing a trailer with a pin box that could come into contact with or interfere with the latch for the hitch handle when turning! (See Fig. 6) If the pin box contacts the hitch handle or its latch when turning, the trailer may become unhitched.

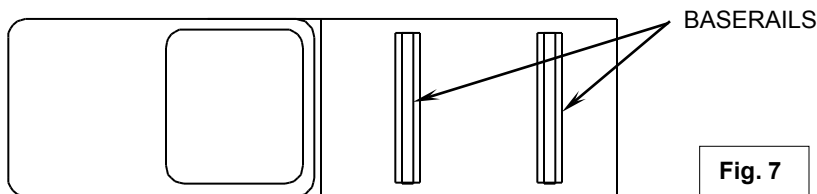


**ASSEMBLY INSTRUCTIONS**

**⚠ WARNING:**

- Connection for trailer wiring should be in the side of the truck bed between the driver's seat and the wheel well for the back truck axle
- Installation of connection rearward of the wheel well may result in user placing body between truck and trailer. **WHENEVER POSSIBLE, AVOID PUTTING BODY UNDER TRAILER OR BETWEEN TRUCK AND TRAILER!**
- If you need to place any part of your body under trailer or between truck and trailer:
  - All trailer tires **MUST** be blocked in front and behind each tire **AND**
  - Trailer landing gear **MUST** be resting on firm ground **AND**
  - Truck **MUST** be stationary, in park, with emergency brake on!

1. Reference Fig. 19 on back page. Numbers in parentheses refer to parts in Fig. 19.
2. 5th Wheel Kit is contained in multiple cartons. Unpack and become familiar with parts on parts list.
3. Place two base rails (28) across bed of truck (See Fig. 7). Select one leg (22) and place tabs through the middle set of rectangular slots in the base rails. Slip long pull pins (25) through holes in base rails from the outside in as shown so the cotter pins are on the inside of the base rails. Repeat for other leg. Secure pull pins with spring retaining pins (26).



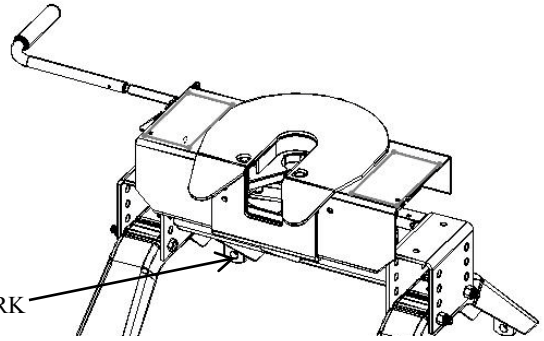
4. Select head support (17) and install on leg aligning holes for hitch height desired. (Lowest position 13" highest 17"). Install four 1/2-13 x 4.5" Hex bolts (21), (with heads toward inside as shown) and lock nuts (20).
5. Torque 1/2" nuts to 75 lb. ft.
6. Install base rails and mounting brackets as described in their instructions. Additional instructions on page 10.

**⚠ WARNING**

**Base rails must be bolted through the floor of the pickup to the brackets that attach to the truck frame. DO NOT INSTALL BY FASTENING TO THE FLOOR OF THE PICKUP BOX ONLY. The floor alone is not strong enough to carry the loads imposed by the trailer.**

7. Install outer tubular handle (2) over solid inner handle (4) and pin together with cotter pin. Bend cotter pin to hold in place. Check that latch bolt (8) is snug. Do not over tighten latch (3) must be able to move with firm hand effort. Check to see that all retainer rings are in place.

8. Grease the pivot pin before the first trip and once a year thereafter.



**BEFORE EACH TRIP:**

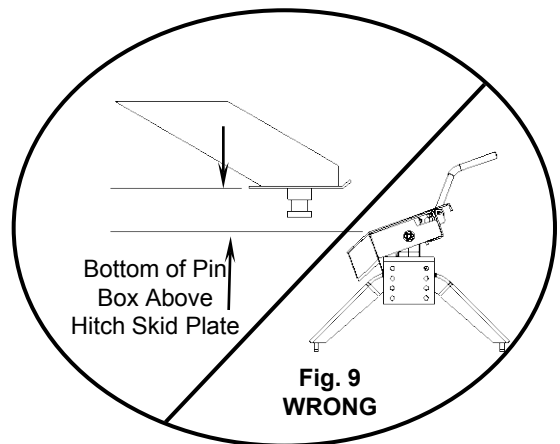
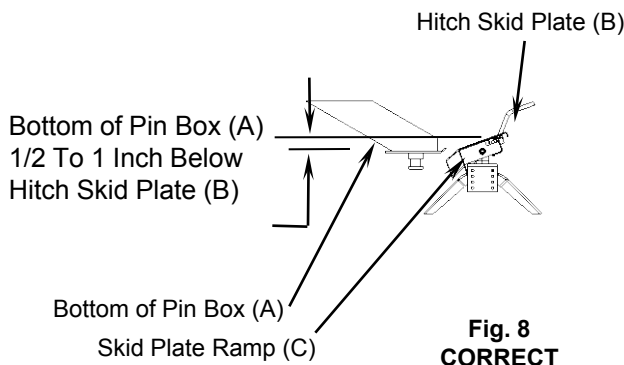
1. Lubricate skid plate surface of the hitch (see figure on cover of Manual) with automotive type chassis grease or use a plastic lube plate to provide a lubricated surface. Grease the 1-1/2" diameter pivot pin with the grease zerk provided. Use engine oil to lubricate pivot points of moving parts within the hitch.
2. Plastic lube plates can be used to avoid messy grease. The plastic lube plate must not exceed 3/16 of an inch in thickness to ensure hitch will operate properly. Lube plates must be 10 inches in diameter or larger to properly distribute king pin weight.
3. Before each trip or maneuver, operate the handle and check that the jaws open and close freely.
4. See that all hitch pull pins (# 25 on Fig. 20) are in place and the spring retaining pins (#26 on Fig. 20) are installed.

**HITCHING PROCEDURE:**

**IMPORTANT: YOU ARE RESPONSIBLE FOR SAFE HITCHING AND UNHITCHING OPERATIONS. DO NOT RELY ON OTHERS TO PERFORM YOUR DUTIES. YOU MUST PERSONALLY MAKE SURE THE FOLLOWING STEPS ARE PERFORMED IN THE FOLLOWING ORDER!**

**⚠ WARNING:**  
**FAILURE TO FOLLOW THESE INSTRUCTIONS MAY RESULT IN DEATH OR SERIOUS INJURY.**

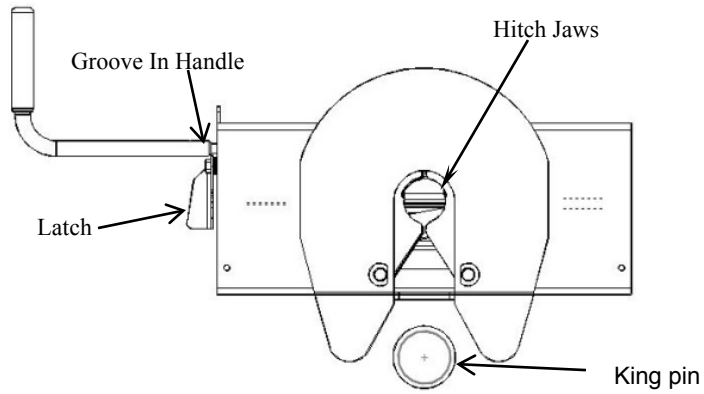
1. Place blocks (sometimes called "chocks") firmly against front and rear of each trailer wheel to prevent any possible forward or rearward motion. DO NOT REMOVE BLOCKS UNTIL EACH OF THE FOLLOWING STEPS AND THE PULL TEST HAVE BEEN COMPLETED. Lower tailgate if necessary.
2. Using trailer jacks, adjust trailer height following the directions in the trailer manual so that bottom of trailer pin box ("A" in Fig. 8) is 1/2 to 1 inch below skid plate (See "B" in Fig. 8). During the hitching maneuver, the bottom of the trailer pin box should come in contact with skid plate ramp ("C" in Fig. 8).



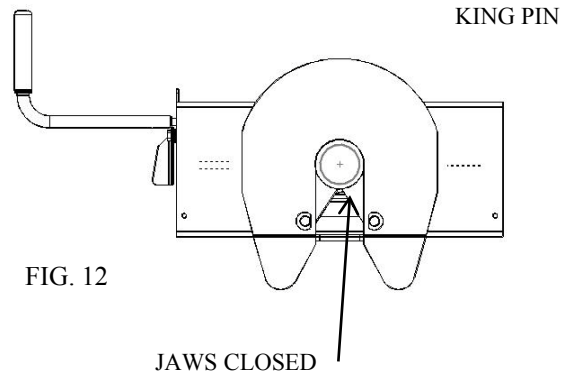
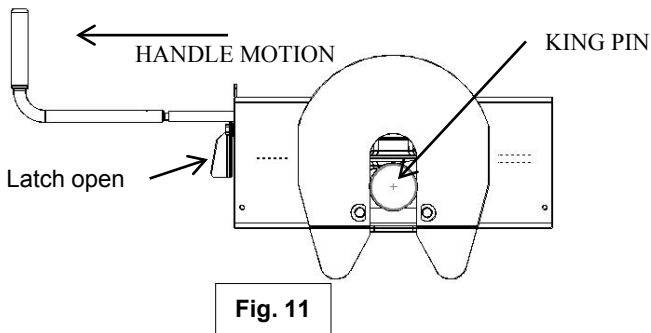
**⚠ WARNING:**  
Failure to follow this instruction may result in king pin being too high and coming to rest on top of closed jaws or not completely inside jaws. (See Fig. 9). This could result in trailer separating from hitch. Trailer separation may result in death or serious injury if anyone is under the trailer or between truck and trailer when separation occurs.

3. Rotate latch (see Fig. 10) toward trailer and free of groove in handle. NOTE: Hitch jaws will not open and proper hitching cannot occur if latch is in handle groove.

Fig. 10



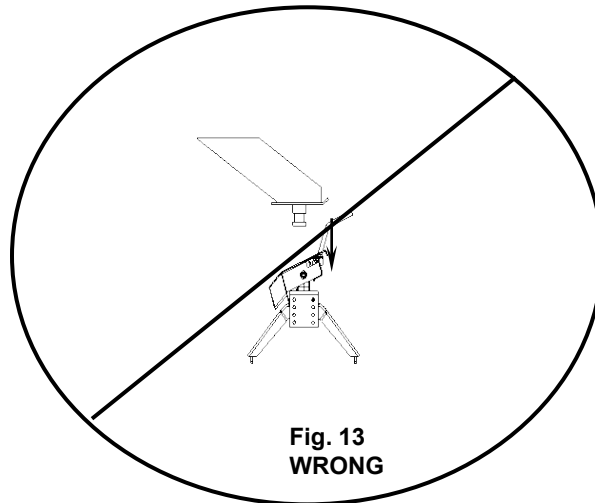
4. With handle in the closed position (See Fig. 10), back truck slowly into trailer. As the trailer king pin enters the hitch it will push the hitch jaws open and extend the handle (See Fig. 11). As king pin completely enters head, jaws will spring closed around king pin and handle will return to the closed position. (See Fig. 12)



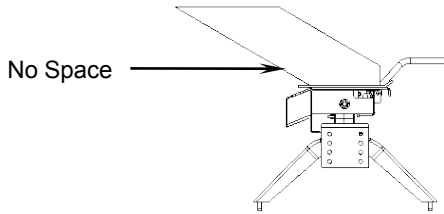
5. Use only the method described above for hitching.

**⚠ WARNING:**

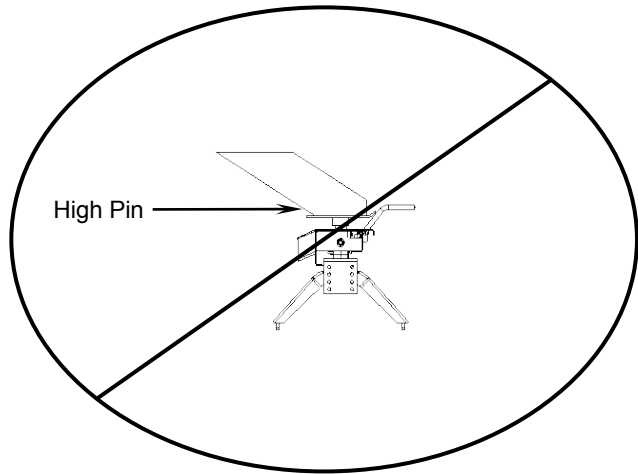
Do not attempt to hitch by using trailer jacks to lower trailer and king pin. This could result in king pin coming to rest on top of skid plate instead of within hitch opening where jaws are located. King pin could slide off hitch and trailer could drop, resulting in death or serious injury (See Fig. 13).



6. With all trailer wheels still firmly blocked, landing gear still resting on firm ground and supporting trailer weight, and truck stationary and in park with emergency brake on: visually check that bottom of pin box is resting on top of the hitch. THERE SHOULD BE NO SPACE BETWEEN THESE SURFACES (See Fig. 14). If space exists, (See Fig. 15) trailer has not been properly hitched. DO NOT TOW! Instead, repeat above steps until trailer is properly hitched. DO NOT PLACE BODY UNDER TRAILER TO PERFORM THIS INSPECTION!

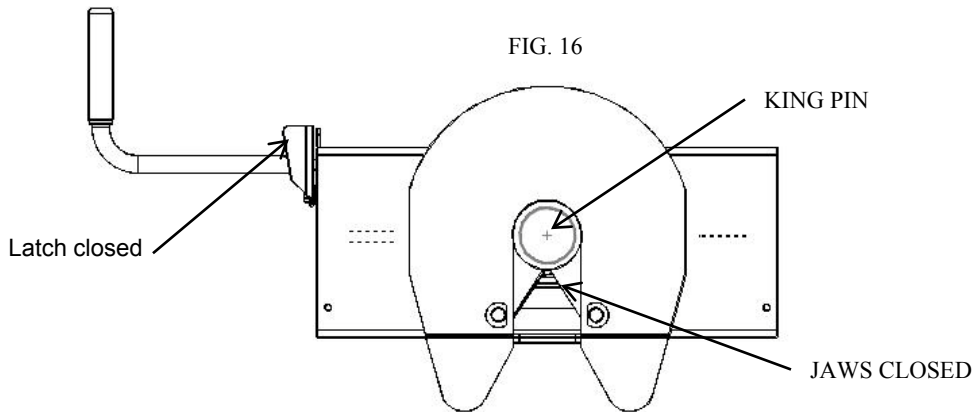


**Fig. 14  
CORRECT**



**Fig. 15  
WRONG**

7. Rotate latch for hitch handle to closed position in groove of handle to be sure hitch jaws are locked closed. IF LATCH IS NOT ALIGNED WITH GROOVE IN HANDLE, TRAILER HAS NOT BEEN PROPERLY CONNECTED TO HITCH. DO NOT TOW! Repeat above steps until trailer is properly hitched. (See Fig. 16)



8. With:

- All trailer wheels still firmly blocked in front and behind each tire, and
- Truck stationary with the emergency brake on, and
- Trailer landing gear still resting on firm ground and supporting trailer weight; and
- Truck stationary and with emergency brake on:

Connect electrical cable between truck and trailer, connect breakaway switch cable from pin box to a permanent part of truck, and raise tailgate of truck.

**⚠ WARNING**

**•WHENEVER POSSIBLE, AVOID PUTTING BODY UNDER TRAILER OR BETWEEN TRUCK AND TRAILER**

**•If you need to place any part of your body under trailer or between truck and trailer:**

- All trailer tires **MUST** be blocked in front and behind each tire **AND**
- Trailer landing gear **MUST** be resting on firm ground **AND**
- Truck **MUST** be stationary, in park, with emergency brake on!

## PULL TEST

### **WARNING:**

Failure to perform this test may result in death or serious injury!

#### 1. With:

- All trailer wheels still firmly blocked, and
- Trailer land gear still resting on firm ground and supporting trailer weight and,
- Truck stationary and with emergency brake on:

Return to cab of truck and release truck's emergency brake. Apply trailer brakes. After making sure no one is between truck and trailer, try to pull trailer slowly forward with the truck. If the trailer is properly hitched, the wheel blocks and trailer brakes should keep the truck from moving forward.

NOTE: If trailer is not properly hitched, trailer will separate from hitch and truck will move forward leaving trailer behind. If the trailer landing gear is still on resting on firm ground supporting trailer weight and wheels are blocked, trailer will not be able to drop or fall

### **WARNING:**

Failure to keep wheels blocked and landing gear down could result in trailer suddenly moving or falling. This could result in death or serious injury!

2. After successfully performing above steps, fully raise trailer landing gear (see trailer manual).
3. Check and inspect all electrical circuits for proper operation. (Clearance lights, turn signals, stop lights, etc.).
4. Remove and store all trailer wheel blocks.

## UNHITCHING PROCEDURE:

### PERFORM THE FOLLOWING IN THIS ORDER:

1. Place blocks firmly against front and rear of each trailer wheel to prevent any possible forward or rearward motion.
2. Using trailer jacks, lower trailer landing gear following the directions in the Trailer Manual until feet of landing gear are resting on firm ground.
3. Make sure truck is in park with the emergency brake on.

### **WARNING:**

Trailers that are not stable or properly hitched can fall and kill you! To avoid death or serious injury:

- All trailer tires **MUST** be blocked in front and behind each tire **AND**
- Trailer landing gear **MUST** be resting on firm ground **AND**
- Truck **MUST** be stationary, in park, with emergency brake on!

4. Lower truck tail gate.
5. Disconnect power cable and breakaway switch cable between truck and trailer.
6. Rotate latch for hitch handle toward trailer and free of groove in handle. (Fig. 17 on next page)
7. Pull hitch handle out completely until it latches in open position so that king pin is no longer securely grasped by hitch jaws (See Fig. 18 on next page). Trailer is now free from hitch and truck. If handle does not pull out, there is probably pressure against the jaws. To relieve this pressure, back the truck slightly. Reset truck emergency brake. Then pull hitch handle out completely until it latches in open position. (See Fig. 18)



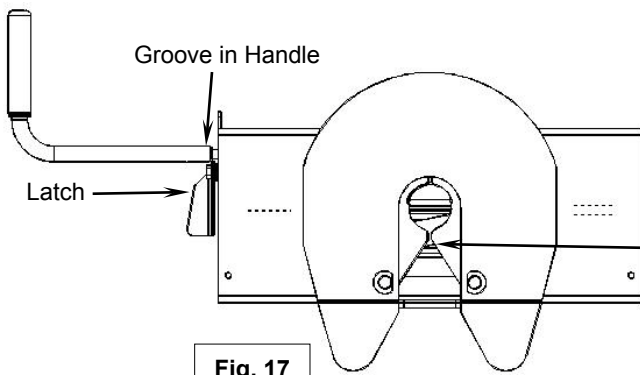


Fig. 17

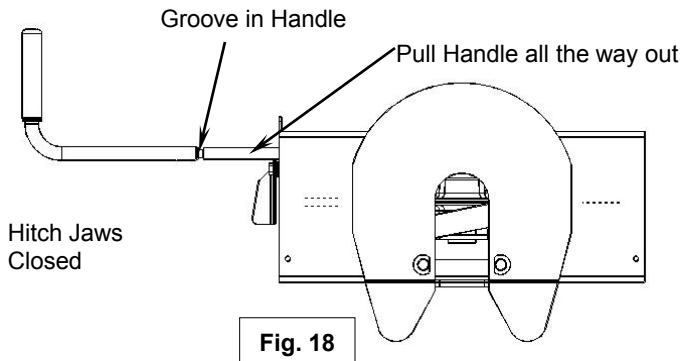


Fig. 18

8. AFTER MAKING CERTAIN NO ONE IS STANDING BETWEEN TRUCK AND TRAILER OR IN FRONT OF TRUCK, drive truck slowly away from trailer.

**⚠ WARNING**

Whenever possible, avoid putting body under trailer or between truck and trailer  
If you need to place any part of our body under trailer or between truck and trailer:

- All trailer tires MUST be blocked in front and behind each tire **AND**
- Trailer landing gear MUST be resting on firm ground **AND**
- Truck MUST be stationary, in park, with emergency brake on!

9. Close hitch jaws by pushing handle forward and up.  
**(Spring will close jaws.)**

10. KEEP WHEEL BLOCKS IN PLACE. This will keep trailer from moving unexpectedly

**MAINTENANCE:**

1. Recheck tightness of all hardware every 1000 miles of use.
2. See “Before each trip” section in this manual.

**TEN YEAR LIMITED WARRANTY**

Part No: \_\_\_\_\_

Date of Original Purchase: \_\_\_\_\_

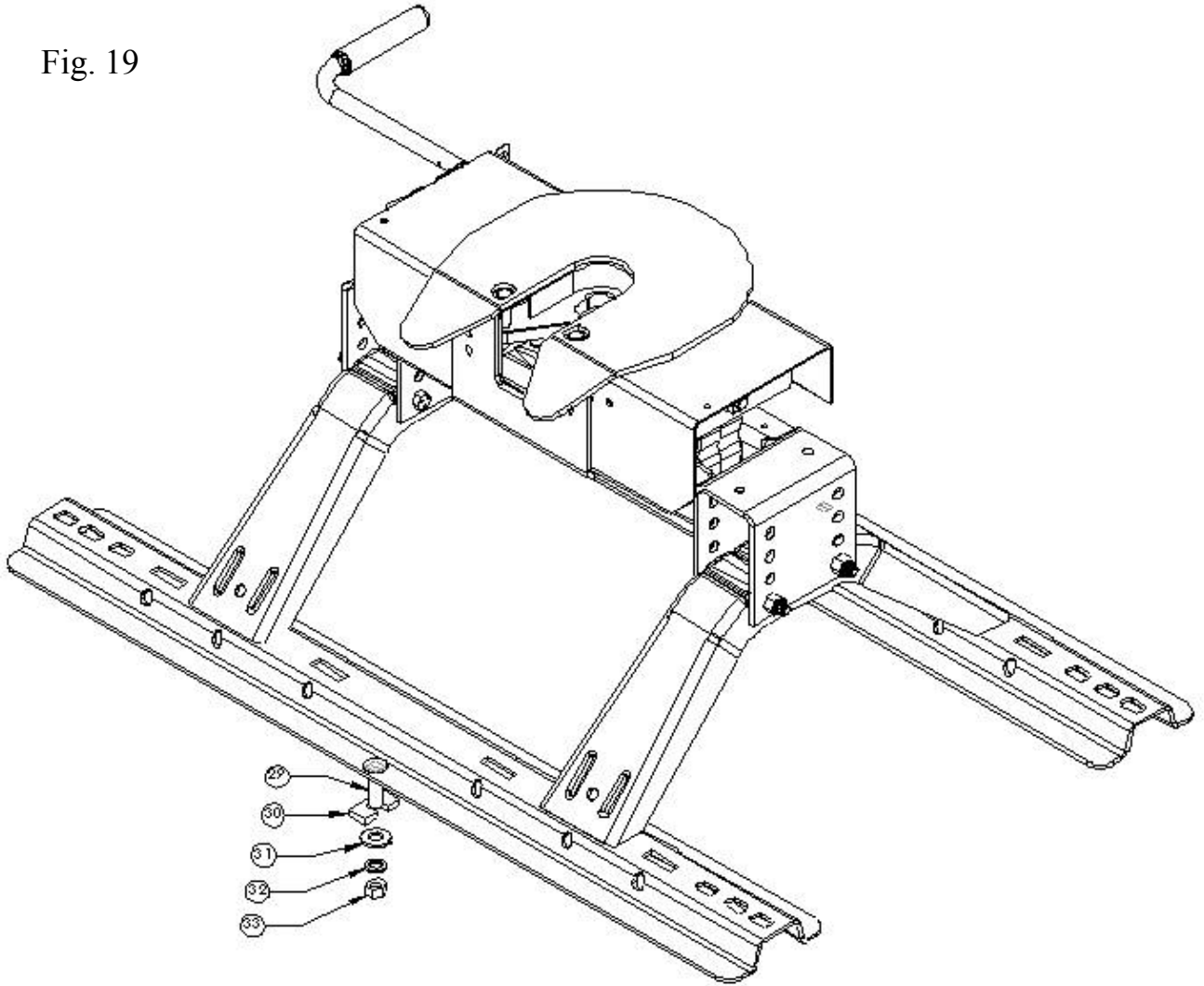
Original Owner: \_\_\_\_\_

Original Installer: \_\_\_\_\_

1. **Ten Year Limited Warranty (“Warranty”).** Cequent Performance Products, Inc. (“We” or “Us”) warrants to the original consumer purchaser only (“You”) that the product will be free from material defects in both material and workmanship, ordinary wear and tear excepted; provided that installation and use of the product is in accordance with product instructions. There are no other warranties, express or implied, including the warranty of merchantability or fitness for a particular purpose. This warranty is not transferable.
2. **Limitations on the Warranty.** This Warranty does not cover: (a) normal wear and tear; (b) damage through abuse, neglect, misuse, or as a result of any accident or in any other manner; (c) damage from misapplication, overloading, or improper installation; (d) improper maintenance and repair; and (e) product alteration in any manner by anyone other than Us, with the sole exception of alterations made pursuant to product instructions and in a workmanlike manner.
3. **Obligations of Purchaser.** To make a Warranty claim, contact Us, at our principal address of 47912 Halyard Dr. Suite 100, Plymouth, MI 48170, 1-888-521-0510, identify the product by model number, and follow the claim instructions that will be provided. Any returned product that is replaced by Us becomes our property. You will be responsible for return shipping costs. Please retain your purchase receipt to verify date of purchase and that You are the original consumer purchaser. The product and the purchase receipt must be provided to Us in order to process Your Warranty claim.
4. **Remedy Limits.** Product replacement is Your sole remedy under this Warranty. We shall not be liable for service or labor charges incurred in removing or replacing a product or any incidental or consequential damages of any kind.
5. **Assumption of Risk.** You acknowledge and agree that any use of the product for any purpose other than the specified use(s) stated in the product instructions is at Your own risk.
6. **Governing Law.** This Warranty gives You specific legal rights, and You also may have other rights which vary from state to state. This Warranty is governed by the laws of the State of Michigan, without regard to rules pertaining to conflicts of law. The state courts located in Oakland County, Michigan shall have exclusive jurisdiction for any disputes relating to this Warranty.

Cequent Performance Products, Inc.  
47912 Halyard Dr. Suite 100  
Plymouth, MI 48170

Fig. 19

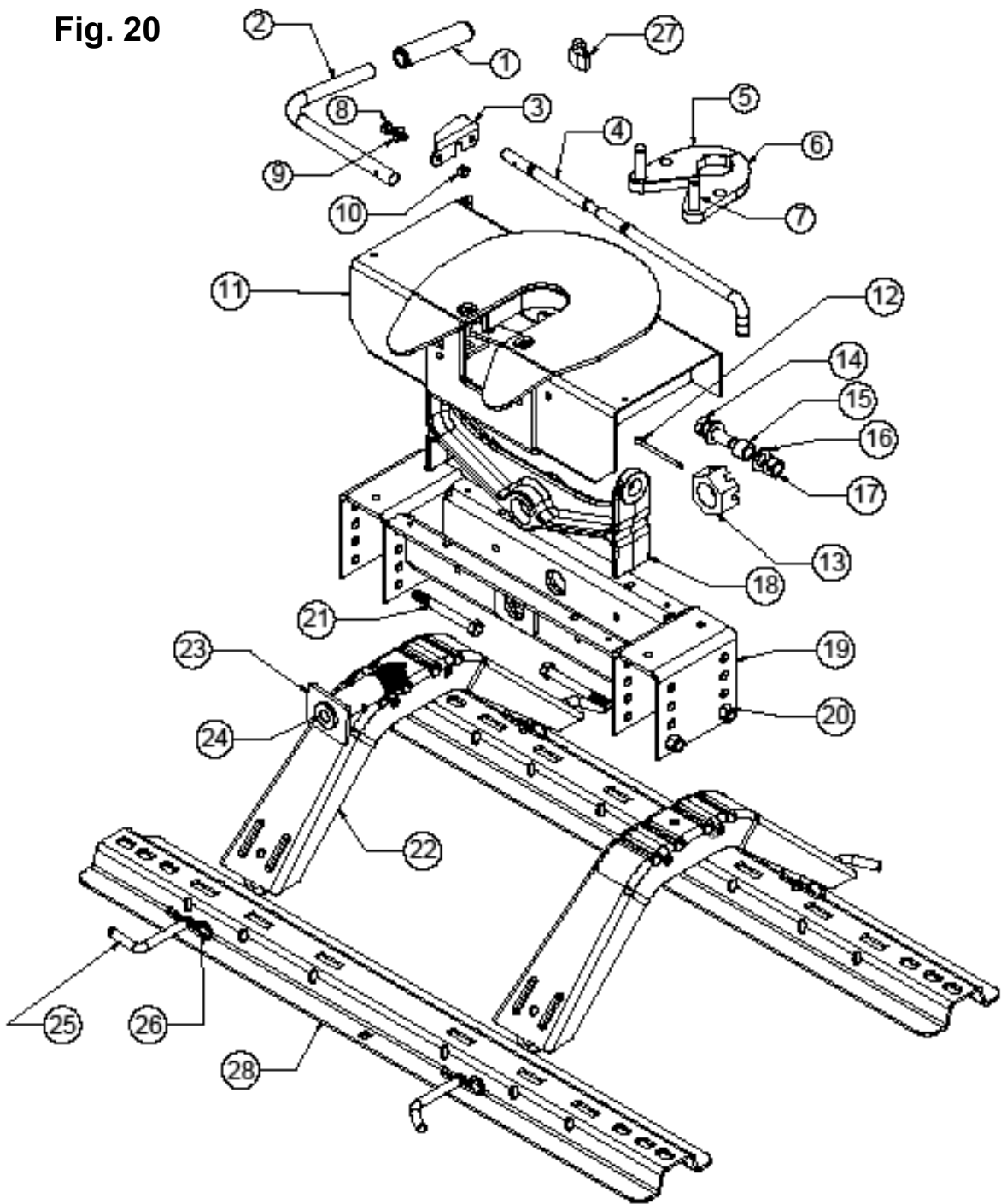


### ADDITIONAL MOUNTING INSTRUCTIONS:

**Install base rails as instructed in base rail instructions. The instruction below is for the addition of the 2 center bolts.**

1. Place base rails in accordance with base rail mounting instructions. Try to keep them as close to the cross member under the bed as possible.
2. BEFORE DRILLING ANY HOLES, CHECK FOR CLEARANCE AROUND THE GAS TANK.
3. Using the center hole in the base rail as a guide, drill a 1/2" hole through the truck bed.
4. Insert 1/2" carriage bolt (29) into the hole. Install 1/2" serrated washer (31), 1/2" lock washer (32) and 1/2" nut (33).
5. Insert spacer (30) between the truck bed and the base rail. It will go in between at the corrugation of the bed.
6. Repeat for the other base rail.
7. Torque the 1/2" nuts to 75 ft/lbs.

**Fig. 20**



PCS.

- |                         |     |                            |     |                                  |     |
|-------------------------|-----|----------------------------|-----|----------------------------------|-----|
| 1. HANDLE GRIP          | (1) | 14. 5/8-11 x 2 BOLT        | (2) | 27. PAD LOCK                     | (1) |
| 2. TUBE HANDLE          | (1) | 15. BUSHING                | (2) | 28. BASE RAILS (SOLD SEPERATLEY) |     |
| 3. LATCH                | (1) | 16. 5/8" FLAT WASHER       | (4) |                                  |     |
| 4. ACTUATING HANDLE     | (1) | 17. 5/8-11 LOCKNUT         | (2) |                                  |     |
| 5. LEFT JAW             | (1) | 18. PIVOT BEAM             | (1) |                                  |     |
| 6. RIGHT JAW            | (1) | 19. HEAD SUPPORT           | (1) |                                  |     |
| 7. PIVOT PIN            | (2) | 20. 1/2-13 LOCKNUT         | (4) |                                  |     |
| 8. 3/8-16 x 1-1/4" BOLT | (1) | 21. 1/2-13 x 4-1/2" BOLT   | (4) |                                  |     |
| 9. 3/8" FLAT WASHER     | (3) | 22. LEGS (SOLD SEPERATLEY) | (2) |                                  |     |
| 10. 3/8-16 LOCKNUT      | (1) | 23. PIVOT PIN              | (1) |                                  |     |
| 11. HEAD ASSEMBLY       | (1) | 24. GREASE ZERK            | (1) |                                  |     |
| 12. COTTER PIN          | (1) | 25. PULL PIN               | (4) |                                  |     |
| 13. 1-1/2-12 NUT        | (1) | 26. SPRING CLIP            | (4) |                                  |     |

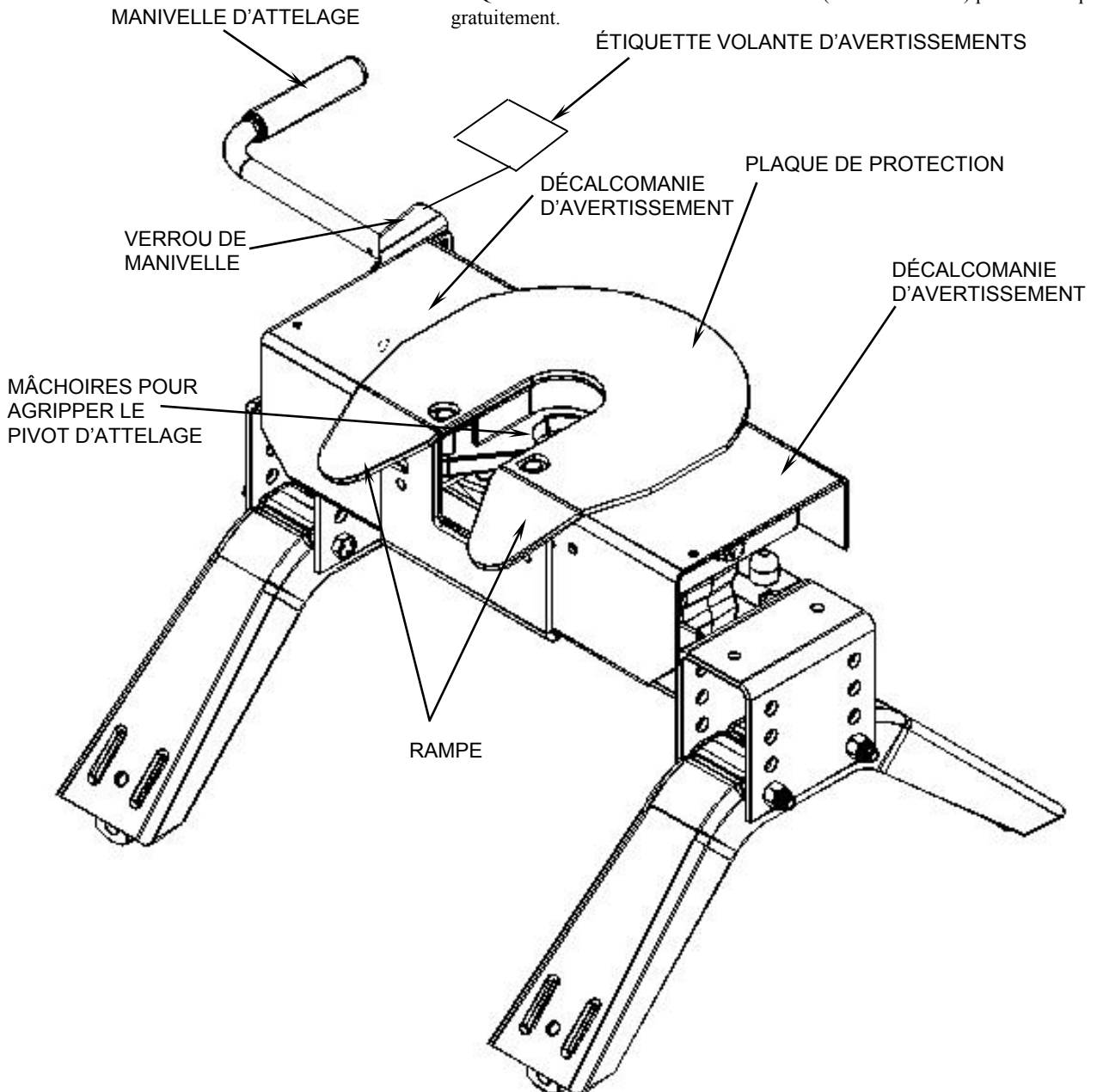
# MANUEL D'INSTRUCTION PRO SERIES 20,000

## CONCESSIONNAIRE / INSTALLATEUR :

- (1) Remettez ce manuel à l'utilisateur.
- (2) Démontrez physiquement à l'utilisateur les procédures d'attelage et de dételage de ce manuel.
- (3) Demandez à l'utilisateur de démontrer qu'il comprend bien ces procédures.

## UTILISATEUR FINAL :

- (1) Lisez ce manuel et observez ses consignes à chaque utilisation de l'attelage.
- (2) Conservez ce manuel et l'étiquette volante d'avertissements de l'attelage pour consultation ultérieure.
- (3) Remettez une copie du manuel et de l'étiquette volante à tout autre utilisateur ou propriétaire de l'attelage.
- (4) N'ôtez jamais les décalcomanies d'avertissements de l'attelage, tel qu'illustré sur la couverture de ce manuel. Si les décalcomanies sont endommagées, contactez CEQUENT PERFORMANCE PRODUCTS (1-888-521-0510) pour les remplacer gratuitement.



Pour de l'assistance technique, notamment au sujet de l'installation,  
composez le 1-888-521-0510.

**⚠ AVERTISSEMENT :**

**L'omission d'observer ces instructions peut causer des blessures sévères, voire la mort.**

**CONTENU**

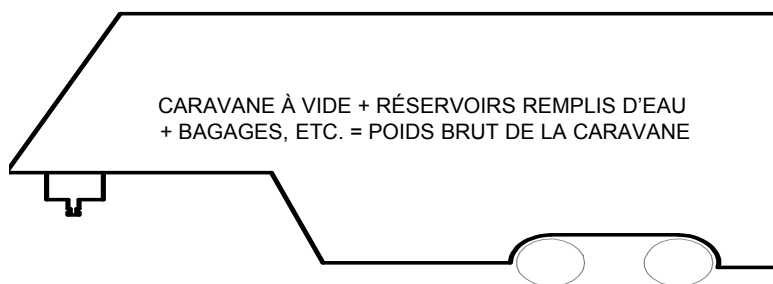
1. DIRECTIVES CONCERNANT LE JUMELAGE DU VÉHICULE ET DE LA CARAVANE	P. 2
2. INSTRUCTIONS DE MONTAGE	P. 4
3. AVANT CHAQUE DÉPLACEMENT	P. 5
4. PROCÉDURE D'ATTELAGE	P. 5
5. ESSAI DE TRACTION	P. 8
6. PROCÉDURE DE DÉTELAGE	P. 8
7. ENTRETIEN	P. 9
8. GARANTIE LIMITÉE DE TROIS ANS DE CEQUENT PERFORMANCE PRODUCTS	P. 9

**DIRECTIVES CONCERNANT LE JUMELAGE DU VÉHICULE ET DE LA CARAVANE**

**⚠ AVERTISSEMENTS :**

- La caravane, additionnée de son contenu, ne doit pas excéder les spécifications de poids de la camionnette, de l'attelage et/ou de la caravane.
- La capacité de remorquage nominale du fabricant du véhicule de remorquage doit être égale ou supérieure au poids brut de la caravane (poids à vide de la caravane plus la charge utile de la caravane). (Voir la Fig. 1)
- Le poids brut de la caravane ne doit pas excéder 20 000 livres (9 072 kg).
- Le poids du pivot d'attelage ne doit pas excéder 5 000 livres (2 268 kg) (voir Fig. 2). En cas de doute, faire peser le pivot d'attelage par une entreprise spécialisée.

**Fig. 1**

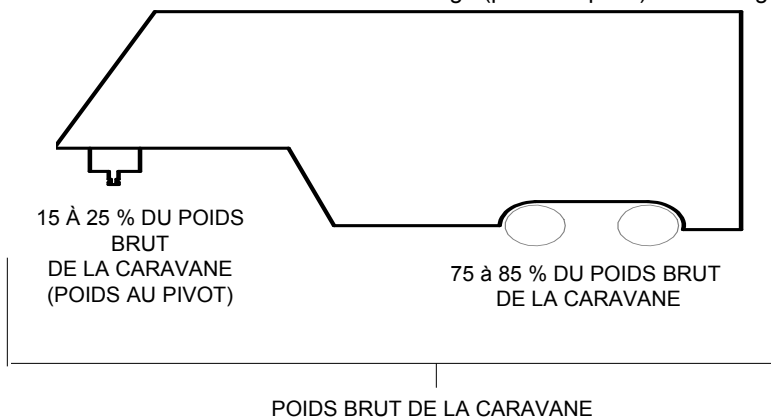


1. Cet attelage est conçu pour une utilisation avec caravanes à sellette à vocation récréative seulement. Les applications d'attelage autres que celles prévues pour les caravanes à sellette à vocation récréative doivent être approuvées par écrit par le service d'ingénierie de Towing Product.

2. Utiliser seulement un pivot d'attelage SAE de 2 pouces avec cet attelage à sellette.

3. Environ 15 % à 25 % du poids de la caravane doit s'exercer sur l'attelage (poids au pivot). Voir la Fig. 2.

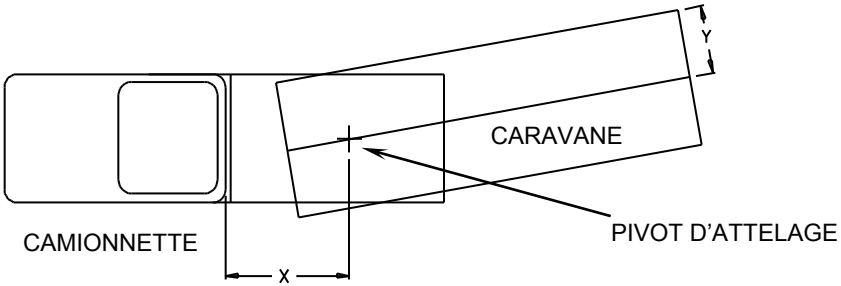
**Fig. 2**



4. Les camionnettes comportent des configurations différentes. Cet attelage est conçu pour des camionnettes légères, telles que les modèles Ford F-Series, Chevy Silverado et Dodge Ram. Cet attelage est recommandé pour utilisation avec des camionnettes légères à plate-forme longue (8 pi) afin d'obtenir le meilleur dégagement camionnette-caravane dans les braquages.

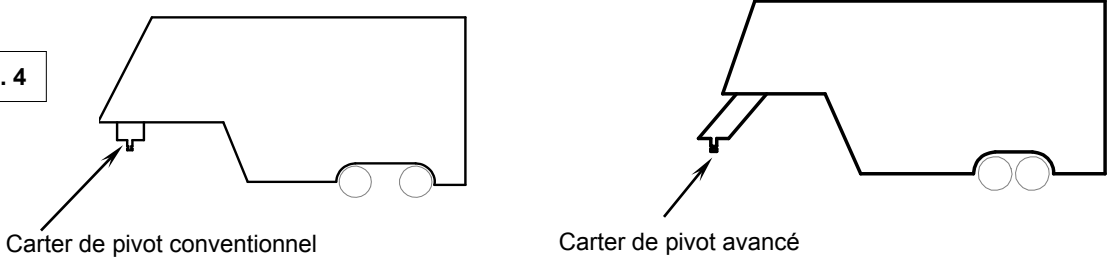
Méthode empirique : La distance entre l'arrière de la cabine de la camionnette et le centre de l'essieu arrière du camionnette ("X" à la Fig. 3), doit être supérieure d'environ 4 pouces à la demi-largeur de la caravane ("Y" à la Fig.3) sauf si l'on utilise un carter de pivot Sidewinder ou Revolution.

**Fig. 3**



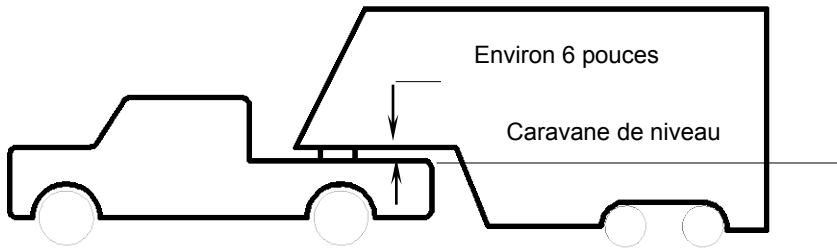
5. Si une camionnette à plate-forme courte (inférieure à 8 pi mais supérieure à 6 pi) doit être utilisée pour le remorquage, CEQUENT PERFORMANCE PRODUCTS recommande d'équiper la caravane d'un carter de pivot avancé Sidewinder afin d'augmenter le dégagement camionnette-caravane nécessaire dans les braquages (voir le fabricant de la caravane pour les options) (voir Fig. 4). L'ajout d'un curseur (slider) 30048, 50008 ou 30092 peut s'avérer utile pour augmenter le dégagement de braquage dans les manoeuvres à basse vitesse hors des voies rapides.

**Fig. 4**



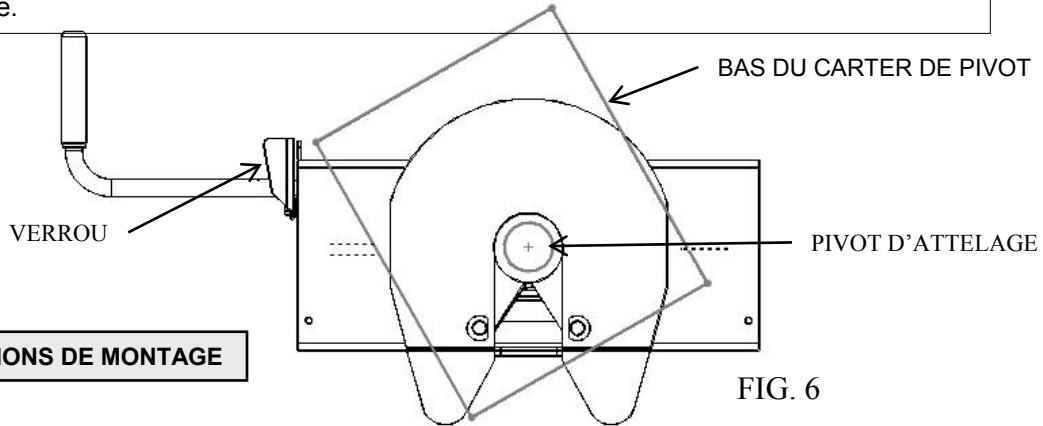
6. La hauteur de l'attelage et du carter de pivot doit être ajustée de façon que la caravane soit à peu près de niveau lors du remorquage. Laisser environ 6 pouces de dégagement entre le dessus des parois de la camionnette et le dessous de l'avant de la caravane pour tenir compte de la pente et du roulis de la caravane (voir Fig. 5). Laisser encore plus de dégagement entre les parois de la camionnette et de la caravane dans le cas d'utilisations hors route.

**Fig. 5**



**⚠ Avertissement :**

Ne pas utiliser cet attelage pour remorquer une caravane dont le carter de pivot peut toucher ou gêner le verrou de manivelle lors d'un virage ! (Voir Fig. 6) La caravane risque de se dételer si le carter de pivot touche à la manivelle ou à son verrou lors d'un virage.



INSTRUCTIONS DE MONTAGE

FIG. 6

**⚠ AVERTISSEMENT :**

- Les connexions pour le câblage de remorque doivent se trouver sur le côté de la plateforme de la camionnette entre le siège du conducteur et le passage de roue à l'essieu arrière.
- La réalisation de connexions à l'arrière du passage de roue peut obliger l'utilisateur à se placer entre la camionnette et la caravane. **LORSQUE POSSIBLE, ÉVITER DE PLACER LE CORPS SOUS LA CARAVANE OU ENTRE CELLE-CI ET LA CAMIONNETTE !**
- Si l'on doit placer une partie quelconque du corps sous la caravane ou entre celle-ci et la camionnette :

- Il **FAUT** bloquer toutes les roues de la caravane à l'avant et l'arrière de chaque pneu **ET**
- La béquille de la caravane **DOIT** reposer sur un sol ferme **ET**
- La camionnette **DOIT** être en stationnement et stable, freins d'urgence actionnés !

1. Se reporter à la Fig. 19 de la dernière page. Les numéros entre parenthèses correspondent aux pièces de la Fig. 19.
2. Cet ensemble pour caravane à sellette est livré dans plusieurs boîtes. Les déballer et se familiariser avec les pièces énumérées sur la liste.
3. Placer deux traverses (28) en travers de la plate-forme (Fig. 7). Sélectionner un support latéral (22) et placer les languettes dans la fente rectangulaire la plus à l'extérieur des traverses. Glisser les chevilles longues (25) dans les trous des traverses, depuis l'extérieur vers l'intérieur comme illustré, de façon que les goupilles fendues se trouvent sur l'intérieur des traverses. Répéter pour l'autre support latéral. Verrouiller les chevilles à l'aide des goupilles à ressort (26).

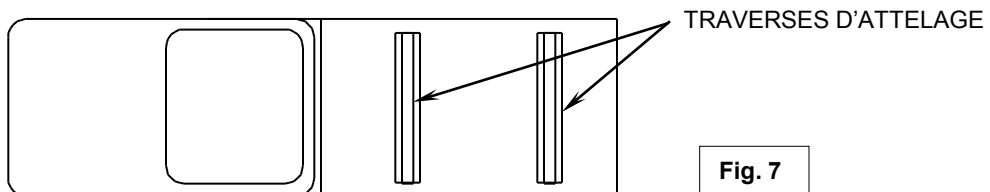


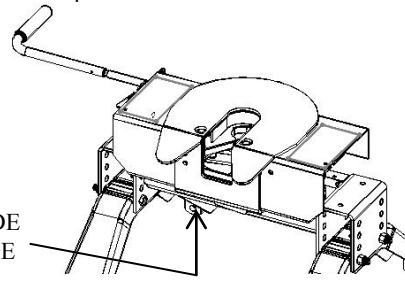
Fig. 7

4. Sélectionner le support de tête (17) et l'installer sur le support latéral en alignant les trous selon la hauteur d'attelage souhaitée (position basse à 13 po, haute à 17 po). Poser quatre boulons hex. 1/2-13 x 4.5" (21) (têtes vers l'intérieur comme illustré) et contre-écrous (20).
5. Serrer les écrous 1/2" à 75 lb-pi.
6. Installer les traverses et les supports de montage selon les instructions qui les accompagnent. Instructions supplémentaires en page 10.

**⚠ AVERTISSEMENT**

Les traverses doivent être boulonnées à travers le plancher de la camionnette sur les supports qui se fixent au cadre de la camionnette. **NE PAS FIXER UNIQUEMENT AU PLANCHER.** Le plancher seul n'est pas assez robuste pour supporter les charges exercées par la caravane.

7. Installer la manivelle extérieure (2) dans le tube de manivelle intérieur (4) et les relier à l'aide de la goupille fendue. Courber la goupille pour la maintenir en place. Vérifier que le boulon de verrou (8) est bien serré. Ne pas serrer excessivement. Un mouvement ferme de la main doit pouvoir bouger le verrou (3). Vérifier que tous les anneaux de retenue sont en place.



**AVANT CHAQUE DÉPLACEMENT :**

EMBOUIT DE  
GRAISSAGE

1. Lubrifier la surface de la plaque de protection de l'attelage (voir l'illustration sur la couverture du manuel) à l'aide d'une graisse pour châssis de véhicule ou appliquer une plaque lubrifiante en plastique. Graisser le verrou de pivot de 1-1/2 po de diamètre à l'aide de l'embout de graissage fourni. Utiliser de l'huile à moteur pour lubrifier les points de pivotement des pièces mobiles de l'attelage.
2. Les plaques lubrifiantes permettent d'éviter les souillures de graisse. L'épaisseur de la plaque lubrifiante ne doit pas excéder 3/16 de pouce pour assurer le bon fonctionnement de l'attelage. Le diamètre de la plaque lubrifiante doit être égal ou supérieur à 10 pouces afin de répartir correctement le poids du pivot d'attelage.
3. Avant chaque déplacement ou manoeuvre, actionner la manivelle et vérifier que les mâchoires s'ouvrent et se ferment librement.
4. Veiller à ce que toutes les chevilles d'attelage (no 25 de la Fig. 20) soient en place et que les goupilles fendues à ressort (no 26 de la Fig.20) soient posées.

**PROCÉDURE D'ATTELAGE :**

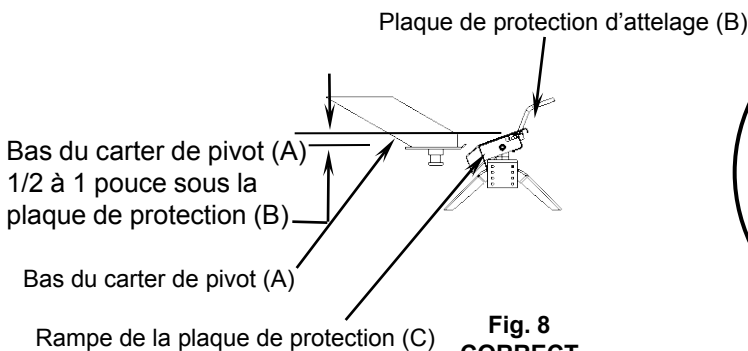
**IMPORTANT : VOUS ÊTES RESPONSABLE DE LA SÉCURITÉ DES MANOEUVRES D'ATTELAGE ET DE DÉTELAGE. NE VOUS FIEZ PAS AUX AUTRES POUR VOUS ACQUITTER DE VOTRE OBLIGATION. VOUS DEVEZ PERSONNELLEMENT VOUS ASSURER QUE LES ÉTAPES SUIVANTES SONT EFFECTUÉES DANS L'ORDRE INDIQUÉ !**

**⚠ AVERTISSEMENT :**

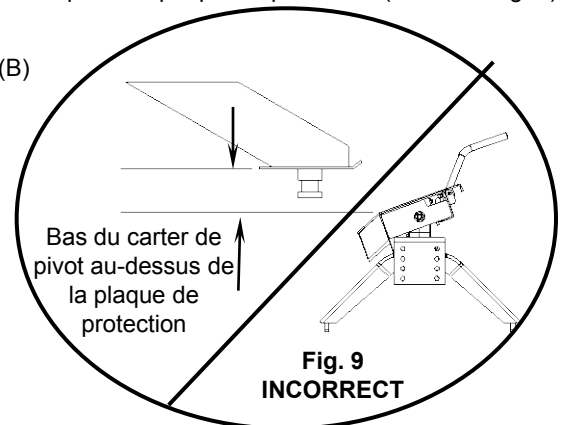
**L'omission d'observer les instructions suivantes peut causer des blessures sévères, voire la mort.**

1. Placer les cales (parfois nommées "blocs") fermement contre l'avant et l'arrière de chaque roue de la caravane afin de prévenir tout mouvement avant ou arrière. ATTENDRE QUE CHACUNE DES ÉTAPES SUIVANTES ET LE TEST DE TRACTION SOIENT TERMINÉS AVANT DE RETIRER LES CALES. Abaisser le hayon si nécessaire.

2. À l'aide des vérins de caravane, ajuster la hauteur de la caravane (en suivant les directives dans le manuel de la caravane) de façon que le bas du carter de pivot ("A" de la Fig. 6) se situe de 1/2 à 1 pouce sous la plaque de protection (voir "B" de la Fig. 8). Durant la manoeuvre d'attelage, le bas du carter de pivot doit toucher la rampe de la plaque de protection ("C" de la Fig. 8)



**Fig. 8  
CORRECT**



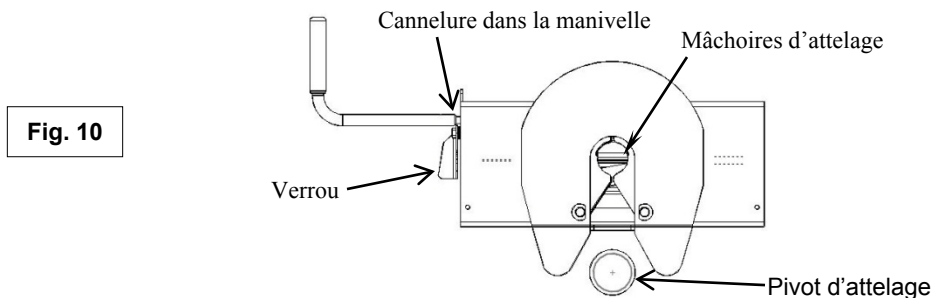
**Fig. 9  
INCORRECT**

**⚠ AVERTISSEMENT :**

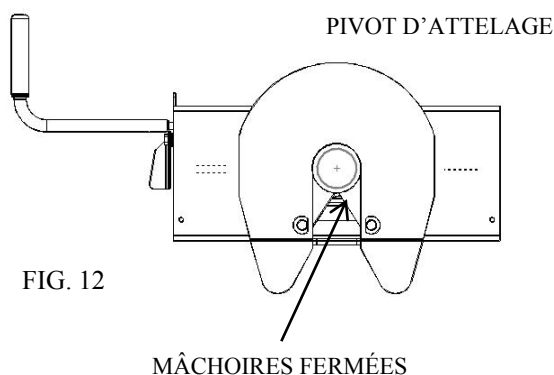
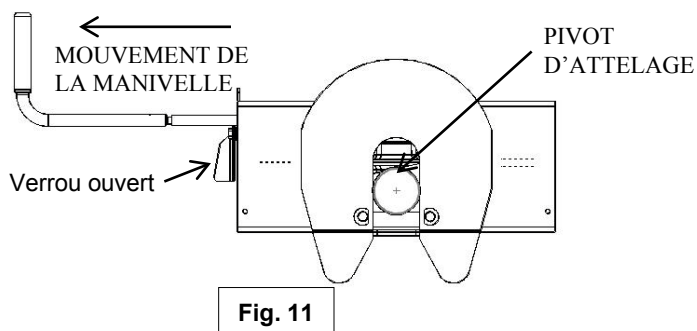
**L'omission de suivre cette instruction peut entraîner la hauteur excessive du pivot d'attelage et son appui sur le dessus des mâchoires en position fermée ou son insertion insuffisante à l'intérieur de ces mâchoires (voir Fig. 9). La caravane risque alors de se détacher de l'attelage. Le dételage de la caravane peut causer des blessures sérieuses, voire la mort, si une personne se trouve sous la caravane ou entre celle-ci et la camionnette au même moment.**



3. Tourner le verrou (voir Fig. 10) vers la caravane et le dégager de la cannelure de la manivelle. REMARQUE : Si le verrou est dans la cannelure de la manivelle, les mâchoires de l'attelage ne pourront s'ouvrir et on ne pourra obtenir un attelage adéquat.



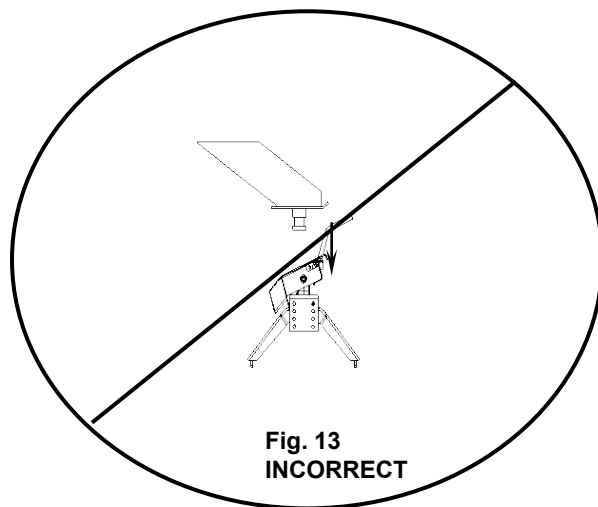
4. Manivelle en position fermée (voir Fig. 10), reculer lentement la camionnette vers la caravane. À mesure que le pivot d'attelage de la caravane pénètre dans l'attelage, il ouvrira les mâchoires et prolongera la manivelle (voir Fig. 11). Une fois le pivot d'attelage complètement dans la tête, des ressorts fermeront les mâchoires autour du pivot et la manivelle retournera en position fermée. (Voir Fig. 12)



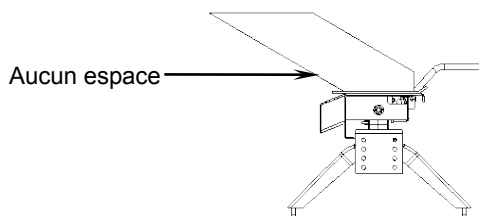
5. Utiliser uniquement la méthode décrite ci-dessus pour l'attelage.

**⚠ AVERTISSEMENT :**

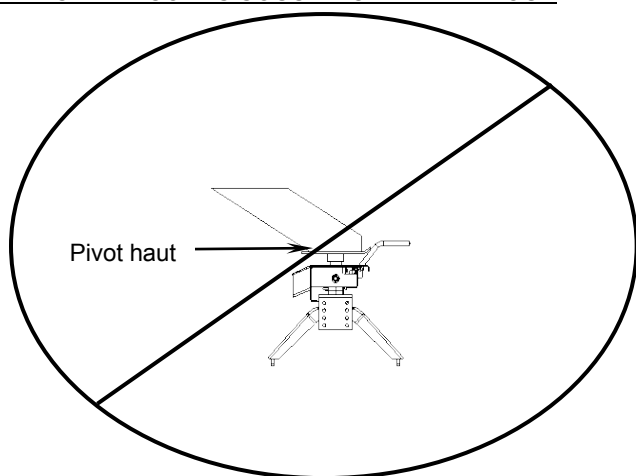
Ne pas tenter d'effectuer l'attelage en utilisant les vérins de la caravane pour abaisser celle-ci et le pivot d'attelage. Le pivot d'attelage risquerait de s'appuyer sur le dessus de la plaque de protection plutôt que dans l'ouverture de l'attelage où les mâchoires sont situées. Le pivot pourrait glisser hors de l'attelage et faire tomber la caravane, d'où un risque de blessures ou de décès (voir Fig. 13).



6. Avec toutes les roues de la caravane fermement bloquées, les béquilles de caravane appuyées solidement contre le sol et supportant le poids de la caravane et la camionnette en position de stationnement avec freins d'urgence appliqués, vérifier visuellement que le bas du carter de pivot repose sur le dessus de l'attelage. **AUCUN ESPACE NE DOIT APPARAÎTRE ENTRE CES SURFACES** (voir Fig. 13). La présence d'un espace (voir Fig. 14) indique que la caravane n'a pas été attelée correctement. **NE PAS REMORQUER LA CARAVANE !** À la place, répéter les étapes ci-dessus jusqu'à l'attelage adéquat de la caravane. **NE PAS PLACER LE CORPS SOUS LA CARAVANE POUR EFFECTUER CETTE INSPECTION !**

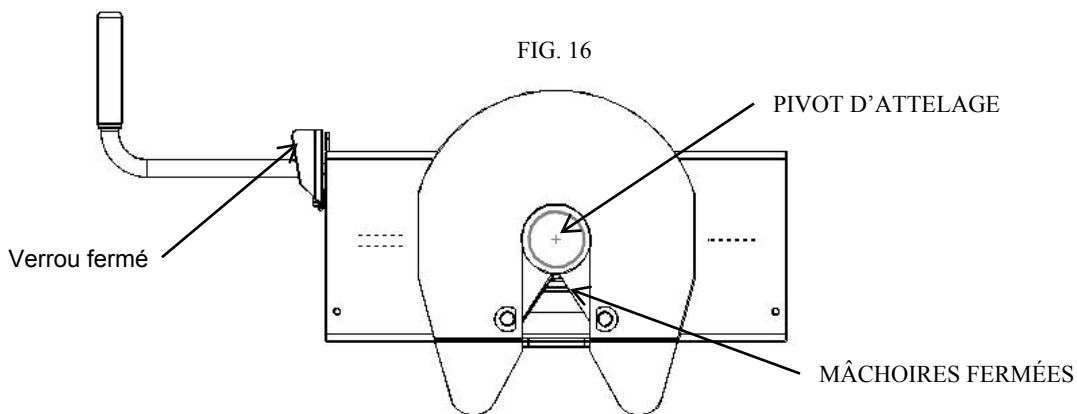


**Fig. 14  
CORRECT**



**Fig. 15  
INCORRECT**

7. Tourner le verrou de la manivelle en position fermée dans la cannelure de la manivelle pour être certain que les mâchoires d'attelage sont fermées et verrouillées. **SI LE VERROU N'EST PAS ALIGNÉE SUR LA CANNELURE DE LA MANIVELLE, ALORS LA CARAVANE N'A PAS ÉTÉ ATTELÉE CORRECTEMENT À L'ATTELAGE. NE PAS REMORQUER !** Répéter les étapes ci-dessus jusqu'à l'attelage adéquat de la caravane. (Voir Fig. 16)



8. Avec :

- Toutes les roues de caravane bloquées solidement à l'avant et l'arrière de chaque pneu, et
- La camionnette en position de stationnement, freins d'urgence appliqués, et
- La béquille de caravane reposant solidement contre un sol ferme pour supporter le poids de la caravane :

Connecter le câble électrique entre la camionnette et la caravane, connecter le câble de l'interrupteur de dérive depuis le carter de pivot jusqu'à une partie permanente du camion, puis refermer le hayon de la camionnette.

**⚠ AVERTISSEMENT**

**•LORSQUE POSSIBLE, ÉVITER DE PLACER LE CORPS SOUS LA CARAVANE OU ENTRE CELLE-CI ET LA CAMIONNETTE !**

**• Si l'on doit placer une partie quelconque du corps sous la caravane ou entre celle-ci et la camionnette :**

- **Il FAUT bloquer toutes les roues de la caravane à l'avant et l'arrière de chaque pneu ET**
- **La béquille de la caravane DOIT doit reposer sur un sol ferme ET**
- **La camionnette DOIT être en stationnement et stable, freins d'urgence actionnés !**

## TEST DE TRACTION

### **AVERTISSEMENT :**

**L'omission de procéder à ce test peut causer des blessures sévères, voire la mort!**

1. Avec :

- Toutes les roues de la caravane fermement bloquées, et
- Les béquilles de caravane appuyées solidement contre le sol et supportant le poids de la caravane, et
- La camionnette en position de stationnement avec freins d'urgence appliqués :

Retourner dans la cabine de la camionnette et relâcher les freins d'urgence de la camionnette. Appliquer les freins de la caravane. En étant certain que personne ne se trouve entre la camionnette et la caravane, tenter de tirer lentement la caravane vers l'avant avec la camionnette. Si la caravane est correctement attelée, les roues vont se bloquer et les freins de la caravane vont empêcher la camionnette d'avancer.

**REMARQUE :** Si la caravane n'est pas adéquatement attelée, elle va se séparer de l'attelage et la camionnette avancera en laissant la caravane derrière. Si la béquille de la caravane repose encore solidement sur le sol pour supporter le poids de la caravane et que les roues sont bloquées, la caravane ne risque pas de tomber.

### **AVERTISSEMENT :**

**L'omission de bloquer les roues et d'abaisser les vérins contre le sol peut entraîner le déplacement ou la chute soudaine de la caravane. On risque alors des blessures sérieuses, voire la mort !**

2. Une fois les étapes ci-dessus réalisées avec succès, remonter complètement la béquille de caravane (voir le manuel de la caravane).
3. Inspecter les circuits électriques pour assurer leur bon fonctionnement (feux de gabarit, de direction, d'arrêt, etc.).
4. Enlever et ranger toutes les cales de roues.

## PROCÉDURE DE DÉTELAGE :

### **EFFECTUER LES ÉTAPES SUIVANTES DANS CET ORDRE :**

1. Placer les cales fermement contre l'avant et l'arrière de chaque roue de la caravane pour empêcher tout mouvement vers l'avant ou l'arrière.
2. À l'aide des vérins de caravane, abaisser la béquille (suivre les instructions du manuel de la caravane) jusqu'à ce qu'elle repose solidement contre un sol ferme.
3. S'assurer que la camionnette est en position stationnement, freins d'urgence actionnés.

### **AVERTISSEMENT :**

**Les caravanes qui ne sont pas stables ou correctement attelées peuvent tomber et vous tuer !  
Pour prévenir les blessures ou la mort :**

- Il **FAUT** bloquer toutes les roues de la caravane à l'avant et l'arrière de chaque pneu **ET**
- La béquille de la caravane **DOIT** doit reposer sur un sol ferme **ET**
- La camionnette **DOIT** être en position de stationnement et stable, freins d'urgence actionnés !

4. Abaisser le hayon de la camionnette.
5. Débrancher le câble d'alimentation électrique et celui de l'interrupteur de dérive entre la camionnette et la caravane.
6. Tourner le verrou de la manivelle d'attelage vers la caravane et le dégager de la cannelure de la manivelle. (Fig. 17 de la page suivante)
7. Tirer complètement la manivelle jusqu'à ce qu'elle se bloque en position ouverte de façon que le pivot d'attelage ne soit plus agrippé par les mâchoires d'attelage (voir Fig. 18 de la page suivante). La caravane est maintenant détachée de l'attelage et de la camionnette. Si la manivelle ne peut être tirée, c'est qu'une pression s'exerce probablement sur les mâchoires. Pour relâcher cette pression, reculer la camionnette avec précaution. Remettre le frein d'urgence. Puis tirer la manivelle pour la sortir complètement jusqu'à ce qu'elle se verrouille en position ouverte. (Voir Fig. 18)

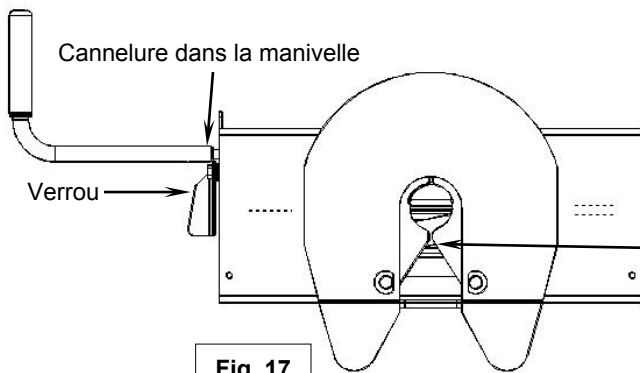


Fig. 17

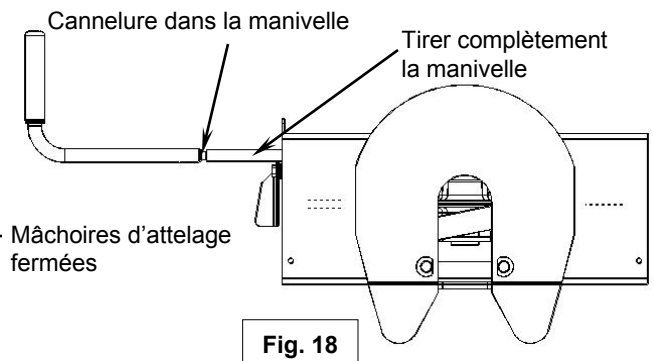


Fig. 18

8. VÉRIFICATION FAITE QUE PERSONNE NE SE TROUVE À L'AVANT DE LA CAMIONNETTE, OU ENTRE CELLE-CI ET LA CARAVANE, conduire lentement pour l'éloigner la caravane.

**⚠ AVERTISSEMENT**

**Lorsque possible, éviter de placer le corps sous la caravane ou entre celle-ci et la camionnette !  
Si l'on doit placer une partie quelconque du corps sous la caravane ou entre celle-ci et la camionnette :**

- Il **FAUT** bloquer toutes les roues de la caravane à l'avant et l'arrière de chaque pneu **ET**
- La béquille de la caravane **DOIT** doit reposer sur un sol ferme **ET**
- La camionnette **DOIT** être en position de stationnement et stable, freins d'urgence actionnés !

9. Fermer les mâchoires d'attelage en poussant la manivelle vers l'avant et le haut.  
(Les ressorts vont fermer les mâchoires.)

10. GARDER LES CALES DE ROUES EN PLACE. On prévient ainsi tout déplacement imprévu de la caravane.

**ENTRETIEN :**

1. Revérifier le serrage de toute la visserie à tous les 1000 milles (1610 km) d'utilisation.
2. Voir la section "Avant chaque déplacement" dans ce manuel.

**GARANTIE LIMITÉE DE DIX ANS**

No pièce : \_\_\_\_\_

Date de l'achat initial : \_\_\_\_\_

Propriétaire initial : \_\_\_\_\_

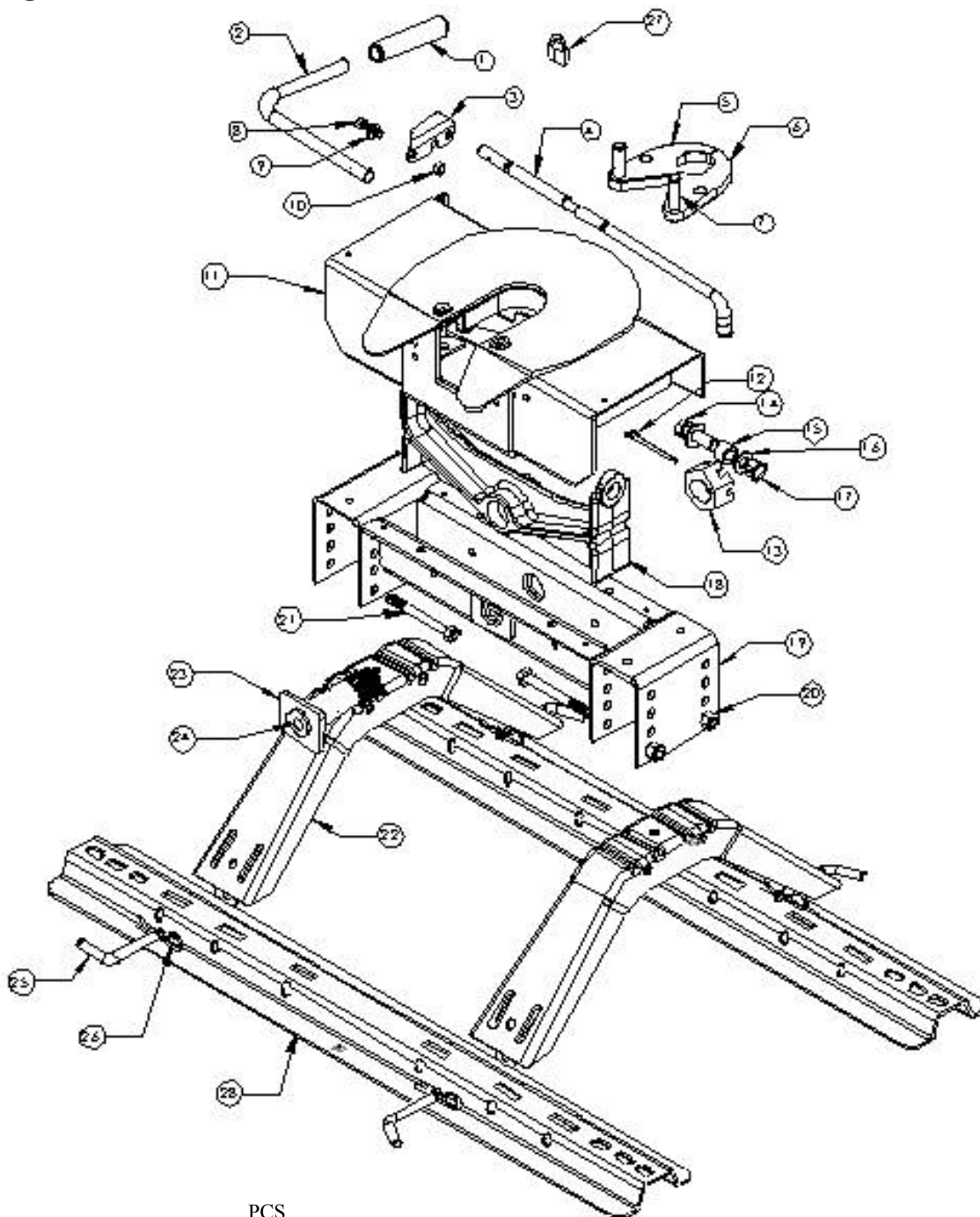
Installateur initial : \_\_\_\_\_

1. **Garantie Limitée de Dix Ans (« Garantie »).** Cequent Performance Products, Inc. (« Nous ») garantit à l'acheteur initial seulement (« Vous ») que le produit sera exempt de vices de matières et de fabrication, exception faite de l'usure normale, dans la mesure où l'installation et l'utilisation du produit sont conformes aux instructions accompagnant celui-ci. Aucune autre garantie, expresse ou implicite, ne s'applique, y compris les garanties relatives à la qualité marchande ou à l'adéquation à un usage particulier. Cette garantie n'est pas transférable.
2. **Limites de la garantie.** Cette garantie ne couvre pas : (a) l'usure normale; (b) les dommages causés par l'abus, la négligence, une mauvaise utilisation, ou résultant de tout accident survenu de quelque manière que ce soit; (c) les dommages causés par une application inappropriée, une charge excessive ou une installation inadéquate; (d) un entretien ou une réparation inadéquate; (e) un produit modifié de quelque manière que ce soit par quiconque d'autre que Nous, à l'exception des modifications stipulées dans les instructions accompagnant le produit et réalisées selon les règles de l'art.
3. **Obligations de l'acheteur.** Pour effectuer une réclamation, communiquez avec nous à notre adresse principale, 47912 Halyard Dr. Suite 100, Plymouth, MI 48170, 1-888-521-0510, et veuillez identifier le produit d'après le numéro de modèle et suivre les directives qui vous seront fournies. Tout produit retourné qui est remplacé par Nous devient notre propriété. Vous serez tenu d'assumer les frais d'expédition de retour. Veuillez conserver votre reçu d'achat afin que nous puissions en vérifier la date et confirmer que Vous êtes l'acheteur initial. Le produit et le reçu d'achat doivent Nous être fournis afin que nous puissions traiter Votre réclamation.
4. **Limites des recours.** Le remplacement du produit est Votre seul recours en vertu de cette Garantie. Nous ne sommes pas responsables des frais de service ou de main-d'œuvre encourus pour l'enlèvement ou la réinstallation d'un produit, ni des dommages accessoires ou indirects, quels qu'ils soient.
5. **Acceptation des risques.** Vous reconnaissez et acceptez que toute utilisation du produit à des fins autres que celle(s) stipulée(s) dans les instructions relatives au produit est faite à vos propres risques.
6. **Loi applicable.** Cette Garantie Vous confère des droits légaux spécifiques, et il se peut que Vous possédiez d'autres droits qui peuvent varier d'une province à l'autre. Cette Garantie est régie par les lois de l'État du Michigan, abstraction faite des règles relatives aux conflits de lois. Les cours de l'État situés dans le comté d'Oakland, Michigan, constituent les autorités judiciaires exclusives relativement à tout litige relevant de cette Garantie.

Cequent Performance Products, Inc.  
47912 Halyard Dr., Suite 100  
Plymouth, MI 48170



**Fig. 20**



PCS.

1. POIGNÉE DE MANIVELLE	(1)	14. BOULON 5/8-11 x 2	(2)	26. GOUPILLE	(4)
2. MANIVELLE EXTÉRIEURE	(1)	15. BAGUE	(2)	27. CADENAS	(1)
3. VERROU DE MANIVELLE	(1)	16. RONDELLE PLATE 5/8"	(4)	28. TRAVERSES (VENDUES SÉPARÉMENT)	
4. MANIVELLE INTÉRIEURE	(1)	17. CONTRE-ÉCROU 5/8-11	(2)		
5. MÂCHOIRE GAUCHE	(1)	18. POUTRE DE PIVOT	(1)		
6. MÂCHOIRE DROITE	(1)	19. SUPPORT DE TÊTE	(1)		
7. AXE DE PIVOT	(2)	20. CONTRE-ÉCROU 1/2-13	(4)		
8. BOULON 3/8-16 x 1-1/4"	(1)	21. BOULON 1/2-13 x 4-1/2"	(4)		
9. RONDELLE PLATE 3/8"	(3)	22. SUPPORTS LATÉRAUX (VENDUS SÉPARÉMENT)	(2)		
10. CONTRE-ÉCROU 3/8-16	(1)	23. VERROU DE PIVOT	(1)		
11. TÊTE	(1)	24. EMBOUT DE GRAISSAGE	(1)		
12. GOUPILLE FENDUE	(1)	25. CHEVILLE	(4)		
13. ÉCROU 1-1/2-12	(1)				

# MANUAL DE INSTRUCCIONES

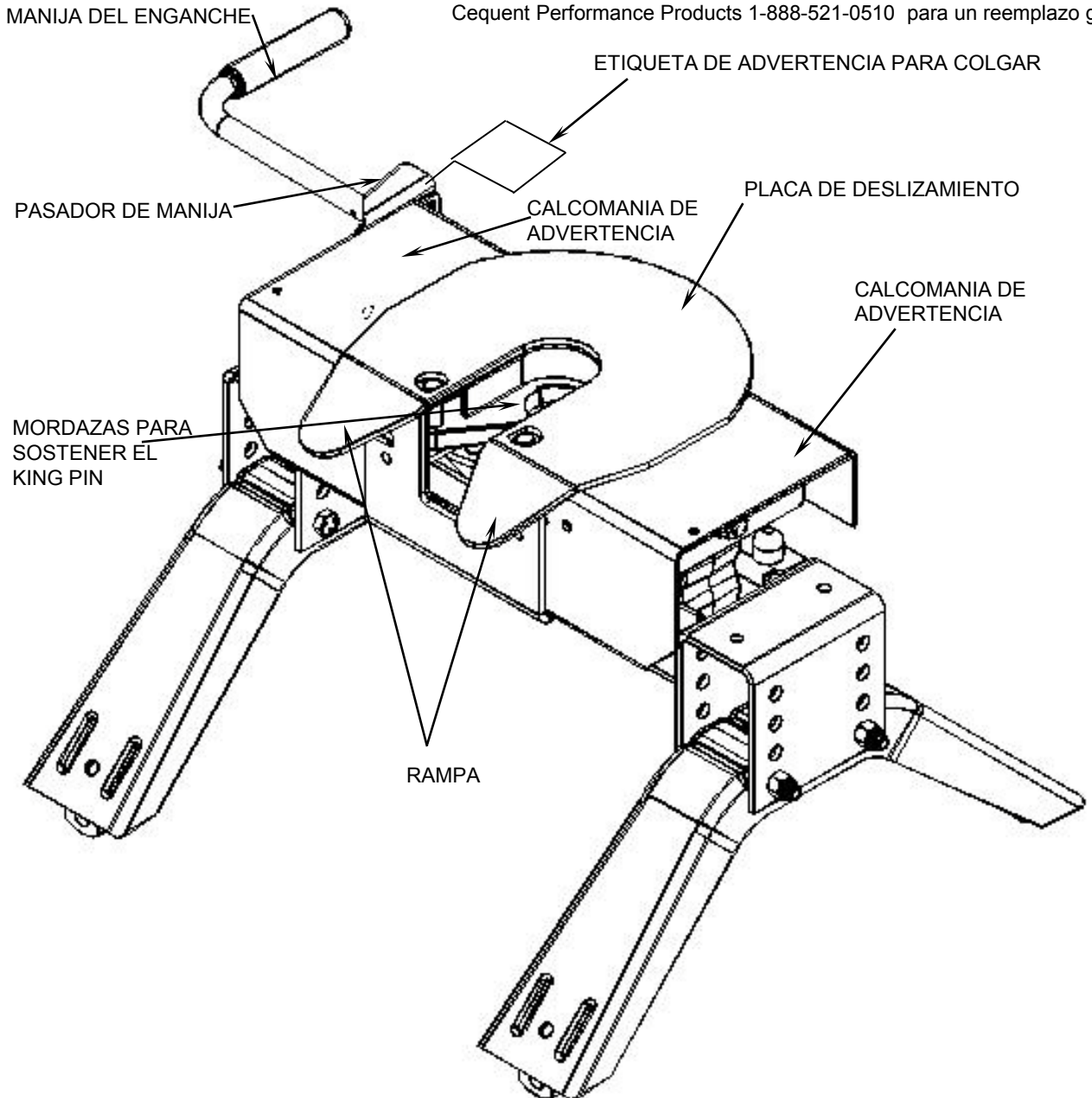
## SERIE PRO 20,000

### CONCESIONARIO/INSTALADOR:

- (1) Entregue este manual al usuario final.
- (2) Demuestre físicamente los procedimientos de enganche y desenganche en este Manual al usuario final.
- (3) Pida al usuario final que le demuestre que entiende los procedimientos.

### USUARIO FINAL:

- (1) Lea y siga este Manual cada vez que use el enganche.
- (2) Guarde este Manual y la etiqueta de advertencia del enganche para colgar como referencia futura.
- (3) Distribuya copias de este Manual y de la etiqueta de advertencia del enganche para colgar a cualquier otro usuario o propietario del enganche.
- (4) Nunca retire las calcomanías de advertencia del enganche que se muestran en la portada de este manual. Si se dañan, póngase en contacto con Cequent Performance Products 1-888-521-0510 para un reemplazo gratuito.



**Para asistencia con la instalación o para ayuda técnica, llame al 1-888-521-0510**

**⚠ ADVERTENCIA:**

**¡No seguir estas instrucciones puede resultar en la muerte o en lesiones serias!**

**ÍNDICE**

1. PAUTAS PARA AJUSTAR EL VEHÍCULO DE REMOLQUE Y EL REMOLQUE	P. 2
2. INSTRUCCIONES DE INSTALACIÓN:	P. 4
3. ANTES DE CADA VIAJE	P. 5
4. PROCEDIMIENTOS PARA EL ENGANCHE	P. 5
5. PRUEBA DE HALAR	P. 8
6. PROCEDIMIENTO PARA EL DESENGANCHE	P. 8
7. MANTENIMIENTO	P. 9
8. GARANTÍA LIMITADA DE 3 AÑOS DE CEQUENT PERFORMANCE PRODUCTS	P. 9

**PAUTAS PARA AJUSTAR EL CAMIÓN DE ENGANCHE Y EL REMOLQUE**

**⚠ ADVERTENCIA:**

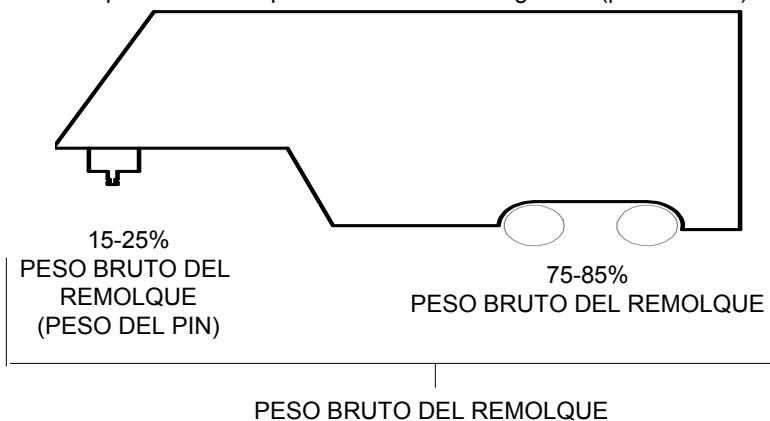
- El remolque y su contenido combinados no deben exceder las calificaciones del camión, enganche y/o remolque.
- El vehículo de remolque debe tener una capacidad de remolque establecida por el fabricante que sea igual o superior al peso bruto del remolque (peso seco del remolque más la carga útil del remolque). (Ver Fig. 1)
- El peso bruto del remolque no debe exceder 20,000 libras.
- El peso del King pin no debe exceder 5000 libras (Ver Fig. 2). Si tiene dudas haga pesar el king pin en un centro calificado.

**Fig. 1**



1. Este enganche está diseñado para uso con remolques de recreación de quinta rueda únicamente. Las aplicaciones del enganche diferentes a los remolques de quinta rueda deben aprobarse por escrito por parte del Departamento de Ingeniería de Towing Product.
2. Use únicamente un king pin SAE de 2 pulgadas con este enganche de quinta rueda.
3. Aproximadamente 15%-25% del peso del remolque debe estar en el enganche (peso del Pin). Ver Fig. 2

**Fig. 2**

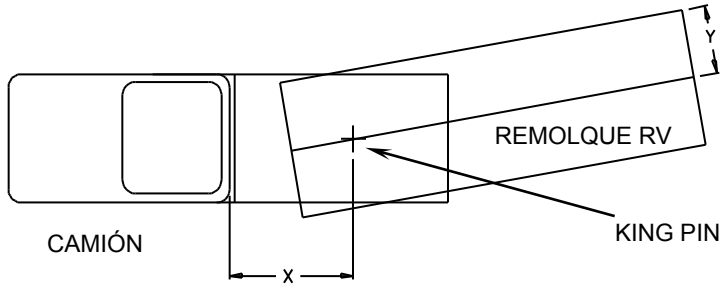




4. Los camiones vienen en configuraciones diferentes. Este enganche está diseñado para uso en camiones livianos como la serie Ford F- el Chevy Silverado y el Dodge Ram. Este enganche se recomienda para uso con camiones livianos de plataforma larga (8 pies) para la mejor combinación de camión - remolque para despeje de giro.

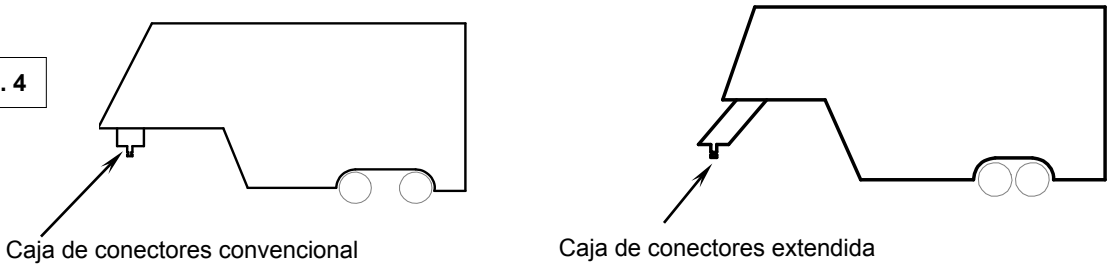
Regla de oro: La distancia desde la parte posterior de la cabina del camión hasta el centro del eje posterior del camión ("X" en Fig. 3), debe ser aproximadamente 4 pulgadas más que la mitad del ancho del remolque ("Y" en Fig.3) a menos que se use una caja de conectores Sidewinder o Revolution.

**Fig. 3**



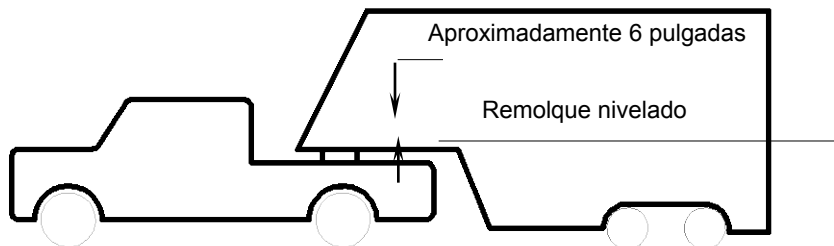
5. Si se va a usar una camioneta de plataforma corta (menos de 8 pies pero más de 6 pies) para remolque, Cequent Performance Products recomienda que el remolque esté equipado con una caja de conectores Sidewinder para ayudar a ganar despeje adicional de giro entre el camión - remolque (Consulte con el fabricante del remolque para opciones) (Ver Fig. 4). O también puede ser útil agregar un deslizador **30048 ó 50008 ó 30092** para mayor despeje de giro para maniobrar a baja velocidad fuera de la carretera.

**Fig. 4**



6. La altura del enganche y de la caja de conectores se debe ajustar de manera que el remolque esté nivelado aproximadamente a medida que se remolca. Permita aproximadamente 6 pulgadas de despeje entre la parte superior de las paredes de la camioneta y el lado inferior del frente del remolque para el cabeceo y roldo del remolque. (Ver Fig. 5) Permita más despeje entre las paredes de la camioneta y el remolque para uso fuera de la carretera.

**Fig. 5**



**⚠ ADVERTENCIA:**

¡No use este enganche para remolcar un remolque con un caja de conectores que podría hacer contacto o interferir con el pasador para la manija del enganche cuando esté girando! (Ver Fig. 6) Si la caja de conectores hace contacto con la manija del enganche o su pasador cuando se está girando, el remolque podría desengancharse.

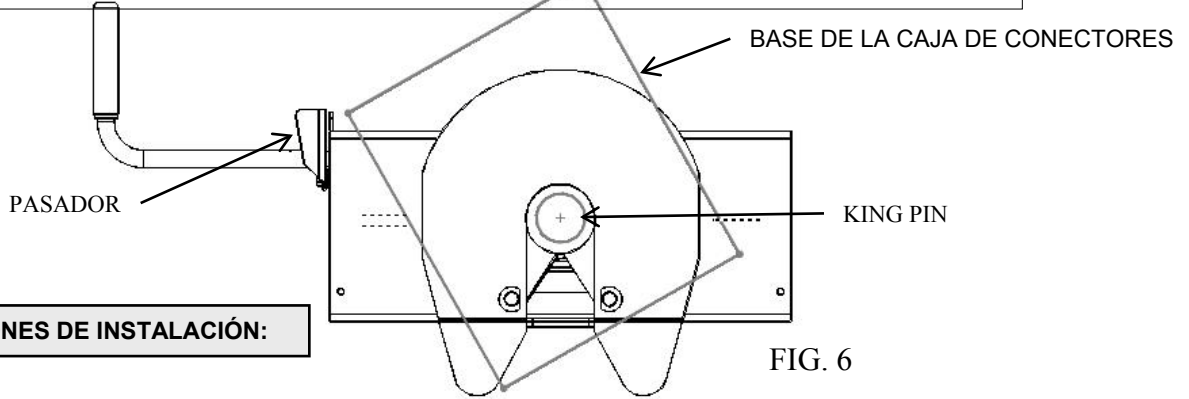


FIG. 6

**INSTRUCCIONES DE INSTALACIÓN:**

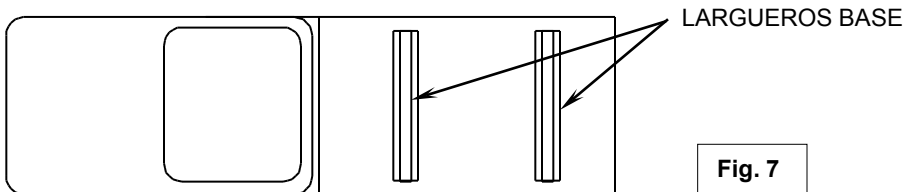
**⚠ ADVERTENCIA:**

- La conexión del cableado del remolque debe ser en el costado de la plataforma del camión entre el asiento del conductor y el receptáculo de la rueda para el eje posterior del camión
- La instalación de la conexión detrás del receptáculo de la rueda podría resultar en que el usuario coloque el cuerpo entre el camión y el remolque. **¡CUANDO ESTO SEA POSIBLE, EVITE COLOCARSE DEBAJO DEL REMOLQUE O ENTRE EL CAMIÓN Y EL REMOLQUE!**
- Si necesita colocar alguna parte de su cuerpo debajo del remolque o entre el camión y el remolque:
  - Todas las ruedas del remolque se **DEBEN** bloquear por el frente y por detrás de cada llanta **Y**
  - El tren delantero del remolque **DEBE** descansar en tierra firme **Y**
  - ¡El camión **DEBE** estar estacionario, en posición de parqueo, con el freno de emergencia activado!

1. Consulte la Fig. 19 en la página de atrás. Los números en paréntesis se refieren a las partes en la Fig. 19.

2. El kit de 5ta rueda viene en varios empaques. Desempaque y familiarícese con las partes en la lista de partes.

3. Coloque dos largueros base (28) a lo ancho de la plataforma del camión (Ver Fig. 7). Seleccione una pata (22) y coloque las lengüetas a través de la ranura rectangular más posterior en los largueros base. Deslice los pasadores largos de halar (25) a través de los orificios en los largueros base desde el exterior como se muestra de manera que los pasadores de bisagra estén en el interior de los largueros base. Repita para la otra pata. Asegure los pasadores de halar con pasadores retenedores de resorte (26)



4. Seleccione el soporte de cabeza (17) e instale en los orificios de alineación de la pata a la altura deseada del enganche. (Posición más baja 13", más alta 17"). Instale cuatro pernos hexagonales 1/2-13 x 4.5" (21), (con las cabezas orientadas hacia el interior como se muestra) y tuercas de bloqueo (20).

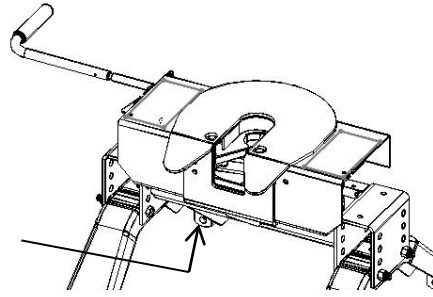
5. Apriete las tuercas 1/2" a 75 lb. pies.

6. Instale los largueros base y los soportes de montaje como se describe en las instrucciones. Instrucciones adicionales en la página 10.

**⚠ ADVERTENCIA**

Los largueros base se deben atornillar a través del piso de la camioneta a los soportes que se unen al bastidor del vehículo. **NO INSTALE SUJETANDO AL PISO DE LA CAJA DEL VEHÍCULO ÚNICAMENTE.** El piso no es suficiente para soportar la carga impuesta por el remolque.

7. Instale la manija tubular exterior (2) sobre la manija sólida interior (4) y una con el pasador de bisagra. Doble el pasador de bisagra para sostener en su lugar. Revise que el perno pasador (8) esté firme. No apriete en exceso (el pasador (3) se debe poder mover con un esfuerzo manual firme). Revise para ver que todos los aros de retención estén en su lugar.



GRASA ZERK

**ANTES DE CADA VIAJE:**

1. Lubrique la superficie de la placa de deslizamiento (ver figura en portada del Manual) con grasa de chasis tipo automotriz o use una placa plástica de lubricación para obtener una superficie lubricada. Engrase el pasador giratorio 1-1/2" con la grasa Zerk que se suministra. Use aceite de motor para lubricar los puntos de giro de las partes en movimiento dentro del enganche.
2. Se pueden usar placas plásticas de lubricación para evitar el derrame de grasa. La placa plástica de lubricación no debe exceder 3/16 de pulgada en espesor para garantizar que el enganche opere correctamente. Las placas de lubricación deben tener 10 pulgadas de diámetro o más para distribuir correctamente el peso del king pin.
3. Antes de cada viaje o maniobra, opere la manija y revise que las mordazas se abran y cierren libremente.
4. Verifique que todos los pasadores de halar del enganche (# 25 en Fig. 20) estén en su lugar y que los pasadores retenedores de resorte (#26 en Fig. 20) estén instalados.

**PROCEDIMIENTOS PARA EL ENGANCHE:**

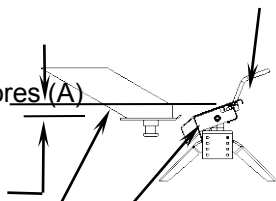
**IMPORTANTE: USTED ES RESPONSABLE POR LA OPERACIÓN SEGURA DE ENGANCHE Y DESENGANCHE. NO CONFÍE EN OTROS PARA QUE CUMPLAN CON SU OBLIGACIÓN. USTED DEBE VERIFICAR PERSONALMENTE QUE SE CUMPLAN LOS SIGUIENTES PASOS EN EL SIGUIENTE ORDEN!**

**⚠ ADVERTENCIA:**

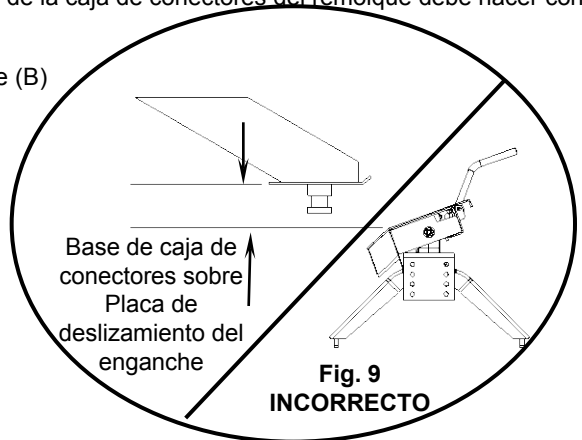
**¡No seguir estas instrucciones puede resultar en la muerte o en lesiones serias!**

1. Coloque los bloques firmemente contra el frente y parte posterior de cada rueda del remolque para evitar cualquier posible movimiento hacia adelante o hacia atrás. **NO RETIRE LOS BLOQUES HASTA COMPLETAR CADA UNO DE LOS SIGUIENTES PASOS Y LA PRUEBA DE HALAR.** Baje la puerta trasera de ser necesario.
2. Con los gatos del remolque, ajuste la altura del remolque siguiendo las instrucciones en el manual del remolque de manera que la base de la caja de conectores del remolque ("A" en Fig. 6) esté 1/2 a 1 pulgada debajo de la placa de deslizamiento (Ver "B" en Fig. 8). Durante la maniobra de enganche, la base de la caja de conectores del remolque debe hacer contacto con la rampa de la placa de deslizamiento ("C" en Fig. 8).

Placa de deslizamiento del enganche (B)



**Fig. 8  
CORRECTO**

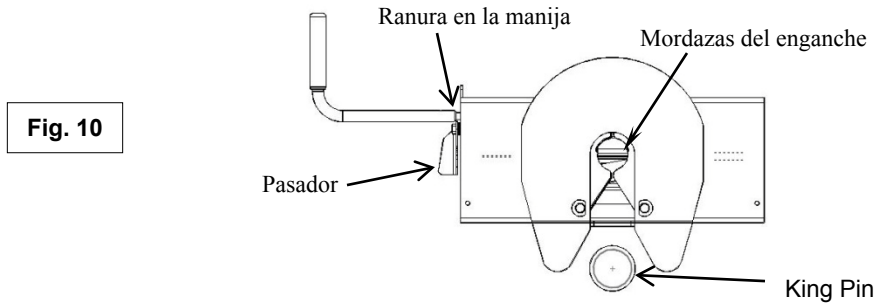


**Fig. 9  
INCORRECTO**

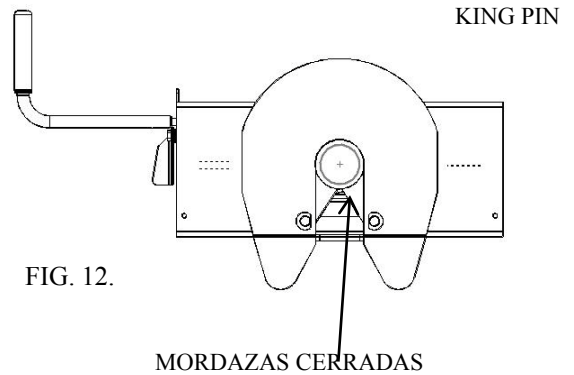
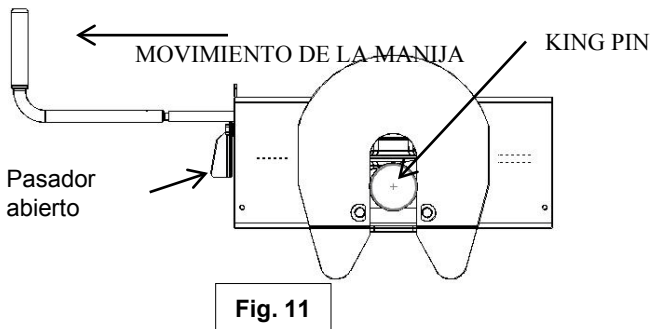
**⚠ ADVERTENCIA:**

No seguir esta instrucción puede resultar en que el king pin quede muy alto y descansa sobre las mordazas cerradas o no quede completamente dentro de ellas (Ver Fig. 9). Esto podría resultar en la separación del enganche del remolque, lo que podría resultar en muerte o lesión personal si alguien está debajo del remolque o entre el camión y el remolque cuando ocurra la separación.

3. Rote el pasador (ver Fig. 10) hacia el remolque y libere de la ranura en la manija. **NOTA:** Las mordazas del enganche no se abrirán y no habrá un enganche correcto si el pasador está en la ranura de la manija.



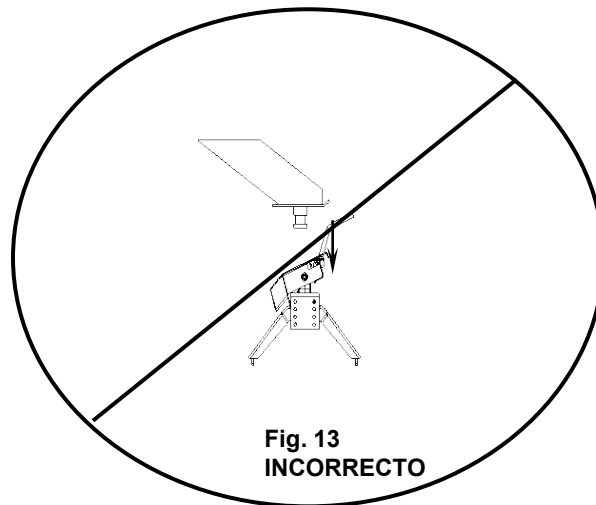
4. Con la manija en la posición cerrada (Ver Fig. 10), reverse el camión lentamente hacia el remolque. A medida que el king pin entra al enganche empujará las mordazas del enganche abriéndolas y extenderá la manija (Ver Fig. 11). A medida que el king pin introduce completamente la cabeza, las mordazas se cerrarán alrededor del king pin y la manija regresará a la posición cerrada. (Ver Fig. 12)



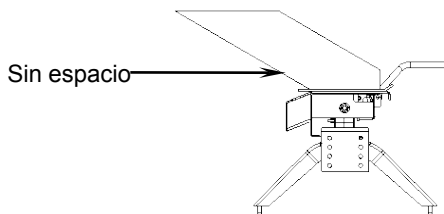
5. Use únicamente el método descrito arriba para el enganche.

**⚠ ADVERTENCIA:**

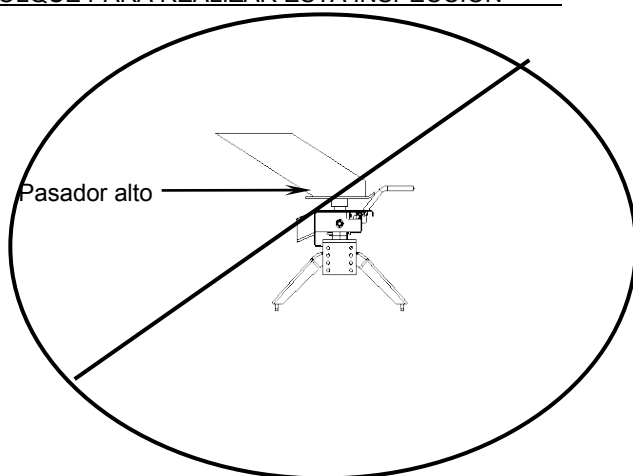
No intente enganchar usando los gatos del remolque para bajar el remolque y el king pin. Esto podría resultar en que el king pin quede sobre la placa de deslizamiento en vez de quedar dentro de la abertura del enganche donde se encuentran las mordazas. El King pin podría deslizarse del enganche y el remolque podría caer, lo que puede resultar en la muerte o lesiones personales (Ver Fig. 13).



6. Con todas las ruedas del remolque todavía firmemente bloqueadas, el tren delantero todavía apoyado en tierra firme y soportando el peso del remolque, y el camión estacionario y en posición de parqueo con el freno de emergencia: revise visualmente que la base de la caja de conectores esté apoyada encima del enganche. **NO DEBE HABER ESPACIO ENTRE ESTAS SUPERFICIES** (Ver Fig. 14). Si queda espacio, (Ver Fig. 15) el remolque no se ha enganchado correctamente. ¡NO REMOLQUE! En vez, repita los pasos anteriores hasta que el enganche esté correctamente enganchado. **NO COLOQUE EL CUERPO DEBAJO DEL REMOLQUE PARA REALIZAR ESTA INSPECCIÓN**

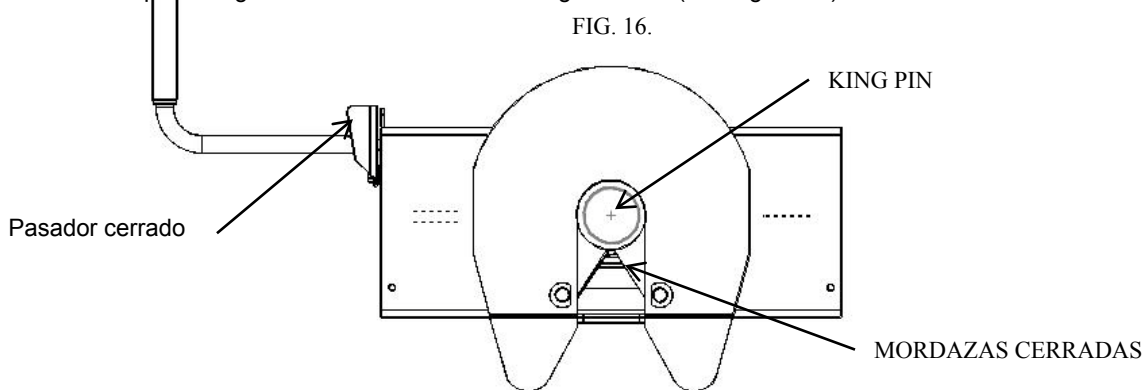


**Fig. 14  
CORRECTO**



**Fig. 15  
INCORRECTO**

7. Rote el pasador de la manija del enganche a la posición cerrada en la ranura de la manija para verificar que las mordazas del enganche estén cerradas. **SI EL PASADOR NO ESTÁ ALINEADO CON LA RANURA EN LA MANIJA, EL REMOLQUE NO SE HABRÁ CONECTADO CORRECTAMENTE AL ENGANCHE. ¡NO REMOLQUE!** Repita los pasos anteriores hasta que el enganche esté correctamente enganchado. (Ver Figura 16)



8. Con:

- Todas las ruedas del remolque todavía firmemente bloqueadas por el frente y por detrás de cada llanta y
- El camión estacionario con el freno de emergencia activado y
- El tren delantero todavía apoyado en tierra firme y soportando el peso del remolque y
- El camión estacionario con el freno de emergencia activado:

Conecte el cable eléctrico entre el camión y el remolque, conecte el cable del interruptor de rompimiento de la caja de conectores a una parte permanente del camión y levante la puerta trasera del camión.

**⚠ ADVERTENCIA**

•**¡CUANDO SEA POSIBLE, EVITE COLOCARSE DEBAJO DEL REMOLQUE O ENTRE EL CAMIÓN Y EL REMOLQUE!**

•**Si necesita colocar alguna parte de su cuerpo debajo del remolque o entre el camión y el remolque:**

- Todas las ruedas del remolque se DEBEN bloquear por el frente y por detrás de cada llanta Y**
- **El tren delantero del remolque DEBE descansar en tierra firme Y**
- **¡El camión DEBE estar estacionario, en posición de parqueo, con el freno de emergencia activado!**

## PRUEBA DE HALAR

### **ADVERTENCIA:**

¡No realizar esta prueba puede resultar en la muerte o en lesiones serias!

#### 1. Con:

- Todas las ruedas del remolque todavía firmemente bloqueadas, y
- El tren delantero todavía apoyado en tierra firme y soportando el peso del remolque y
- El camión estacionario con el freno de emergencia activado:

Regrese a la cabina del camión y libere el freno de emergencia del camión. Aplique los frenos del remolque. Después de verificar que no haya nadie entre el camión y el remolque, intente halar el remolque lentamente hacia adelante con el camión. Si el remolque está correctamente enganchado, los bloques de la ruedas y los frenos del remolque deben evitar que el camión avance.

**NOTA:** Si el remolque no está correctamente enganchado, el remolque se separará del enganche y el camión se moverá hacia adelante y dejará el remolque atrás. Si el tren delantero del remolque todavía está apoyado en tierra firme soportando el peso del remolque y las ruedas están bloqueadas, el remolque no se podrá caer

### **ADVERTENCIA:**

No mantener las ruedas bloqueadas y el tren delantero abajo podría resultar en movimiento o caída repentina del remolque. ¡Esto podría resultar en la muerte o lesión seria!

2. Después de realizar con éxito los pasos anteriores, levante completamente el tren delantero del remolque (ver el manual del remolque).
3. Revise e inspeccione todos los circuitos eléctricos para una operación correcta. (Luces de despeje, direccionales, luces de freno, etc.).
4. Retire y guarde todos los bloques de las ruedas del remolque.

## PROCEDIMIENTO DE DESENGANCHE:

### REALICE LO SIGUIENTE EN ESTE ORDEN:

1. Coloque los bloques firmemente contra el frente y parte posterior de cada rueda del remolque para evitar cualquier posible movimiento hacia atrás o hacia adelante.
2. Con los gatos del remolque, baje el tren delantero siguiendo las instrucciones en el Manual del remolque hasta que las patas del tren delantero estén apoyadas en tierra firme.
3. Verifique que el camión esté estacionado con el freno de emergencia activado.



### **ADVERTENCIA:**

¡Los remolques que no están estables o correctamente enganchados puede caer y causarle la muerte!

Para evitar la muerte o una lesión seria:

- Todas las ruedas del remolque se **DEBEN** bloquear por el frente y por detrás de cada llanta **Y**
- El tren delantero del remolque **DEBE** descansar en tierra firme **Y**
- ¡El camión **DEBE** estar estacionario, en posición de parqueo, con el freno de emergencia activado!

4. Baje la puerta trasera del camión.
5. Desconecte el cable eléctrico y el cable del interruptor de rompimiento entre el camión y el remolque.
6. Rote el pasador de la manija del enganche hacia el remolque y libere de la ranura en la manija. (Fig. 17 en la siguiente página)
7. Hale la manija del enganche hacia afuera completamente hasta que enganche en la posición abierta de manera que el king pin ya no esté agarrado firmemente por las mordazas del enganche (Ver Fig. 18 en la siguiente página). El remolque está ahora libre del enganche y del camión. Si la manija no sale hacia afuera, probablemente haya presión contra las mordazas. Para aliviar esta presión, retroceda ligeramente el camión. Reinicialice el freno de emergencia del camión. Luego hale la manija del enganche hacia fuera completamente hasta que encaje en la posición abierta. (Ver Figura 18)

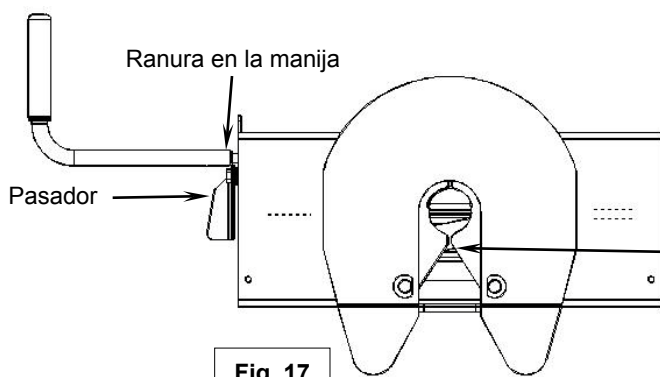


Fig. 17

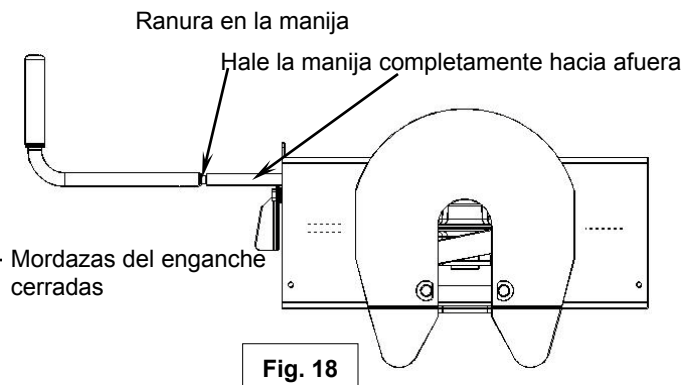


Fig. 18

8. DESPUÉS DE VERIFICAR QUE NO HAYA NADIE ENTRE EL CAMIÓN Y EL REMOLQUE O FRENTE AL CAMIÓN, conduzca el camión lentamente lejos del remolque.

### ⚠ **ADVERTENCIA**

Cuando sea posible, evite colocarse debajo del remolque o entre el camión y el remolque. Si necesita colocar alguna parte del cuerpo debajo del remolque o entre el camión y el remolque:

- Todas las ruedas del remolque se **DEBEN** bloquear por el frente y por detrás de cada llanta **Y**
  - El tren delantero del remolque **DEBE** descansar en tierra firme **Y**
  - El camión **DEBE** estar estacionario, en posición de parqueo, con el freno de emergencia activado!

9. Cierre las mordazas del enganche empujando la manija hacia adelante y hacia arriba (**El resorte cerrará las mordazas.**)

10. MANTENGA LOS BLOQUES DE LAS RUEDAS EN SU LUGAR. Esto impedirá que el remolque se mueva inesperadamente.

#### **Mantenimiento:**

1. Vuelva a revisar la firmeza de todas las piezas cada 1000 millas de uso.
2. Vea la sección "Antes de cada viaje" de este manual.

#### **GARANTÍA LIMITADA DE DIEZ AÑOS**

Número de parte: \_\_\_\_\_

Fecha de compra original: \_\_\_\_\_

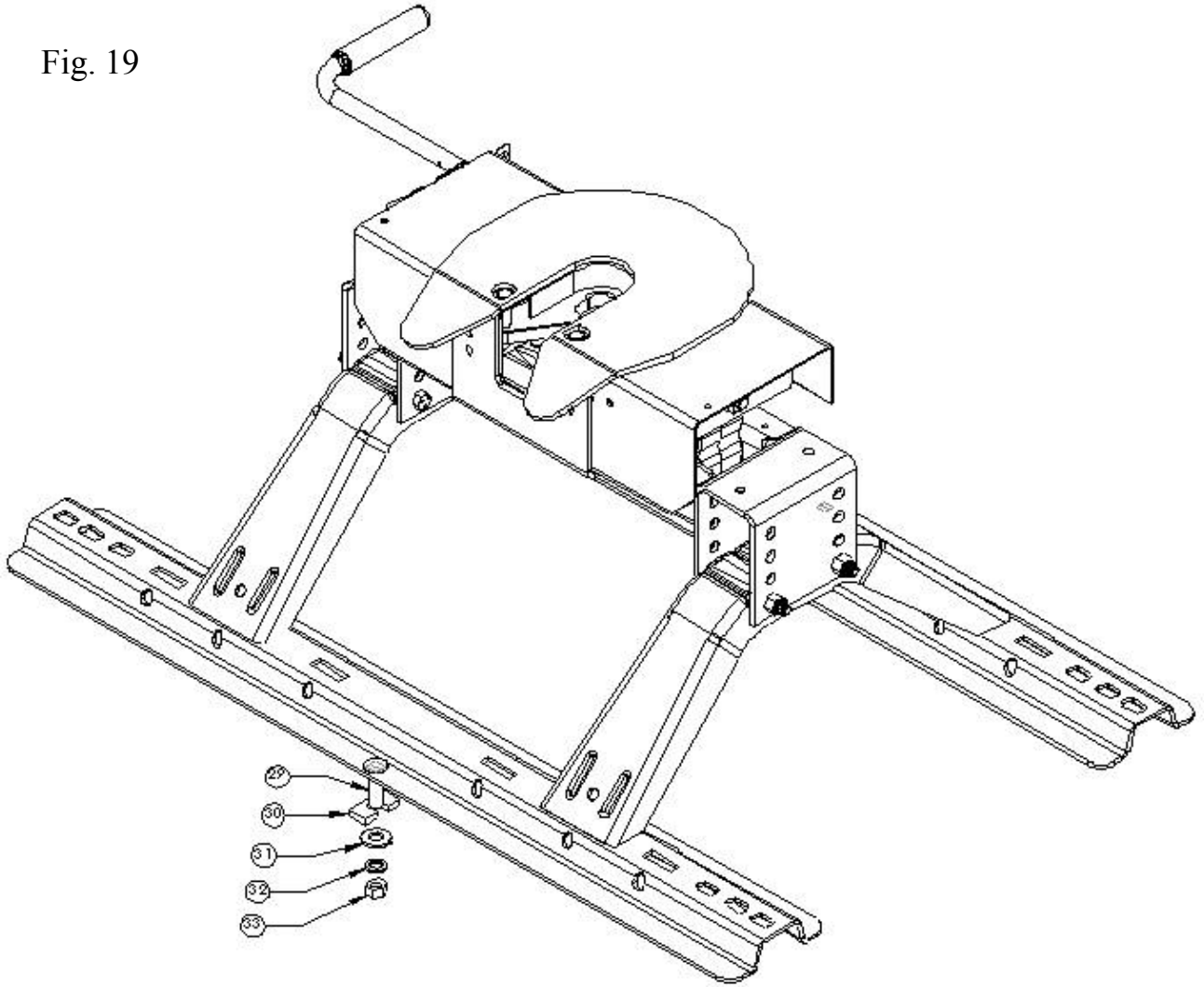
Propietario original: \_\_\_\_\_

Instalador original: \_\_\_\_\_

1. **GARANTÍA LIMITADA DE DIEZ AÑOS (Garantía).** Cequent Performance Products, Inc. ("Nosotros" o "Nuestro") garantiza al comprador minorista original únicamente ("usted") que el producto estará libre de defectos materiales y de mano de obra, con la excepción del uso y desgaste habitual, siempre y cuando la instalación y el uso del producto esté de acuerdo con las instrucciones del producto. No existen otras garantías, expresas o implícitas, incluida la garantía de comerciabilidad o idoneidad para un propósito en particular. Esta garantía no es transferible.
2. **Limitaciones de la garantía.** Esta garantía limitada no cubre lo siguiente: (a) desgaste normal y habitual; (b) daño por abuso, negligencia, mal uso, o como resultado de cualquier accidente o de cualquier otra manera; (c) daño por aplicación o instalación incorrectas o sobrecarga; (d) mantenimiento y reparación incorrectos; y (e) alteración del producto de cualquier manera por alguien que no seamos nosotros, con la única excepción de alteraciones realizadas de acuerdo con las instrucciones del producto y de una manera profesional.
3. **Obligaciones del comprador.** Para hacer una reclamación de garantía, contáctenos en nuestra dirección principal en 47912 Halyard Dr. Suite 100, Plymouth, MI 48170, 1-888-521-0510, identifique el producto por número de modelo y siga las instrucciones que se le darán para la reclamación. Cualquier producto devuelto que se reemplace o se reembolse se convierte en propiedad nuestra. Usted será responsable por los costos de envío del producto. Conserve el recibo de compra para verificar la fecha de compra y que usted es el comprador original. Nos debe entregar el producto y el recibo de compra para procesar su reclamo de garantía.
4. **Límites de compensación.** La sustitución del producto es su único recurso bajo esta garantía. No seremos responsables por el servicio o cargos de mano de obra en los que se incurra al quitar o reemplazar un producto o cualquier daño de cualquier tipo.
5. **Riesgo Asumido.** Usted reconoce y acepta que cualquier uso del producto para cualquier propósito diferente al uso(s) especificado(s) en las instrucciones del producto es a su propio riesgo.
6. **Ley gobernante.** Esta garantía le otorga derechos legales. Usted también podría tener otros derechos que varían de estado a estado. Esta garantía está regida por las leyes del estado de Michigan, sin importar las normas relativas a conflictos de Las cortes estatales ubicadas en el condado de Oakland, Michigan tendrán la jurisdicción exclusiva para cualquier disputa que surja con respecto a esta garantía.

Cequent Performance Products, Inc.  
47912 Halyard Dr. Suite 100  
Plymouth, MI 48170

Fig. 19

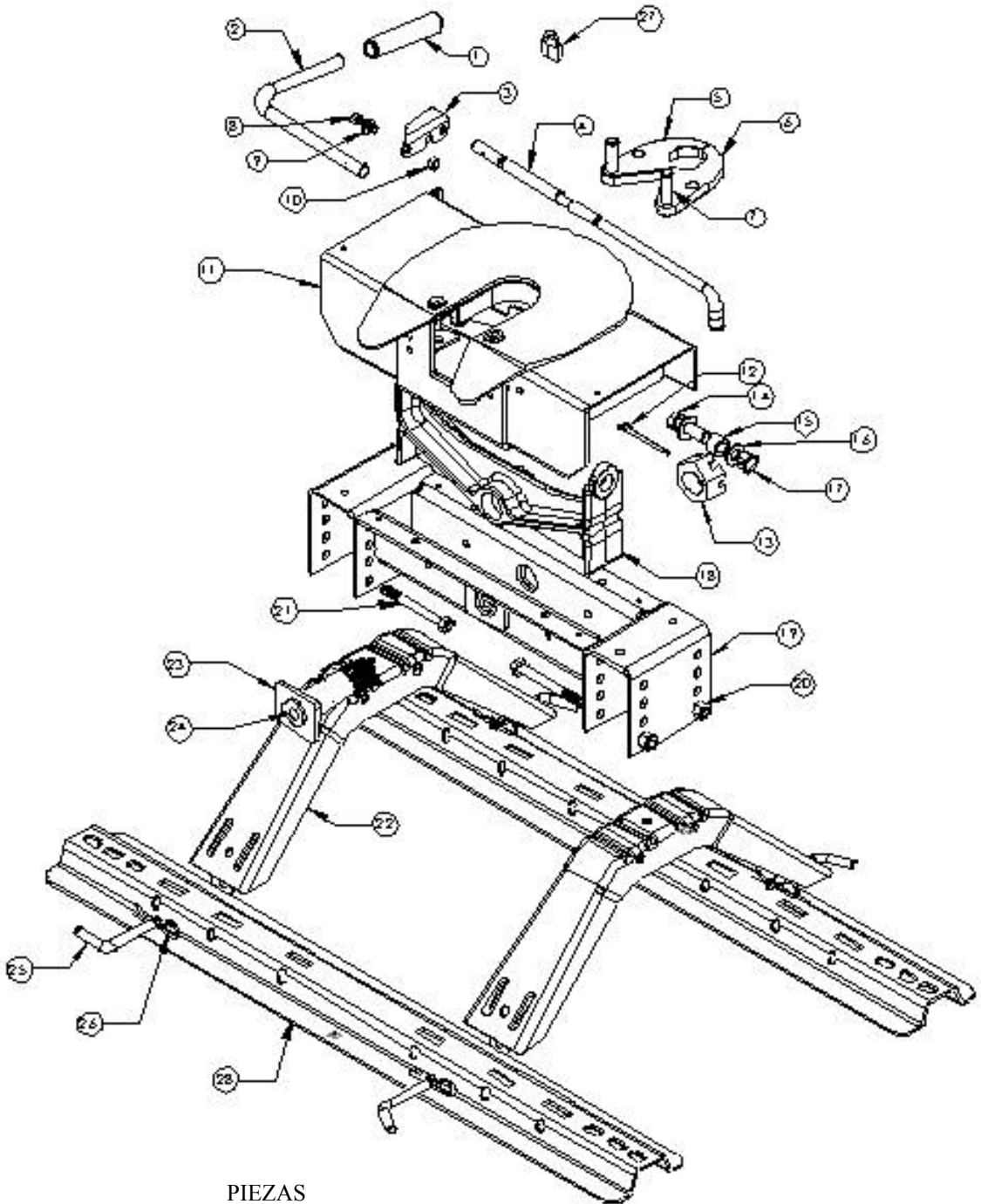


### INSTRUCCIONES ADICIONALES DE INSTALACIÓN:

1. Coloque los largueros base según las instrucciones de instalación. Intente mantenerlos lo más cercano al travesaño debajo de la plataforma como sea posible.
2. ANTES DE PERFORAR CUALQUIER ORIFICIO, REVISE EL DESPEJE ALREDEDOR DEL TANQUE DE GAS.
3. Usando el orificio central en el larguero base como guía, perforo un orificio  $\frac{1}{2}$ " a través de la plataforma del camión.
4. Inserte un perno de carruaje  $\frac{1}{2}$ " (29) dentro del orificio. Instale una arandela dentada  $\frac{1}{2}$ " (31), arandela de bloqueo  $\frac{1}{2}$ " (32) y tuerca  $\frac{1}{2}$ " (33).
5. Inserte un espaciador (30) entre la plataforma del camión y el larguero base. Entrará en el corrugado de la plataforma.
6. Repita para el otro larguero base.
7. Apriete las tuercas  $\frac{1}{2}$ " a 75 pies/lbs.



**Fig. 20**



**PIEZAS**

1. AGARRE DE MANIJA	(1)	14. PERNO 5/8-11x2	(2)	27. CANDADO	(1)
2. MANIJA DE TUBO	(1)	15. COJINETE	(2)	28. LARGUEROS	
3. PASADOR	(1)	16. ARANDELA PLANA 5/8"	(4)	BASE (SE VENDE	
4. MANIJA ACTUADORA	(1)	17. TUERCA BLOQUEO 5/8-11	(2)	POR SEPARADO)	
5. MORDAZA IZQUIERDA	(1)	18. VIGA GIRATORIA	(1)		
6. MORDAZA DERECHA	(1)	19. SOPORTE DE CABEZA	(1)		
7. PASADOR GIRATORIO	(2)	20. TUERCA BLOQUEO 1/2-13	(4)		
8. PERNO 3/8-16x1-1/4"	(1)	21. PERNO 1/2-13x4-1/2"	(4)		
9. ARANDELA PLANA 3/8"	(3)	22. PATAS (POR SEPARADO)	(2)		
10. TUERCA BLOQUEO 3/8-16	(1)	23. PASADOR GIRATORIO	(1)		
11. ENSAMBLE DE CABEZA	(1)	24. GRASA ZERK	(1)		
12. PASADOR DE BISAGRA	(1)	25. PASADOR DE HALAR	(4)		
13. TUERCA 1-1/2-12		26. GANCHO DE RESORTE	(4)		