

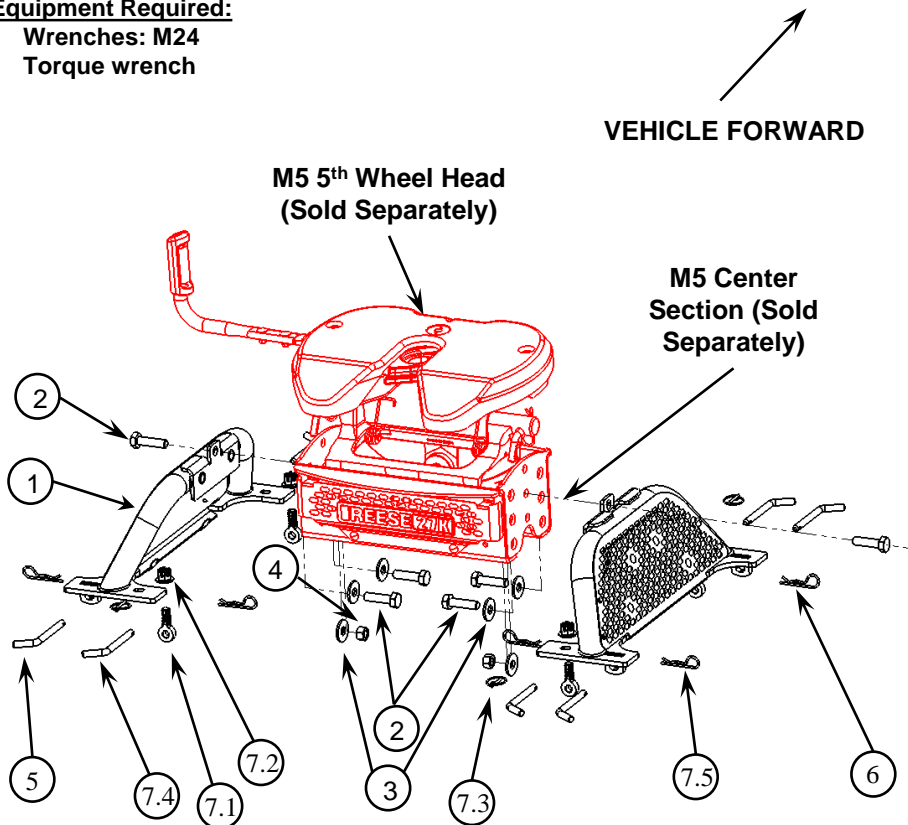
WARNING: FAILURE TO FOLLOW INSTALLATION AND HITCH-UP INSTRUCTIONS MAY CAUSE PROPERTY LOSS, SERIOUS INJURY, OR DEATH!

CAUTION: Under no circumstances do we recommend exceeding the towing vehicle manufacturers recommended vehicle towing capacity, Or the lowest rated component of your system.

READ ALL INSTRUCTIONS BEFORE STARTING THE INSTALLATION OR USE

Equipment Required:

Wrenches: M24
Torque wrench



#	Description	QTY
1	M5 ISR Leg (30926)	2
2	Bolt-M16 x 2 x 40mm CL10.9	4
3	Washer – 5/8” Conical	4
4	M16 x 2 Nur CL10.9	2
5	½” Pin	4
6	Spring Clip	4
7	Anti-Rattle Kit	1
7.1	Rod End	4
7.2	Castle Nut	4
7.3	Lynch Pin	4
7.4	½” Pin	4
7.5	Spring Clip	4

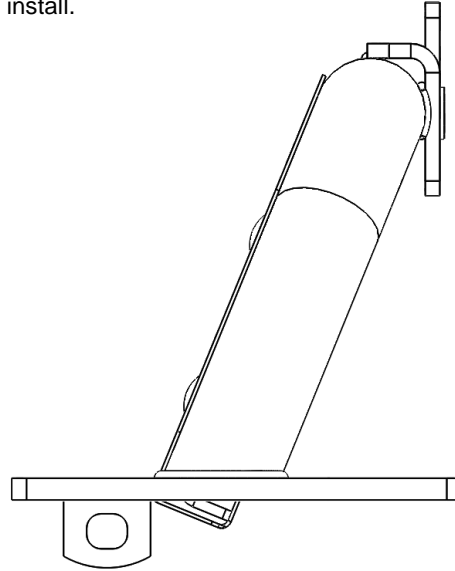
FIG. 1

Table of Contents

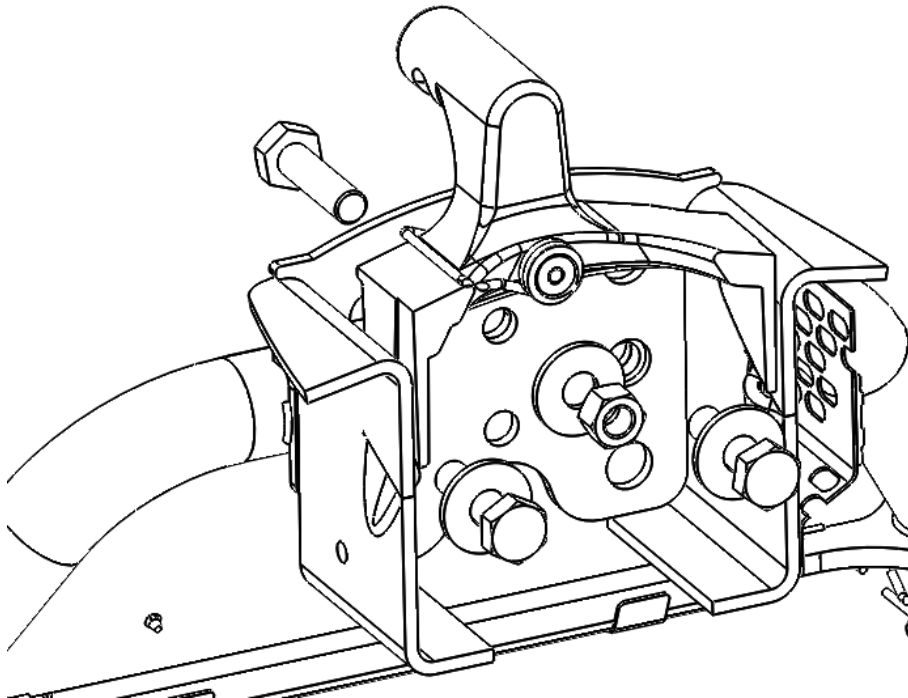
1. Installation -----	p 1	3. Maintenance -----	p 6
2. Assembly and Installation -----	p 2 - 4	4. Warranty -----	p 7

ASSEMBLY AND INSTALLATION

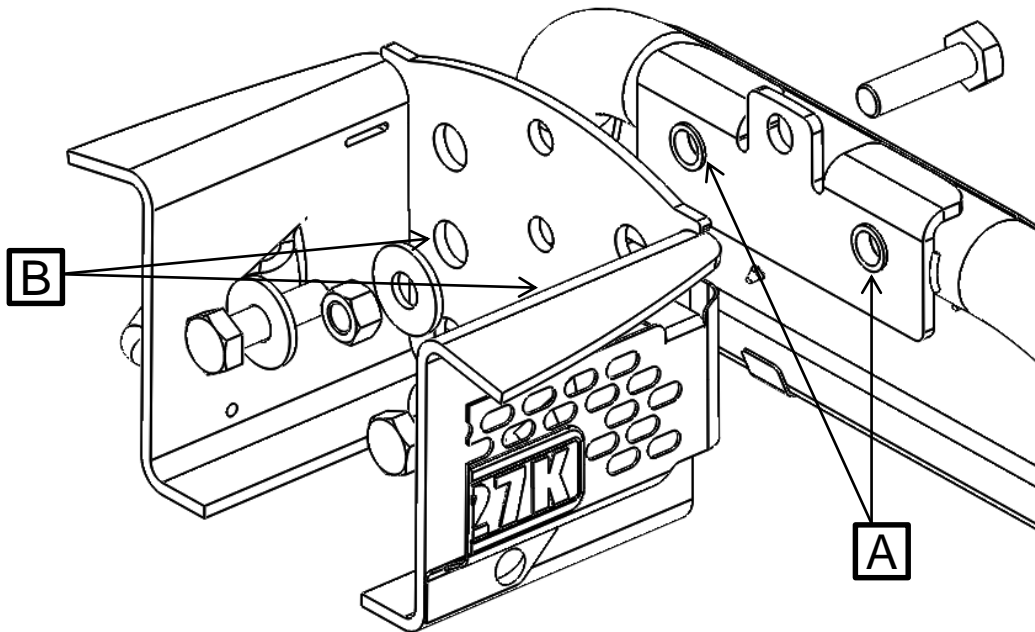
1. The M5 ISR Leg comes ready to install.



2. Determine which center section mounting holes to use to ensure a minimum of 6" clearance between the truck bed rail and the bottom of the trailer. (For more detail, please refer to the **GUIDELINES FOR MATCHING HITCH, TRUCK, AND TRAILER** section located in the head and center section instruction sheet.) Legs should be attached at same height on both sides of unit. This unit has 4" of vertical adjustment.
3. Using (4) of the M16x2x40 mm Hex Head Bolts with (4) 5/8" Conical Washers, attach the legs to the center section structure, threading the bolts from the inside of the center section into the threaded portion of the legs. Place the remaining (2) M16x2x40 mm Hex Head Bolts in the center hole location on both legs using (2) of the 5/8" conical washers and the (2) M16x2 Nuts. Finger tighten bolts initially until final adjustments are made.



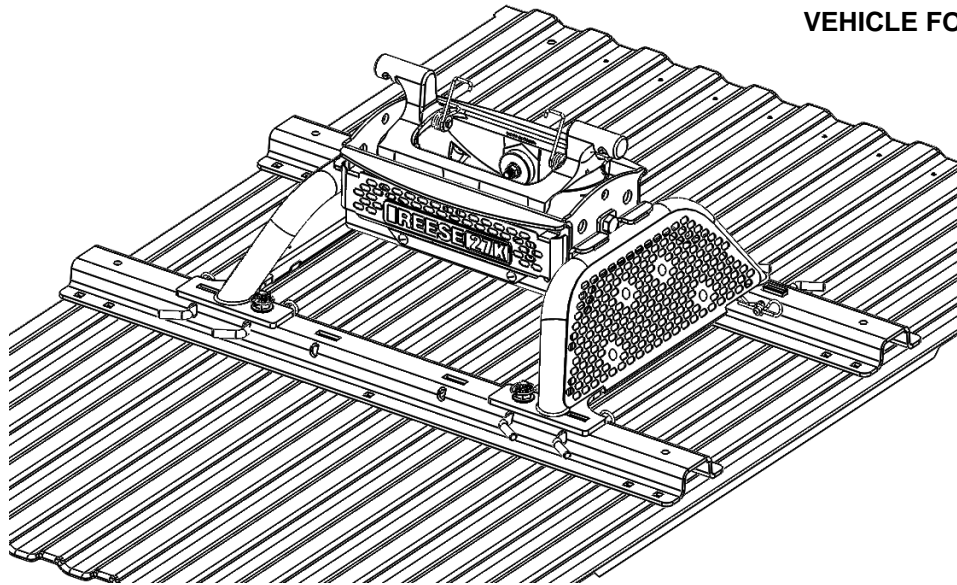
4. **NOTE:** During assembly of M5 ISR Leg to Center Section, make sure that the collars on the leg (**A**) are completely seated in the corresponding holes in the center section (**B**).



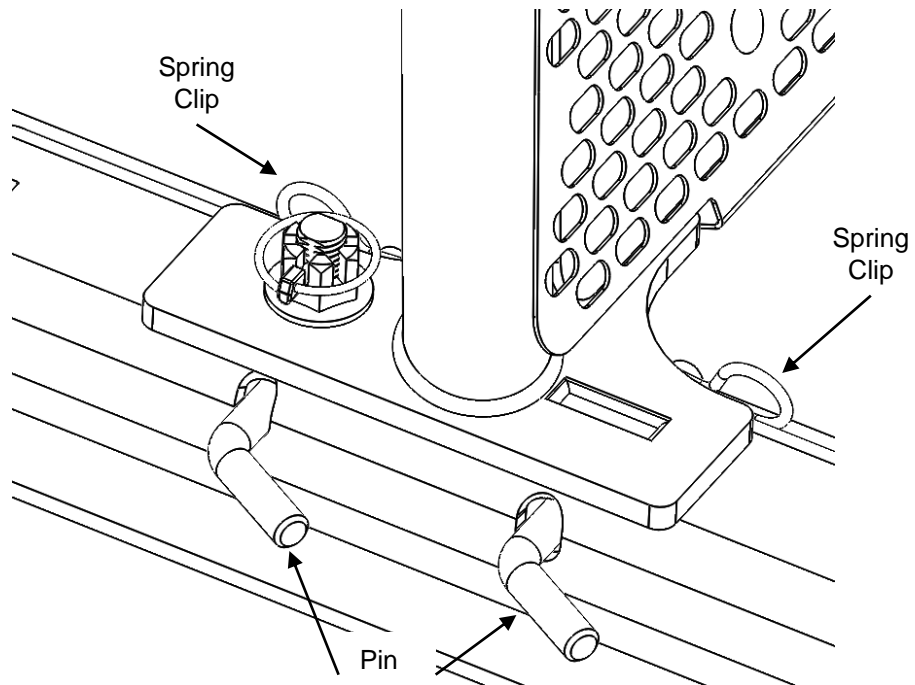


Reference Anti-Rattle Instructions before moving forward.

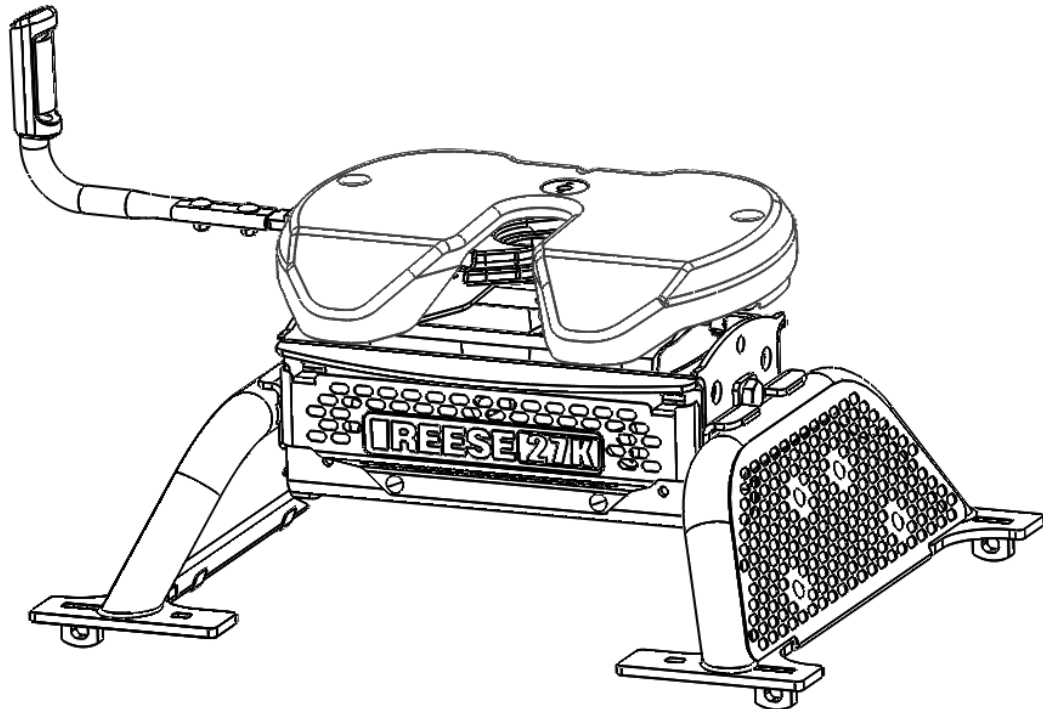
- 5.
6. Place the unit into the existing **Required 30153** above bed rails. Orientated as shown below.



7. Once unit has been placed in the rails, Follow the anti-rattle instructions (found on the anti-rattle pack list) and be sure to use the solid mounted pin as shown below. Do not tighten until after step 8.



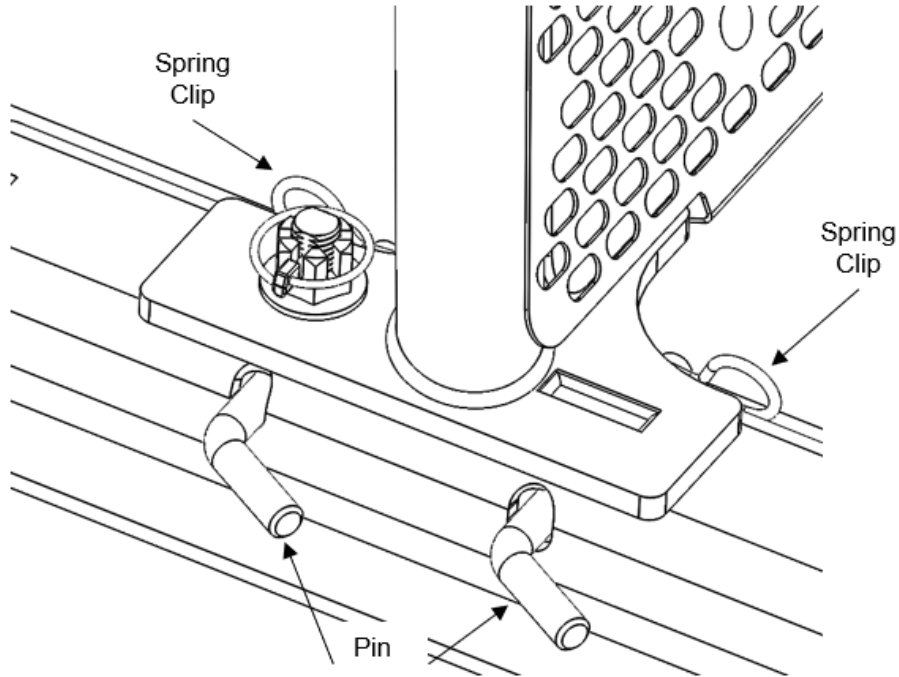
8. With ISR Legs Pinned and securely held in above bed rails, tighten each M16 hex-head bolt to 220 ft-lb of torque.
9. To achieve the 27K rating the Anti-Rattle components included with the leg kit must be used at all times. You **MUST** verify that other components of your towing system do not reduce the overall tow rating of this hitch.
10. Verify that hitch is tight to the truck by lifting each side of the hitch.
11. Assemble head to center section per instructions included with M5 Center Section and Head.



MAINTENANCE

In order to maintain performance over the life of the product:

1. Before any trip, verify that the pins and spring clips are undamaged and secure.
2. Every 1,000 miles, check the M16 hex bolts that connect center section to legs to insure that they are still torqued to 220 ft-lb of torque.
3. For general maintenance of the entire 5th wheel hitch assembly, please refer to the M5 head and center section instruction sheet.



LIMITED LIFETIME WARRANTY

Horizon Global Corporation. ("We" or "Us") warrants to the original consumer purchaser only ("You") that the product will be free from material defects in both material and workmanship, ordinary wear and tear expected; provided that installation and use of the product is in accordance with product instructions. There are no other warranties, express or implied, including the warranty of merchantability or fitness for a particular purpose. This warranty is not transferable.

This warranty does not cover: (a) normal wear and tear; (b) damage through abuse, neglect, misuse, or as a result of any accident or in any other manner; (c) damage from misapplication, overloading, or improper installation; (d) improper maintenance and repair; and (e) product alteration in any manner by anyone other than Us, with the sole exception of alterations made pursuant to product instructions and in a workmanlike manner.

To make a Warranty claim, contact Us, at our principal address of 47912 Halyard Dr. Suite 100, Plymouth, MI 48170, 1-800-632-3290, identify the product by model number, and follow the claim instructions that will be provided. Any returned product that is replaced by Us becomes our property. You will be responsible for return shipping costs. Please retain your purchase receipt to verify date of purchase and that You are the original consumer purchaser. The product and the purchase receipt must be provided to Us in order to process Your Warranty claim.

Product replacement is Your sole remedy under this Warranty. We shall not be liable for service or labor charges incurred in removing or replacing a product or any incidental or consequential damages of any kind.

You acknowledge and agree that any use of the product for any purpose other than the specified use(s) stated in the product instructions is at Your own risk.

This Warranty gives you specific legal rights, and You may also have other rights which vary from state to state. This Warranty is governed by the laws of the State of Michigan, without regard to rules pertaining to conflicts of law. The state courts located in Oakland County, Michigan shall have exclusive jurisdiction for any disputes relating to this warranty.

**For the most up to date product
instructions, installation and use
information please scan the QR
code or call
1-800-632-3290**



Horizon Global
47912 Halyard Dr. Suite 100
Plymouth, MI 48170