

### REESE® CUSTOM QUICK INSTALL MOUNTING KIT

56015

### FOR 30153 REESE® RAILS ONLY

GMC/Chevy 1500 Pickup \*See website applicable years & models

**WARNING:** FAILURE TO FOLLOW INSTALLATION INSTRUCTIONS MAY CAUSE PROPERTY LOSS, SERIOUS INJURY, OR DEATH!

**CAUTION:** Under no circumstances do we recommend exceeding the towing vehicle manufacturers recommended vehicle towing capacity, or the lowest rated component of your system.

## READ ALL INSTRUCTIONS BEFORE STARTING THE INSTALLATION OR USE

### 10 BOLT INSTALLATION

**Equipment Required:**

Fastener Kit: 56015F

Wrenches: 3/4"

Drill Bits: 1/8", 9/16"

Other Tools: Center Punch, Measuring Tape  
Torque Wrench, 3/4" Crows Foot

←  
VEHICLE FORWARD

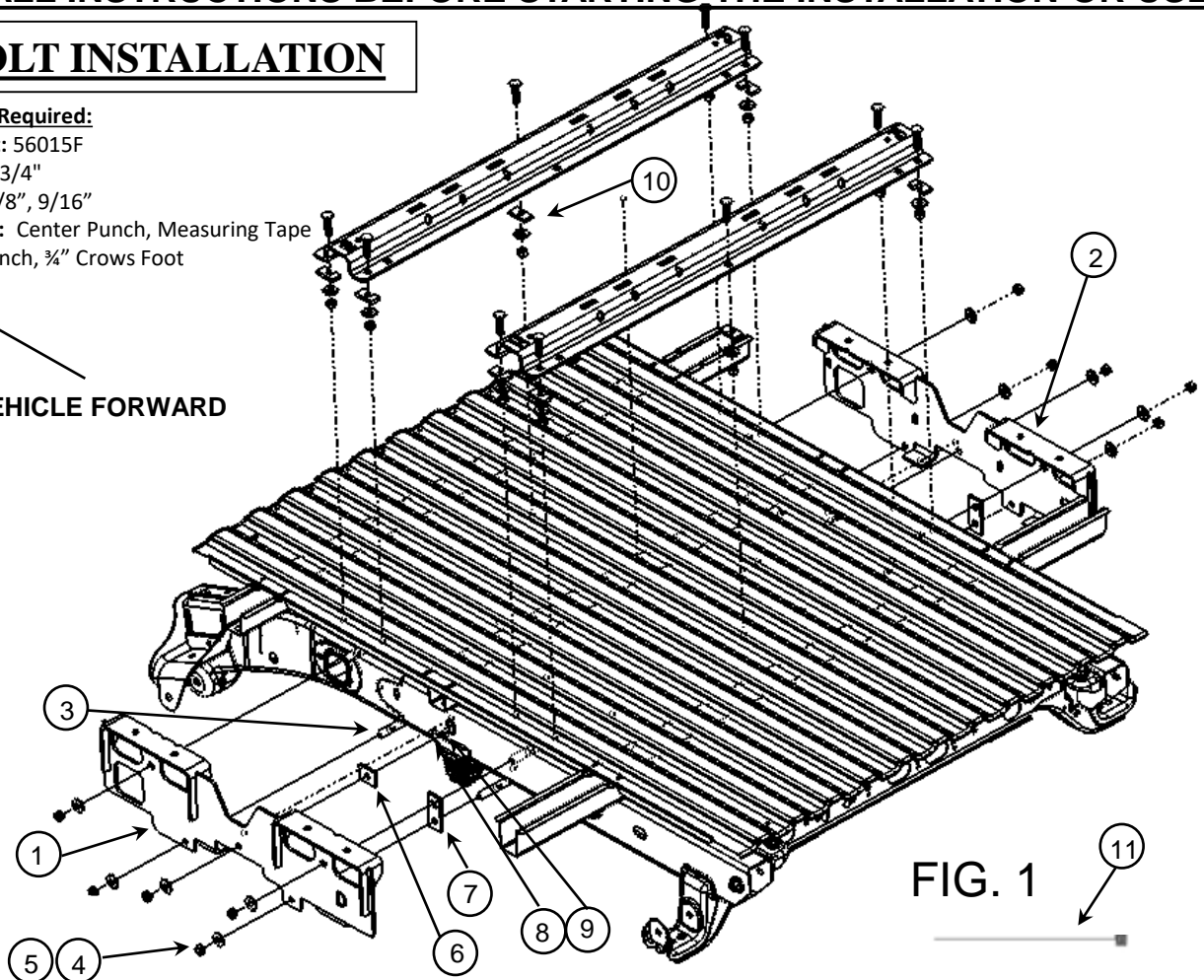


FIG. 1

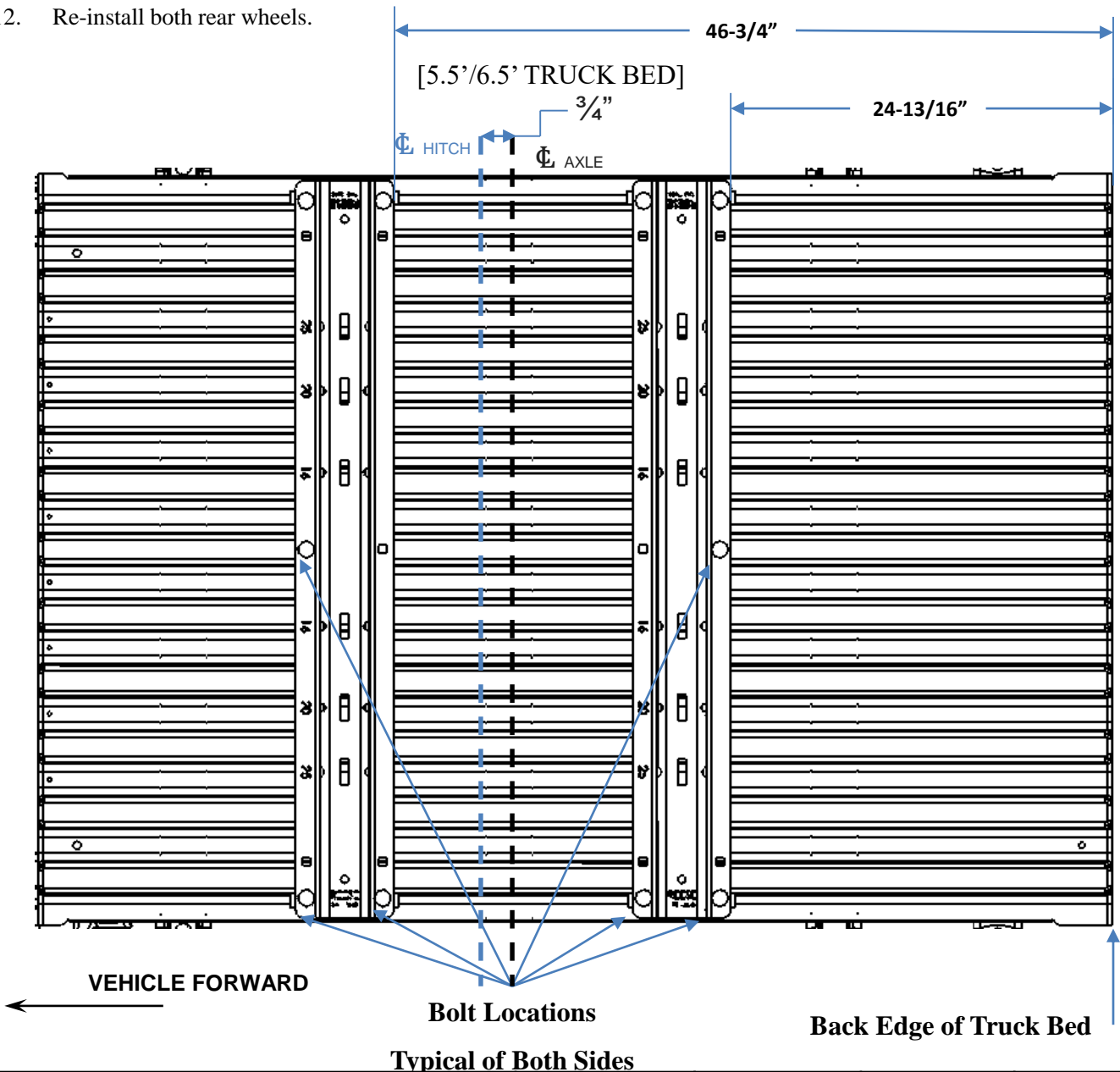
#	Description	QTY	#	Description	QTY
1	Driver Side Frame Bracket	1	8	1/2"-13x1.75" Carriage Bolt GR8	2
2	Passenger Side Frame Bracket	1	9	1"x3" Block	2
3	1/2-13 U-Bolt GR5	4	10	1"x2" Block	2
4	1/2-13 Nut GR8	10	11	1/2" Pull Wire	1
5	1/2" Conical Washer	10	Any hardware shown in Figure 1, but not described in table below were supplied with 30153 kit.		
6	1.5"x2" Block	2			
7	3.5"x1.5" Block	2			

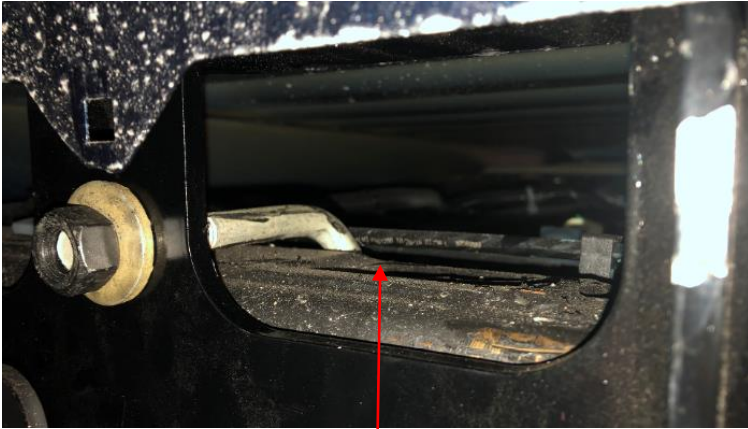
**REESE® CUSTOM QUICK INSTALL MOUNTING KIT****56015****FOR 30153 REESE® RAILS ONLY****GMC/Chevy 1500 Pickup \*See website applicable years & models**

- **Do not install mounting rails over plastic bed liners. Plastic bed liners must be cut out of the way to provide metal to metal contact. Mounting rails may be installed on spray in liners.**
- **Use only bolts, nuts, and washers supplied to install this kit. All bolts and nuts are Grade 8 unless otherwise specified.**
- **These instructions are guidelines only, actual installation is the responsibility of the installer and the owner. Always measure truck and trailer before installing hitch to be sure that there is clearance at the cab and at the bumper to allow for turns.**
- **Do not install this product on or attempt to tow with a truck with a 5-1/2' bed unless a sidewinder pinbox coupler has been installed on the trailer.**

1. Place the front mounting rail in the bed of the vehicle. Center the rail on the floor of the truck bed and use your tape measure to locate the proper distance from the rear of the rail to the rear edge of the truck box as illustrated on page 3.
2. Use a center punch to mark the holes in the bed per the illustration. Move the rail out of the way and drill each position with a 1/8" drill bit. **Note: When drilling holes through the bed be sure what is below the truck bed in those locations.**
3. With holes drilled, Raise the rear of the vehicle and remove both rear tires.
4. Temporarily position the frame brackets on the sides of the frame, Aligning the center hole in the bracket with the existing slot in the truck frame, and check that the 1/8" drilled holes align with the slots in the frame brackets. **NOTE:** To install the brackets they need to be tilted in at a 45° to clear the leading edge of the bed hem seam, then laid flat against the frame rail. Remove the frame brackets from the vehicle after verifying fitment.
5. If all holes align properly enlarge the 1/8" drilled holes to 9/16". Paint all bare metal. If hole do not align, restart the installation at step 1 by adjusting 1/8" holes on truck bed. When holes align be sure to remove brackets before enlarging to 9/16".
6. Fasten the frame brackets to the frame using the supplied U-bolts (Item3) and conical washer (Item5) with nut (Item 4) be sure to place the correct 1/4"x 3.5"x1.5" block (Item 7) behind the bracket as a spacer with the U-Bolt passing through the bottom hole as shown in figure 1. Tighten snug to keep the bracket from moving.
7. Place the unassembled 5th wheel support arches/slider/goose into the already installed mounting rail. Position the rearward mounting rail with the support arches/slider/goose by inserting the tabs into the mounting rail and pushing the mounting rail tight towards the other mounting rail. Ensure that the mounting rail is centered on the bed of the vehicle. This will position the rail in the correct location and ensure that the 5th wheel will have a snug fit to the truck. Note: If more than one hitch product will be used with the mounting rails both types should be used at the same time to align the mounting rails. This will ensure that one product does not compromise the fit of the other.
8. Repeat steps 2-6 for rear rail.
9. To install the center bolt use the supplied pull wire **NOTICE! THE SUPPLIED PULL WIRE WILL NEED TO BE USED ON BOTH SIDES!** Thread the pull wire onto the supplied carriage bolt (Item 8) followed by the 1"x3" block (Item 9). Pull both components through the center slot on the frame. While doing this be sure to include the 1.5"x2" block between the frame and the frame bracket. Place the conical washer (Item 5) on the bolt and secure with nut (Item 4).

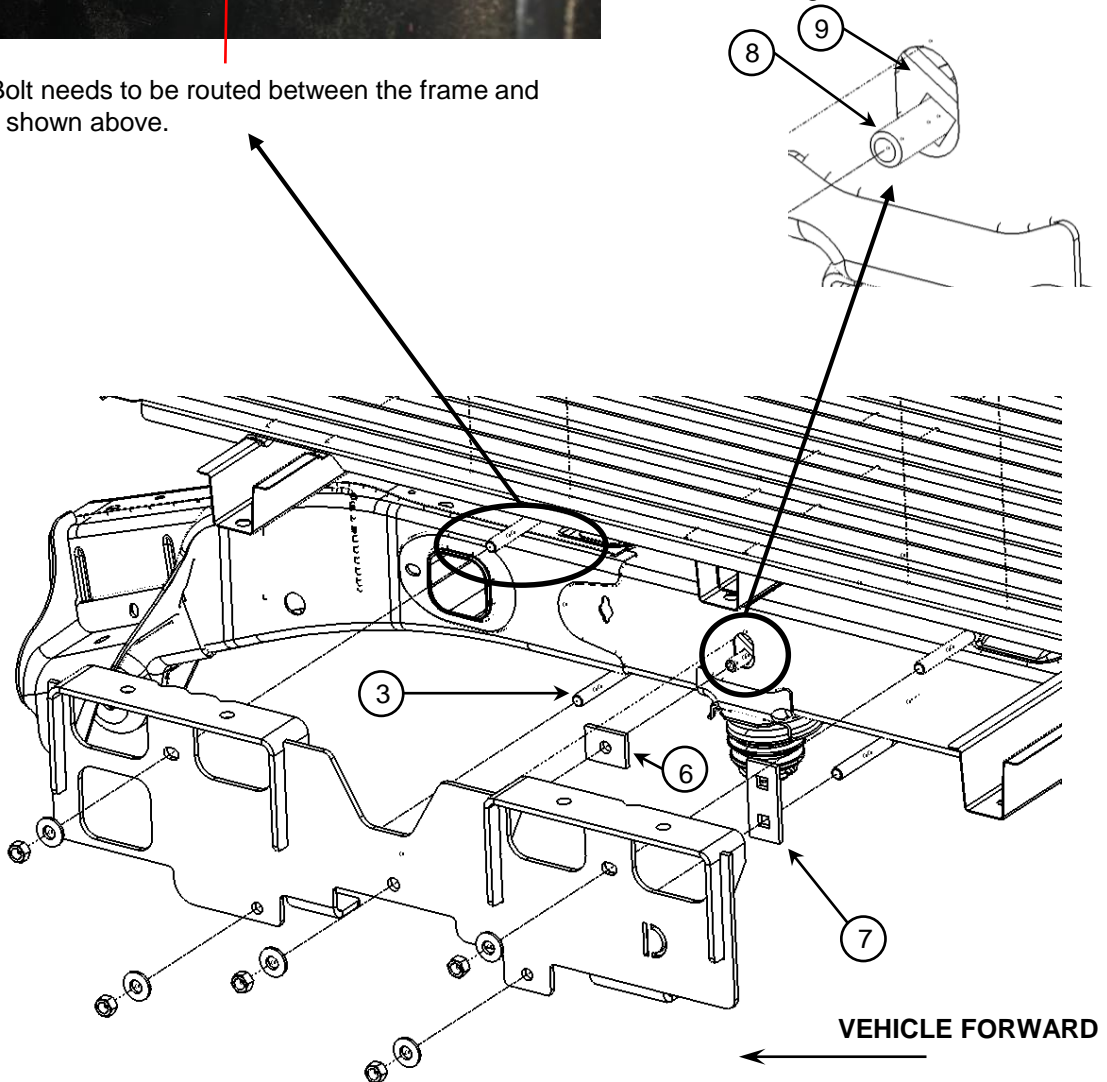
10. Reposition the mounting rails over the holes in the bed and fasten the mounting rail to the frame brackets using the hardware supplied with the rail kit. Use the U-shaped blocks between the frame bracket or mounting rails and the truck bed to ensure metal to metal contact. Install center bolt using the supplied 1"x2" block (Item 10) on the bottom side of the bed floor and hand tighten.
11. Starting with the hardware that fastens the mounting brackets to the bed rails and torque all the nuts. Torque the 1/2" GR8 bolts to 110ft-lbs (149N\*M), and the 1/2" U-bolts to 75 ft-lbs (101N\*M).
12. Re-install both rear wheels.





**NOTE:** U-Bolt needs to be routed between the frame and harness as shown above.

**NOTE:** Fastener to be fished through frame rail as shown.



### REESE® CUSTOM QUICK INSTALL MOUNTING KIT

56015

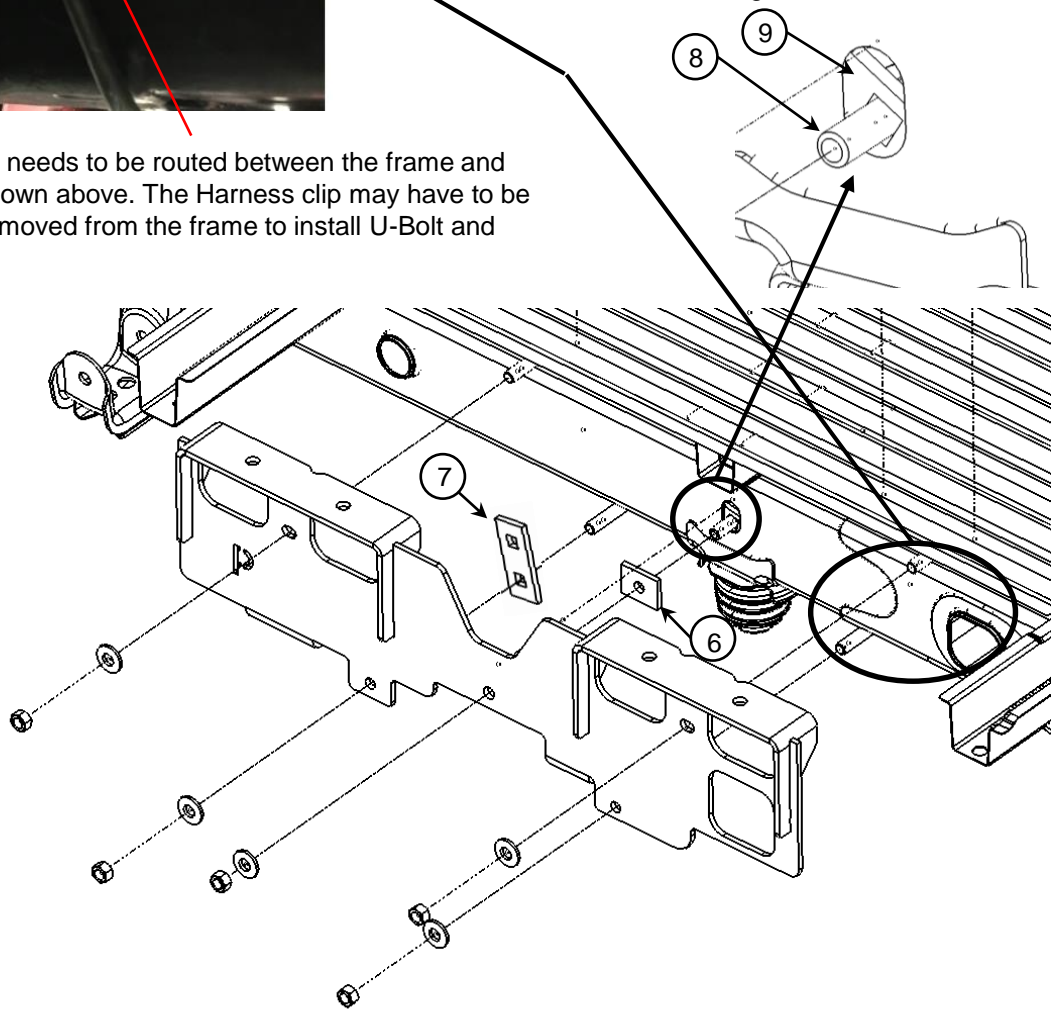
### FOR 30153 REESE® RAILS ONLY

GMC/Chevy 1500 Pickup \*See website applicable years & models



**NOTE:** U-Bolt needs to be routed between the frame and harness as shown above. The Harness clip may have to be temporarily removed from the frame to install U-Bolt and Bracket.

**NOTE:** Fastener to be fished through frame rail as shown.



VEHICLE FORWARD →



**NOTE:** Be sure to tighten U-Bolts evenly! Deflection in the bracket below the vehicle frame (shown above) is expected and is acceptable.





# Installation Instructions

**Part Number:**

## REESE® CUSTOM QUICK INSTALL MOUNTING KIT

**56015**

### FOR 30153 REESE® RAILS ONLY

**GMC/Chevy 1500 Pickup \*See website applicable years & models**

#### LIMITED LIFETIME WARRANTY

Horizon Global Corporation. ("We" or "Us") warrants to the original consumer purchaser only ("You") that the product will be free from material defects in both material and workmanship, ordinary wear and tear expected; provided that installation and use of the product is in accordance with product instructions. There are no other warranties, express or implied, including the warranty of merchantability or fitness for a particular purpose. This warranty is not transferable.

This warranty does not cover: (a) normal wear and tear; (b) damage through abuse, neglect, misuse, or as a result of any accident or in any other manner; (c) damage from misapplication, overloading, or improper installation; (d) improper maintenance and repair; and (e) product alteration in any manner by anyone other than Us, with the sole exception of alterations made pursuant to product instructions and in a workmanlike manner.

To make a Warranty claim, contact Us, at our principal address of 47912 Halyard Dr. Suite 100, Plymouth, MI 48170, 1-800-632-3290, identify the product by model number, and follow the claim instructions that will be provided. Any returned product that is replaced by Us becomes our property. You will be responsible for return shipping costs. Please retain your purchase receipt to verify date of purchase and that You are the original consumer purchaser. The product and the purchase receipt must be provided to Us in order to process Your Warranty claim.

Product replacement is Your sole remedy under this Warranty. We shall not be liable for service or labor charges incurred in removing or replacing a product or any incidental or consequential damages of any kind.

You acknowledge and agree that any use of the product for any purpose other than the specified use(s) stated in the product instructions is at Your own risk.

This Warranty gives you specific legal rights, and You may also have other rights which vary from state to state. This Warranty is governed by the laws of the State of Michigan, without regard to rules pertaining to conflicts of law. The state courts located in Oakland County, Michigan shall have exclusive jurisdiction for any disputes relating to this warranty.

**For the most up to date product  
instructions, installation and use  
information please scan the QR  
code or call  
1-800-632-3290**



Horizon Global  
47912 Halyard Dr. Suite 100  
Plymouth, MI 48170