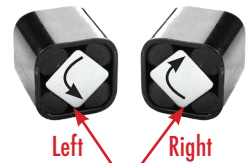
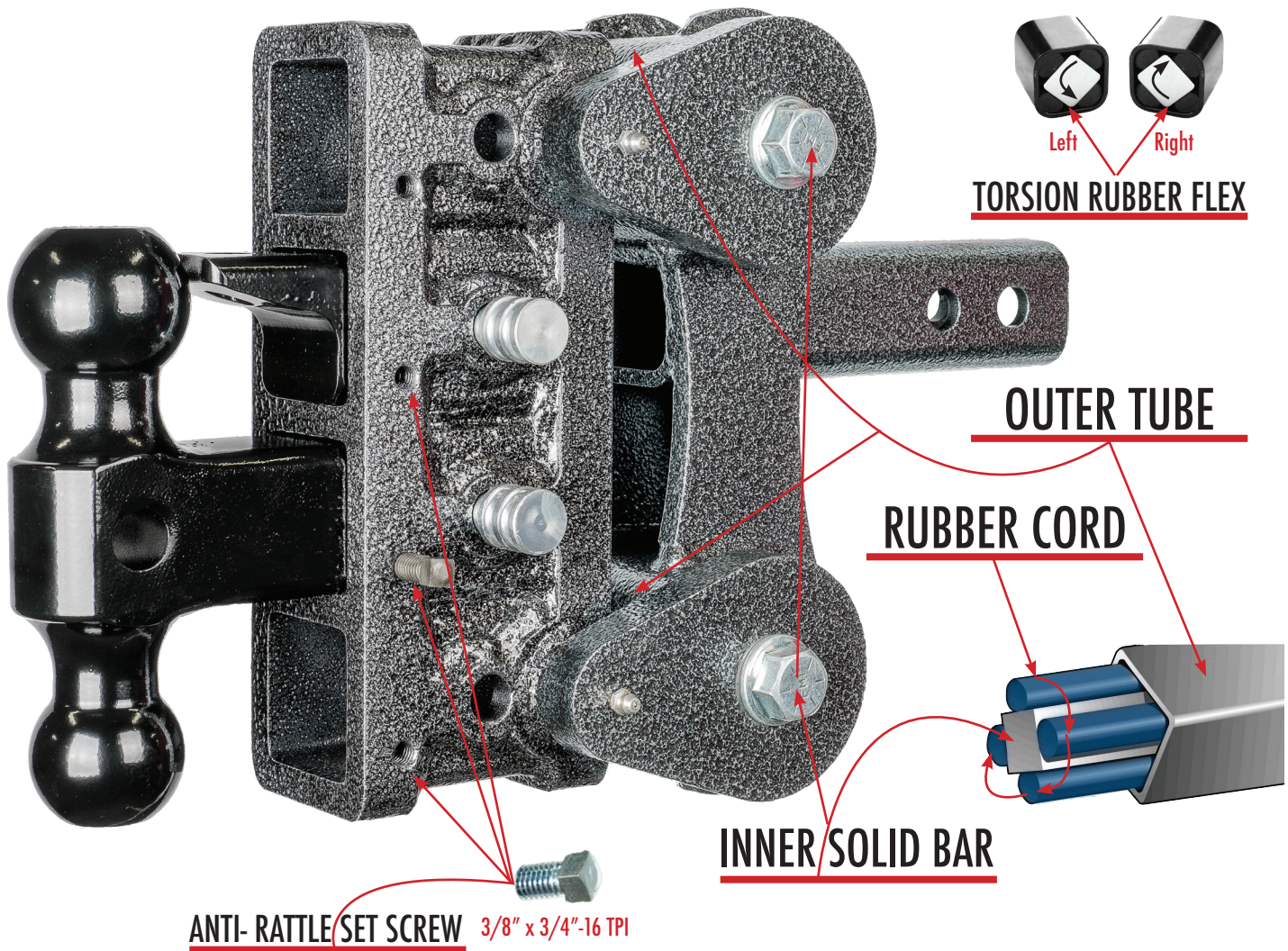




User Guide

Towing Made Easy

Torsion Suspension Technology
HOW IT WORKS



TORSION RUBBER FLEX

OUTER TUBE

RUBBER CORD

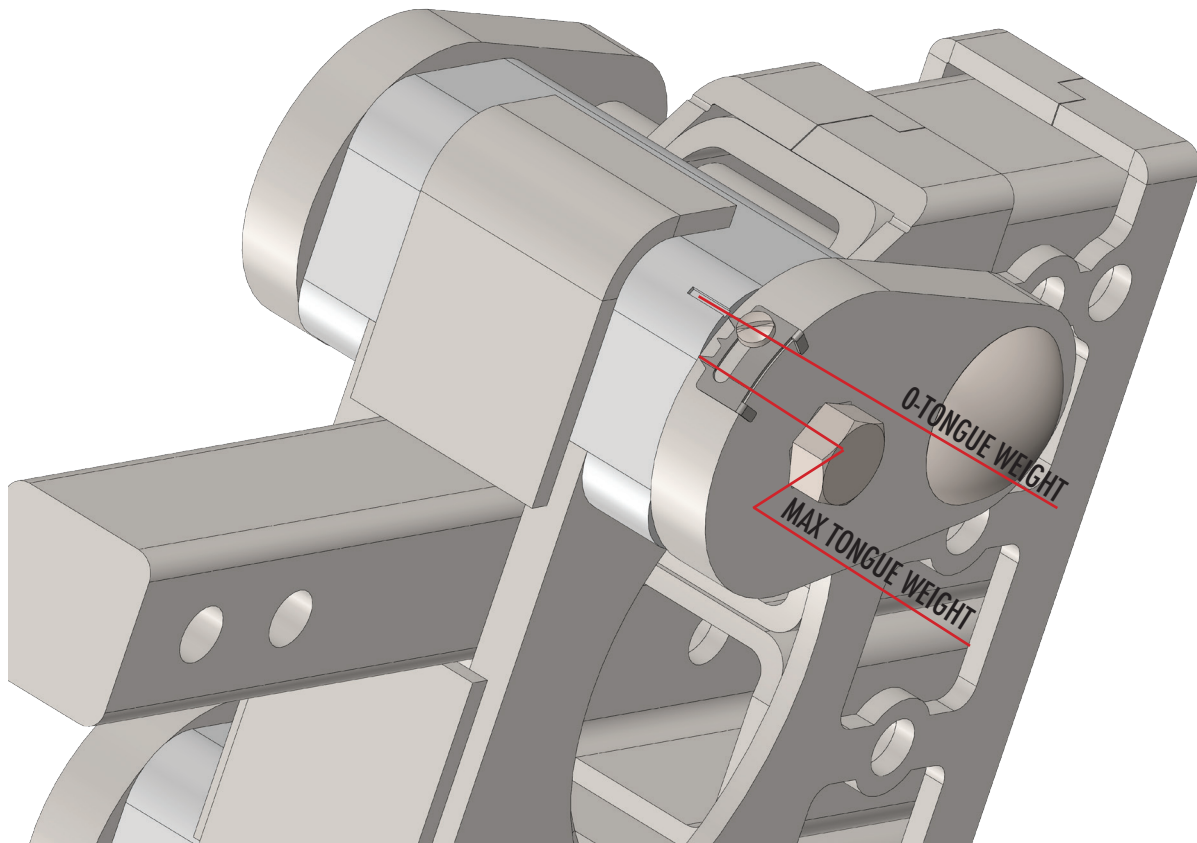
INNER SOLID BAR

ANTI-RATTLE SET SCREW 3/8" x 3/4"-16 TPI

Torsion Hitch USERS MANUAL

This product is protected by Patent # US9505281B1, USD773345S1, USD9868327B1

Mechanical Tongue Weight Scale



After Being Used Multiple Times, Zero Point May Have to be Relocated Without Any Weight on Hitch
(Simply unscrew set screw & relocate to zero point & retighten).

Scale is Not 100% Accurate, Can Be Plus or Minus as Much as 200 LBS.

MAX TONGUE WEIGHT ON 10K MODELS 1,100 LBS
(Ideal working tongue weight 400 to 1,100 lbs)

MAX TONGUE WEIGHT ON 16K MODELS 1,700 LBS
(Ideal working tongue weight 1,000 to 1,700 lbs)

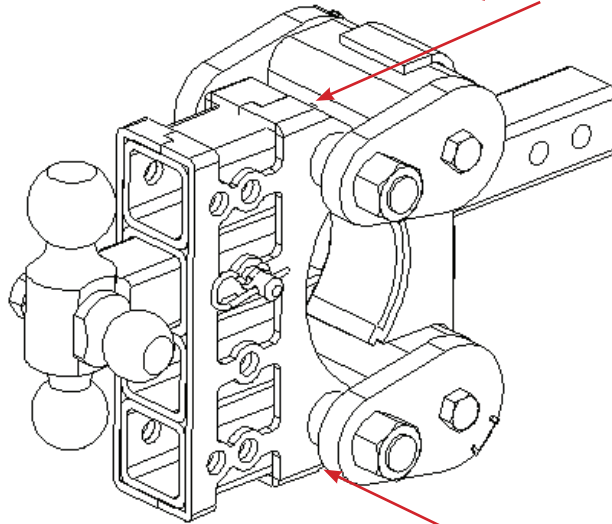
MAX TONGUE WEIGHT ON 21K MODELS 2,400 LBS.
(Ideal working tongue weight 1,500 to 2,400 lbs)

Torsion Hitch USERS MANUAL

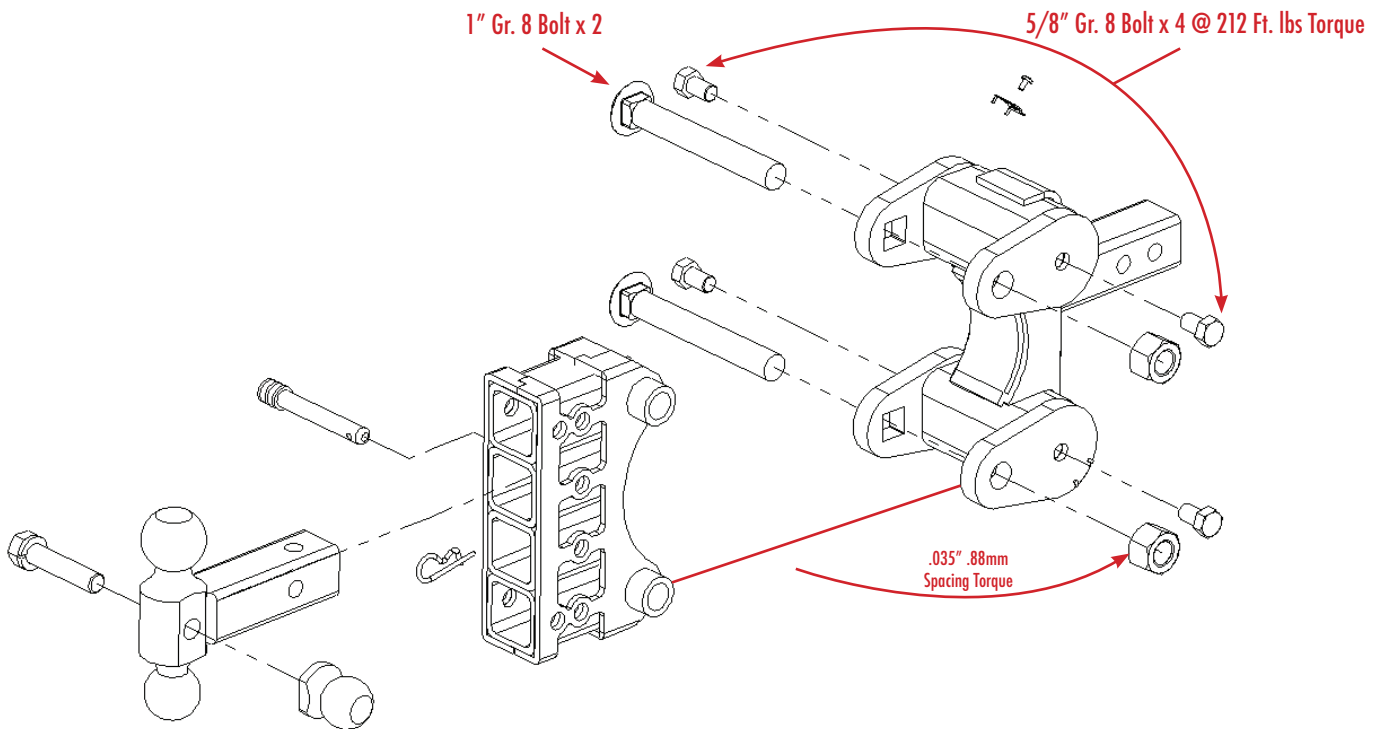
This product is protected by Patent # US9505281B1, USD773345S1, USD9868327B1

Recommend grease every 2-months, Marine grease

Zerk, Grease Regularly



Zerk, Grease Regularly



RUBBER TORSION SUSPENSION, LIMITED 5 YEAR WARRANTY

Terms you need to know to understand this warranty:

"GENY Hitch" means GENY INDUSTRIES LLC, the manufacturer of GEN-Y HITCH brand hitches

"Hitch" means the GEN-Y HITCH brand hitch manufactured by GENY INDUSTRIES

"You" means the original consumer purchaser of the Hitch.

"Lifetime Warranty" means this Limited 5 Year Warranty as contained in this document.

What is covered by this Limited 5 Year Warranty?

This Lifetime Warranty covers defects in the material (Rubber) or workmanship of your Torsion Hitch. All obligations of GENY Hitch pursuant to this Limited Warranty are limited to the repair or replacement of the (Rubber Suspension) by GENY Hitch. The decision as to whether any applicable remedy shall be by replacement or by repair of the Hitch shall be at GENY Hitch's sole determination. All coverage provided by this Limited Warranty terminates in the event of your sale or transfer of the Hitch.

This Limited Warranty is expressly IN LIEU of any other express warranty and is further IN LIEU of any implied warranty, including, but not limited to, any implied WARRANTY OF MERCHANTABILITY or FITNESS FOR A PARTICULAR PURPOSE except as may otherwise be required by applicable Federal or State law at the time the Hitch was manufactured.

What is NOT covered by this Limited Warranty:

This Limited Warranty does not cover the following:

- Normal wear and tear
- The finish on the Hitch
- Replacement of the Hitch by any person or entity other than GENY Hitch
- Any consequential or incidental damages, including, but not limited to, commercial loss, loss of time, loss or damage to personal property, lodging, meals or other related travel costs, or any other incidental or consequential damages, arising out of the use of, the Hitch the inability to use the Hitch, or for any reasonable delay in performance under this Limited Warranty
- Service or labor charges for:
 - Removing the Hitch
 - Returning the Hitch to GENY Hitch, or
 - Replacing the Hitch by anyone other than GENY Hitch
- Damage caused by:
 - Abuse, neglect, misuse or by accident
 - Misapplication, overloading or improper installation
 - Improper maintenance and repair, negligence or Acts of God
 - Alteration of the Hitch in any way other than by GENY Hitch
 - Failure to utilize the Hitch in compliance with its User Manual
 - Failure of any product to which the Hitch was attached

How to Initiate a Warranty Claim

To make a claim under this Lifetime Warranty, you must contact us at our principal office at 1952 West Market ST., Nappanee IN 46550, Telephone Number: (574) 218-6363 identify the product by model number, and follow the claim instructions that will be provided. Any Hitch that is replaced by GENY Hitch becomes GENY Hitch's property. To the extent you are directed to return the Hitch to GENY Hitch, You must return the Hitch, freight prepaid to...GENY INDUSTRIES Please retain your purchase receipt to verify the date of your purchase of the Hitch and that You are the original consumer purchaser. You may be asked to provide a copy of such information to GENY Hitch in order to process your warranty claim. You agree that you will maintain all evidence of an alleged defect or damage through the ultimate resolution of any claim and make such evidence available to GENY Hitch and/or its representatives and further agree that the failure to preserve such evidence will result in the loss of the claim.

Governing Law and Jurisdiction

This Limited Warranty gives You specific legal right, and You may also have other rights which vary from state to state. The laws applicable to any litigation, dispute, mediation, arbitration or any claim whatsoever arising from the sale, purchase, or use of the Hitch shall be the laws of the State of Indiana, without regard to rules pertaining to conflicts of law. The exclusive jurisdiction for deciding any claims, demands or causes of action relating in any way, from the sale, purchase, or use of the Hitch shall be with the courts of the Circuit or Superior Courts of Elkhart County, Indiana.

Changes in the design of and/or improvements to Gen·Y Hitch products and substitution of parts or components

GENY Hitch reserves the unrestricted right at any time and from time to time to make changes in the design of and/or improvements upon its products without thereby imposing any obligation upon itself to make corresponding changes or improvements in or upon its products already manufactured. GENY Hitch further reserves the right to substitute parts or components of substantially equal quality in any warranty service required by operation of this Limited Warranty.