

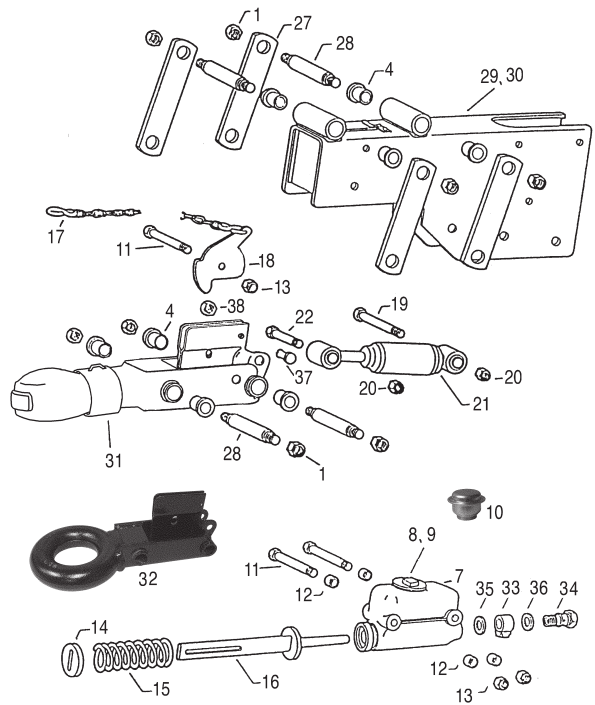
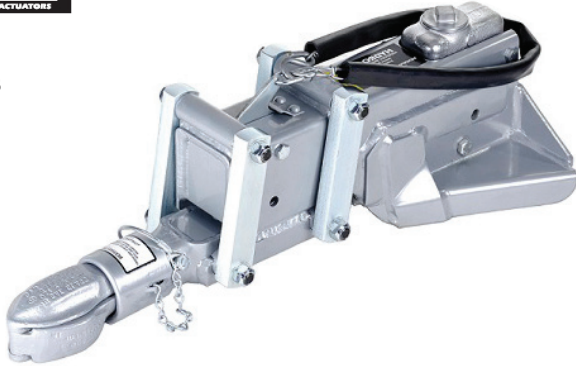
Hydro-Act Actuator

Model TA125

12,500 lb



TA125Z-4B



| Ref. No. | Part No. | Description | Qty. Req. |
|----------|------------|--|-----------|
| 1 | LN12G8ZF | 1/2" - 20 Lock nut | 8 |
| 2 | 1808-1 | Link - 5k, 6k, 7k | 4 |
| 3 | 1829 | Shaft - 5k, 6k, 7k | 4 |
| 4 | 1745 | Nylon bearing | 8 |
| 5 | 10601-1 | 50° Weld on A-frame mount-6k (not shown) | 1 |
| 5 | 10601-1M | Marine 50° weld on A-frame mount -6k (not shown) | 1 |
| 5 | 10601-2 | 50° Weld on A-frame mount-7k (not shown) | 1 |
| 5 | 10601-2M | Marine 50° weld on A-frame mount -7k (not shown) | 1 |
| 6 | 10603 | 3" Wide bolt on saddle mount - 6k | 1 |
| 6 | 10603M | Marine 3" wide bolt on saddle mount - 6k | 1 |
| 6 | 10603-1 | 3" Wide bolt on saddle mount - 7k | 1 |
| 6 | 10603-1M | Marine 3" wide bolt on saddle mount - 7k | 1 |
| 7 | 10614 | Master cylinder complete w/fittings & boot | 1 |
| 7 | 10614-M | Marine master cylinder w/fittings & boot | 1 |
| 8 | F6018 | Filler cap gasket | 1 |
| 9 | 16500 | Metal filler cap | 1 |
| 10 | 850279 | Special metal filler cap | 1 |
| 11 | B384G5ZF | 3/8"-24x4" Hex head bolt gr.5 | 3 |
| 12 | HN716G5ZF | 7/16"-20 Spacer hex nut | 4 |
| 13 | LN38G5ZF | 3/8"-24 Lock nut | 3 |
| 14 | 1840 | Push rod washer | 1 |
| 15 | 1828 | Push rod spring | 1 |
| 16 | 10607 | Push rod | 1 |
| 17 | 10511-1 | Breakaway chain with S-hooks | 1 |
| 18 | 1804 | Breakaway lever ONLY | 1 |
| 19 | B7164G5ZF | 7/16"-20x4" Hex head bolt gr.5 | 1 |
| 20 | NLN716G5ZF | 7/16"-20 Nylon lock nut | 2 |

| Ref. No. | Part No. | Description | Qty. Req. |
|----------|-----------|--|-----------|
| 21 | 1844-2 | Damper shock | 1 |
| 22 | B7162G5ZF | 7/16"-20x2" Hex head bolt gr.5 | 1 |
| 23 | 10612 | 2" Bulldog coupler housing - 5k | 1 |
| 23 | 10686M | Marine 2" Bulldog coupler housing - 5k | 1 |
| 23 | 10682-1 | 2" Bulldog coupler housing - 7k | 1 |
| 23 | 10682-1M | Marine 2" Bulldog coupler housing - 7k | 1 |
| 24 | 10638 | 2-5/16" Bulldog coupler housing - 6k | 1 |
| 24 | 10638M | Marine 2-5/16" Bulldog coupler housing-6k | 1 |
| 24 | 10638-1 | 2-5/16" Bulldog coupler housing - 7k | 1 |
| 24 | 10638-1M | Marine 2-5/16" Bulldog coupler housing-7k | 1 |
| 25 | 10632 | 3" Tow ring housing - 6k | 1 |
| 25 | 10732 | 3" Tow ring housing - 7k | 1 |
| 27 | 1808-2 | Link - 12.5k | 4 |
| 28 | 1829-2 | Shaft - 12.5k | 4 |
| 29 | 10701-2 | 50° Weld on A-frame mount-12.5k (not shown) | 1 |
| 29 | 10701-2M | Marine 50° weld on A-frame mount - 12.5k (not shown) | 1 |
| 30 | 10703-1 | 3" Wide bolt on saddle mount - 12.5k | 1 |
| 30 | 10703-1M | Marine 3" wide bolt on saddle mount - 12.5k | 1 |
| 31 | 10738-1 | 2-5/16" Bulldog coupler housing - 12.5k | 1 |
| 31 | 10738-1M | Marine 2-5/16" Bulldog coupler housing-12.5k | 1 |
| 32 | 10733 | 3" Tow ring housing - 12.5k | 1 |
| 33 | 1833 | Connector | 1 |
| 34 | 1834 | Connector bolt | 1 |
| 35 | 1760 | Copper gasket 1/2" I.D. | 1 |
| 36 | 1761 | Copper gasket 9/16" I.D. | 1 |
| 37 | 2030 | Push rod bolt | 1 |
| 38 | 2031 | Push rod nut | 1 |