

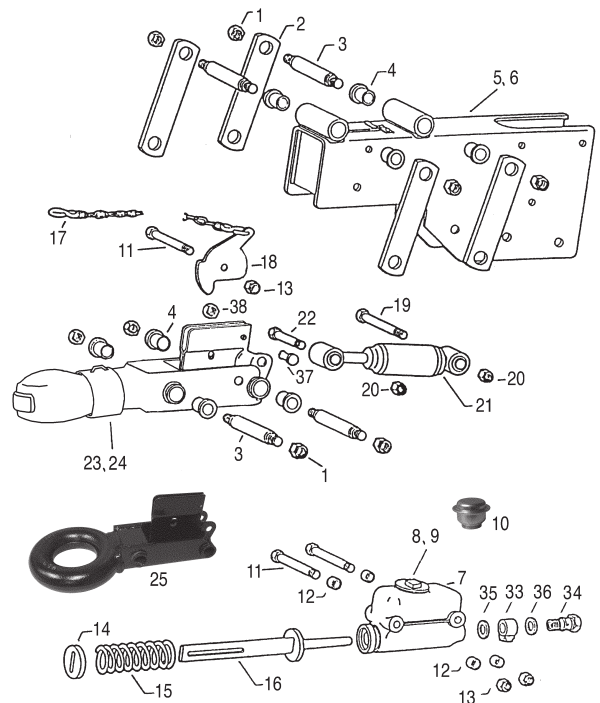
# Hydro-Act Actuator

## Model TA6 - TA7

### 5,000 - 7,000 lb



TA6-4B



Ref. No.	Part No.	Description	Qty. Req.
1	<b>LN12G8ZF</b>	1/2" - 20 Lock nut	8
2	<b>1808-1</b>	Link - 5k, 6k, 7k	4
3	<b>1829</b>	Shaft - 5k, 6k, 7k	4
4	<b>1745</b>	Nylon bearing	8
5	<b>10601-1</b>	50° Weld on A-frame mount-6k (not shown)	1
5	<b>10601-1M</b>	Marine 50° weld on A-frame mount -6k (not shown)	1
5	<b>10601-2</b>	50° Weld on A-frame mount-7k (not shown)	1
5	<b>10601-2M</b>	Marine 50° weld on A-frame mount -7k (not shown)	1
6	<b>10603</b>	3" Wide bolt on saddle mount - 6k	1
6	<b>10603M</b>	Marine 3" wide bolt on saddle mount - 6k	1
6	<b>10603-1</b>	3" Wide bolt on saddle mount - 7k	1
6	<b>10603-1M</b>	Marine 3" wide bolt on saddle mount - 7k	1
7	<b>10614</b>	Master cylinder complete w/fittings & boot	1
7	<b>10614-M</b>	Marine master cylinder w/fittings & boot	1
8	<b>F6018</b>	Filler cap gasket	1
9	<b>16500</b>	Metal filler cap	1
10	<b>850279</b>	Special metal filler cap	1
11	<b>B384G5ZF</b>	3/8"-24x4" Hex head bolt gr.5	3
12	<b>HN716G5ZF</b>	7/16"-20 Spacer hex nut	4
13	<b>LN38G5ZF</b>	3/8"-24 Lock nut	3
14	<b>1840</b>	Push rod washer	1
15	<b>1828</b>	Push rod spring	1
16	<b>10607</b>	Push rod	1
17	<b>10511-1</b>	Breakaway chain with S-hooks	1
18	<b>1804</b>	Breakaway lever ONLY	1
19	<b>B7164G5ZF</b>	7/16"-20x4" Hex head bolt gr.5	1
20	<b>NLN716G5ZF</b>	7/16"-20 Nylon lock nut	2

Ref. No.	Part No.	Description	Qty. Req.
21	<b>1844-2</b>	Damper shock	1
22	<b>B7162G5ZF</b>	7/16"-20x2" Hex head bolt gr.5	1
23	<b>10612</b>	2" Bulldog coupler housing - 5k	1
23	<b>10686M</b>	Marine 2" Bulldog coupler housing - 5k	1
23	<b>10682-1</b>	2" Bulldog coupler housing - 7k	1
23	<b>10682-1M</b>	Marine 2" Bulldog coupler housing - 7k	1
24	<b>10638</b>	2-5/16" Bulldog coupler housing - 6k	1
24	<b>10638M</b>	Marine 2-5/16" Bulldog coupler housing-6k	1
24	<b>10638-1</b>	2-5/16" Bulldog coupler housing - 7k	1
24	<b>10638-1M</b>	Marine 2-5/16" Bulldog coupler housing-7k	1
25	<b>10632</b>	3" Tow ring housing - 6k	1
25	<b>10732</b>	3" Tow ring housing - 7k	1
27	<b>1808-2</b>	Link - 12.5k	4
28	<b>1829-2</b>	Shaft - 12.5k	4
29	<b>10701-2</b>	50° Weld on A-frame mount-12.5k (not shown)	1
29	<b>10701-2M</b>	Marine 50° weld on A-frame mount - 12.5k (not shown)	1
30	<b>10703-1</b>	3" Wide bolt on saddle mount - 12.5k	1
30	<b>10703-1M</b>	Marine 3" wide bolt on saddle mount - 12.5k	1
31	<b>10738-1</b>	2-5/16" Bulldog coupler housing - 12.5k	1
31	<b>10738-1M</b>	Marine 2-5/16" Bulldog coupler housing-12.5k	1
32	<b>10733</b>	3" Tow ring housing - 12.5k	1
33	<b>1833</b>	Connector	1
34	<b>1834</b>	Connector bolt	1
35	<b>1760</b>	Copper gasket 1/2" I.D.	1
36	<b>1761</b>	Copper gasket 9/16" I.D.	1
37	<b>2030</b>	Push rod bolt	1
38	<b>2031</b>	Push rod nut	1