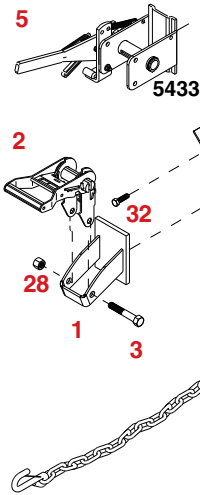


CG850T76 & CG850TDB76 PARTS BREAKDOWN

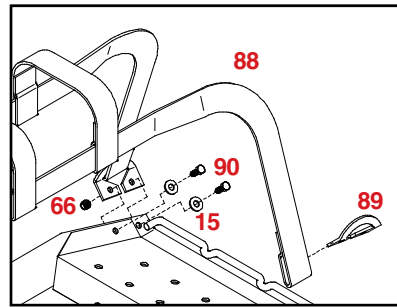
REF. NO.	PART NO.	QTY.	DESCRIPTION
-	5422	2	Tie Down Ratchet Kit
1.	03383X	1	Mounting Bracket (plated)
2.	03423X	1	Ratchet
3.	B1235G5ZC	1	1/2"-13UNC x 3-1/2" Hex Head Bolt (Gr.5)
28.	LN12G5ZC	1	1/2"-13UNC Nylon Insert Locknut

4.	5432	1	Left Lever Ratchet
5.	5433	1	Right Lever Ratchet
6.	NLN716G2ZC	6	7/16"-14 UNC Nylon Insert Locknut
-	NLN716G2ZC	4	Brake Units
7.	03574X	1	Latch Handle (plated)
8.	02243X	1	Black Vinyl Hand Grip
9.	03381X	1	Latch Catch (plated)
10.	03382X	1	Handle Bushing (plated)
11.	FW12Z	4	1/2" Flatwasher
12.	B12125G5ZC	1	1/2"-13UNC x 1-1/4" Hex Head Bolt (Gr.5)
13.	02189X	1	Hand Grip
14.	05444X	1	3/8"-16 UNC x 3/4" Epoxied Hex Bolt (Gr. 5)
15.	FW38Z	5	3/8" Flatwasher
16.	05449X	1	Spacer Bushing - Stainless Steel
17.	03434X	1	5/16"-18 UNC x 5-1/4" Eye Bolt
18.	03433X	1	Latch Cable
19.	03435X	1	Roll Pin (5/16" x 2-1/4")
20.	03499X	1	Latch Spring - Stainless Steel
21.	HN516G2ZC	1	5/16"-18 UNC Hex Nut
22.	B51625G5ZC	1	5/16"-18 UNC x 2-1/2 Hex Head Bolt (Gr. 5)
23.	NLN516G2ZC	1	5/16"-18 UNC Nylon Insert Locknut
24.	FW516Z	1	5/16" Flatwasher
25.	03769X	1	Tongue (galvanized)
26.	H3BOS	1	Coupler (Cast)
27.	B1245G5ZC	4	1/2"-13UNC x 4-1/2" Hex Head Bolt (Gr.5)
28.	NLN12G2ZC	10	1/2"-13UNC Nylon Insert Locknut
29.	02288-95	1	Lift Handle (units without brakes) (plated)
-	04017X	1	Lift Handle (units with brakes) (plated)
30.	03503X	2	5/8" -11UNC x 1-1/4" Hex Epoxied Bolt(Gr.5)
31.	5841	2	24" Safety Cable with Hardware
-	5842	2	36" Safety Cable with Hardware (Brake Unit)
32.	B716125G5ZC	4	7/16"-14UNC x 1-1/4" Hex Head Bolt (Gr.5)
33.	11590X	1	Wiring Harness (Front Half)
34.	11591X	1	Wiring Harness (Rear Half)
35.	03394X	2	Bracing Strut (8'-6" wide unit) (galvanized)
36.	B1215G5ZC	2	1/2"-13UNC x 1-1/2" Hex Head Bolt (Gr.5)
37.	02579X	2	Pivot Bushing (plated)
38.	07166X	1	Tilt Bed Spring
39.	B5845G5ZC	1	5/8"-11UNC x 4-1/2" Hex Head Bolt (Gr.5)
40.	NLN58G2ZC	1	5/8"-11UNC Nylon Insert Locknut
42.	01863X	3	5/8" Grommet
43.	B71615G5ZC	2	7/16" -14UNC x 1.5" Hex Head Bolt (Gr. 5)
44.	12068X	1	Undercarriage (galvanized)
45.	12986-30	1	Cartridge Insert Left
46.	12987-30	1	Cartridge Insert Right
47.	03500X	4	1/2"-13UNC x 1" Socket Hd. Set Screw
51.	04369X	2	Hub (5 on 115mm Bolt Circle)
52.	02377X	8	7/16"-20UNF x 1-1/2" Epoxied Hex Bolt (Gr.8)
-	02377X	10	Brake Units
53.	04366X	2	14" x 5.5" Rim (5 on 115mm Bolt Circle)
54.	04826X	2	ST205/75R 14" x "C" Radial Tire
-	CTD4ST	-	Replacement Wheel/Tire
55.	02213X	10	12mm zinc Lug Nut
56.	11971	2	Nut Plate
57.	07092X	2	48" Ramp (galvanized)
58.	B716075G8ZF	20	7/16"-20UNF x 3/4" Hex Head Bolt (Gr.8)
59.	LN716G5ZF	20	7/16"-20UNF Hex Punch Locknut
60.	03377X	2	Wear plate (four hole)
61.	07082X	8	1/4"-20 UNC x 1" Flat Hd Torx Cap Screw
63.	04424X	2	Back-Up Plate for Fender (plated)
64.	B3815G5ZC	4	3/8"-16UNC x 1" Hex Head Bolt (Gr.5)
65.	03526X	2	3/8"-16UNC x 1-1/2" Flat Hex Hd Socket Bolt
66.	NLN38G8ZC	6	3/8"-16UNC Nylon Insert Locknut
67.	14124	1	Right Poly Fender Grey
68.	14123	1	Left Poly Fender Grey
70.	04425X	6	Wire Retaining Clip
71.	426-18	2	Rubber Mounting Grommet for light
72.	11209	2	Sealed "LED" Round Tail Light
73.	11206	2	Wire Harness for LED light
74.	12049X	1	Top Platform (galvanized)
75.	B12225G5ZC	1	1/2"-13UNC x 2-1/4" Hex Hd. Bolt (Gr.5)
76.	02578X	1	Metal Pivot Washer (plated)
77.	00698X	1	Top Pivot Bushing (plated)
78.	03370X	1	UHMW Pivot Washer

REF. NO.	PART NO.	QTY.	DESCRIPTION
79.	B347G5ZC	1	3/4"-10UNC x 7" Hex Hd. Bolt (Gr.5)
80.	FW34Z	1	3/4" Flatwasher
81.	NLN34G2ZC	1	3/4"-10UNC Nylon Insert Locknut
82.	02383X	2	36" Safety Chain with hook
-	04194X	-	7/16" "S" Hook for safety chains
83.	03528X	2	Removable 3-point Strap w/Buckle
-	02729X	2	Buckle only (plated)
84.	FW716Z	12	7/16" Flatwasher
85.	07167X	1	Spring Sleeve (plated)
86.	HN716G8ZF	2	7/16"-20UNF Hex Nut (Gr.8) (Brake Unit)
87.	12229-95	2	Safety Cable Mounting Washer
91.	03379X	1	Latch Block
92.	12925	1	Coupler (eZ-Latch)
93.	02917X	10	Replacement 12mm x 1.5" Stud Bolt
-	04508X	2	Amber Fender Reflector (not shown)
-	04804X	2	Red Fender Reflector (not shown)
-	04944	2	Strain Relief (not shown)
-	5452	1	Tilt Bed Spring and Sleeve Assembly
38.	07166X	1	Tilt Bed Spring
85.	07167X	1	Spring Sleeve (plated)



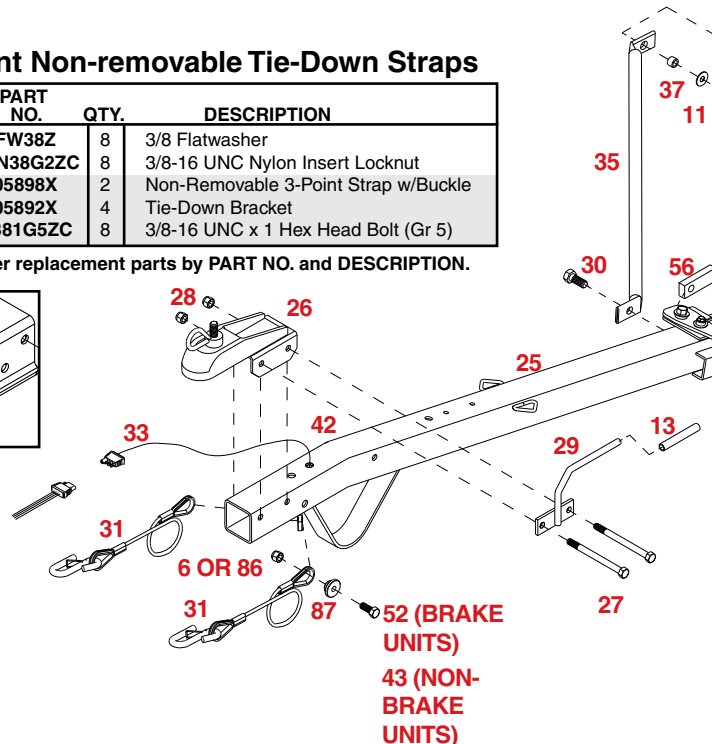
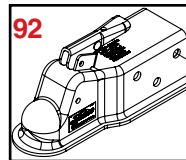
Please order replacement parts by PART NO. and DESCRIPTION.



3-Point Non-removable Tie-Down Straps

REF. NO.	PART NO.	QTY.	DESCRIPTION
15.	FW38Z	8	3/8 Flatwasher
66.	NLN38G2ZC	8	3/8-16 UNC Nylon Insert Locknut
88.	05898X	2	Non-Removable 3-Point Strap w/Buckle
89.	05892X	4	Tie-Down Bracket
90.	B381G5ZC	8	3/8-16 UNC x 1 Hex Head Bolt (Gr 5)

Please order replacement parts by PART NO. and DESCRIPTION.



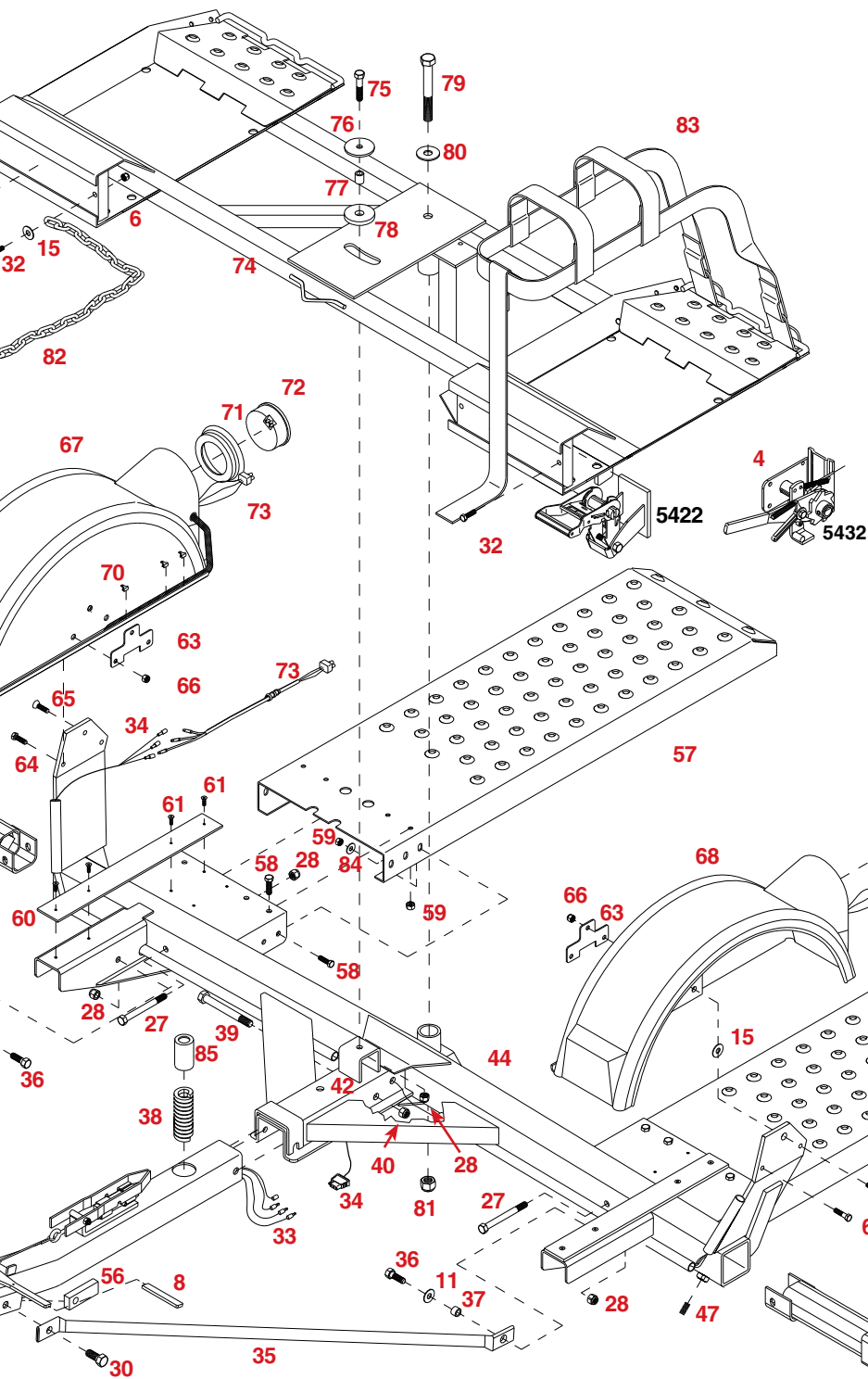
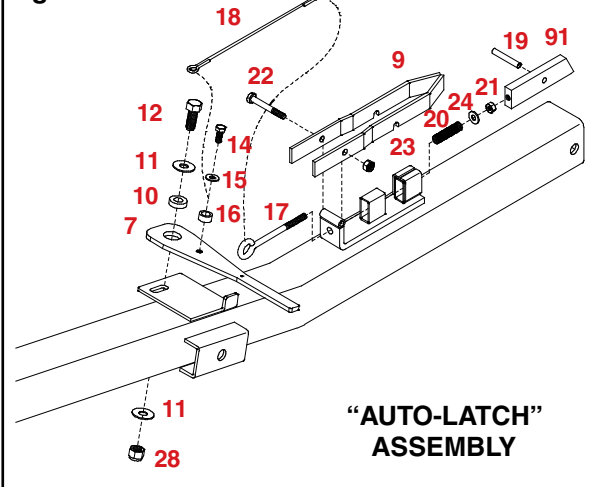


Figure A



REF. NO.	PART NO.	QTY.	DESCRIPTION
-	5511	-	Auto Latch Rebuilt Kit
91.	03379X	1	Latch Block (plated)
17.	03434X	1	5/16"-18 UNC x 5-1/4" Eye Bolt
18.	03433X	1	Latch Cable
19.	03435X	1	Roll Pin (5/16" x 2-1/4")
20.	03499X	1	Latch Spring -Stainless Steel
21.	HN516G2ZC	1	5/16"-18 UNC Hex Nut
24.	FW516Z	1	5/16" Flatwasher

Please order replacement parts by PART NO. and DESCRIPTION.

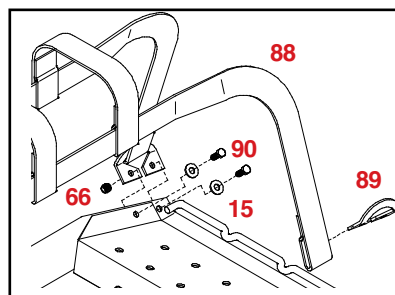
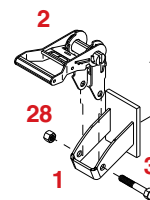
WHITE	Ground	
BROWN	Tail lights	
YELLOW	Left Turn and Stop	Red on Fender
GREEN	Right Turn and Stop	Red on Fender

CP85076 PARTS BREAKDOWN

REF. NO.	PART NO.	QTY.	DESCRIPTION
-	5422	2	Tie Down Ratchet Kit
1.	03383X	1	Mounting Bracket (plated)
2.	03423X	1	Ratchet
3.	B1235G5ZC	1	1/2" - 13UNC x 3-1/2" Hex Head Bolt (Gr.5)
28.	LN12G5ZC	1	1/2" - 13UNC Nylon Insert Locknut
4.	5432	1	Left Lever Ratchet
5.	5433	1	Right Lever Ratchet
6.	NLN716G2ZC	6	7/16" - 14UNC Nylon Insert Locknut
7.	03574X	1	Latch Handle (plated)
8.	02243X	1	Black Vinyl Hand Grip
9.	03381X	1	Latch Catch (plated)
10.	03382X	1	Handle Bushing (plated)
11.	FW12Z	4	1/2" Flatwasher
12.	B12125G5ZC	1	1/2"-13UNC x 1-1/4" Hex Head Bolt (Gr.5)
13.	02189X	1	Hand Grip
14.	05444X	1	3/8"-16 UNC x 3/4" Epoxied Hex Bolt (Gr. 5)
15.	FW38Z	21	3/8" Flatwasher
16.	05449X	1	Spacer Bushing - Stainless Steel
17.	03434X	1	5/16" - 18UNC x 5-1/4" Eye Bolt
18.	03433X	1	Latch Cable
19.	03435X	1	Roll Pin (5/16" x 2-1/4")
20.	03499X	1	Latch Spring - Stainless Steel
21.	HN516G2ZC	1	5/16" - 18UNC Hex Nut
22.	B51625G2ZC	1	5/16" - 18UNC x 2-1/2" Hex Head Bolt (Gr.5)
23.	NLN516G2ZC	1	5/16" - 18UNC Nylon Insert Locknut
24.	FW516Z	1	5/16" Flatwasher
25.	12696-80	1	Tongue (painted)
26.	H3BOS	1	Coupler (Cast)
27.	B1245G5ZC	4	1/2"-13UNC x 4-1/2" Hex Head Bolt (Gr.5)
28.	NLN12G2ZC	10	1/2"-13UNC Nylon Insert Locknut
29.	02288-95	1	Lift Handle (plated)
30.	03503X	2	5/8"-11UNC x 1-1/4" Hex Hd. Epoxied Bolt(Gr.5)
31.	5841	2	24" Safety Cable with Hardware
32.	B716125G5ZC	4	7/16"-14UNC x 1-1/4" Hex Head Bolt (Gr.5)
33.	11590X	1	Wiring Harness (Front Half)
34.	11591X	1	Wiring Harness (Rear Half)
35.	03394X	2	Bracing Strut (8'-3" wide unit) (galvanized)
36.	B1215G5ZC	2	1/2"-13UNC x 1-1/2" Hex Head Bolt (Gr.5)
37.	02579X	2	Pivot Bushing (plated)
38.	07166X	1	Tilt Bed Spring
39.	B5845G5ZC	1	5/8"-11UNC x 4-1/2" Hex Head Bolt (Gr.5)
40.	NLN58G2ZC	1	5/8"-11UNC Nylon Insert Locknut
42.	01863X	3	5/8" Grommet
43.	B71615G5ZC	2	7/16" x 14UNC x 1.5" Hex Head Bolt
44.	12068-80	1	Undercarriage
45.	11204-30	1	Right Axle
46.	11203-30	1	Left Axle
47.	03500X	4	1/2"-13UNC x 1" Socket Hd. Set Screw
49.	03388-80	2	Rear Tire Stop
51.	04369X	2	Hub (5 on 115mm Bolt Circle)
52.	02210X	8	7/16"-20UNF x 1-1/4" Epoxied Hex Bolt (Gr.8)
53.	04366X	2	14" x 5.5" Rim (5 on 115mm Bolt Circle)
54.	04826X	2	ST205/75R 14" x "C" Radial Tire
-	CTD4ST	-	14" Replacement Wheel/Tire
55.	02213X	10	12mm zinc Lug Nut
56.	11971	2	Nut Plate
57.	07092X	2	48" Ramp (galvanized)
58.	B716075G8ZF	20	7/16"-20UNF x 3/4" Hex Head Bolt (Gr.8)
59.	LN716G5ZF	28	7/16"-20UNF Hex Punch Locknut
60.	03377X	2	Wear plate (four hole)
61.	07082X	8	1/4"-20 UNC x 1" Flat Hd Torx Cap Screw
63.	04424X	2	Back-Up Plate for Fender (plated)
64.	B3815G5ZC	4	3/8"-16UNC x 1-1/2" Hex Head Bolt (Gr.5)
65.	03526X	2	3/8"-16UNC x 1-1/2" Flat Hex Head Socket Bolt
66.	NLN38G8ZC	14	3/8"-16UNC Nylon Insert Locknut
67.	03771X	1	Right Poly Fender Black
68.	03372X	1	Left Poly Fender Black
70.	04425X	6	Wire Retaining Clip
71.	426-18	2	Rubber Mounting Grommet for Light
72.	11209	2	Sealed "LED" Round Tail Light
73.	11206	2	Harness Wire Fender
74.	12085-80	1	Top Platform (painted)
75.	B12225G5ZC	1	1/2" - 13UNC x 2-1/4" Hex Hd. Bolt (Gr.5)
76.	02578X	1	Metal Pivot Washer (plated)
77.	00698X	1	Top Pivot Bushing (plated)
78.	03370X	1	UHMW Pivot Washer
79.	B347G5ZC	1	3/4" - 10UNC x 7" Hex Hd. Bolt (Gr.5)
80.	FW34Z	1	3/4" Flatwasher
81.	NLN34G2ZC	1	3/4" - 10NC Nylon Insert Locknut
82.	02383X	2	36" Safety Chain with Hook
-	04194X	2	7/16" "S" Hook for Safety Chains
83.	03528X	2	Removable 3-Point Strap w/Buckle

REF. NO.	PART NO.	QTY.	DESCRIPTION
48.	02729X	2	Buckle Only (plated)
84.	FW716Z	12	7/16" Flatwasher
85.	07167X	1	Spring Sleeve (plated)
87.	12229-95	2	Cable Mounting Washer
90.	B381G5ZC	8	3/8" - 16UNC x 1" Hex Bolt (Gr.5)
91.	B381G5ZC	1	Latch Block
92.	12925	1	Coupler (eZ-Latch)
93.	02917X	10	Replacement 12mm x 1.5 Stud Bolt
-	04508X	2	Amber Fender Reflector (not shown)
-	04804X	2	Red Fender Reflector (not shown)
-	04944	2	Strain Relief (not shown)
-	5452	1	Tilt Bed Spring & Sleeve Assembly
38.	07166X	1	Tilt Bed Spring
85.	07167X	1	Spring Sleeve (plated)

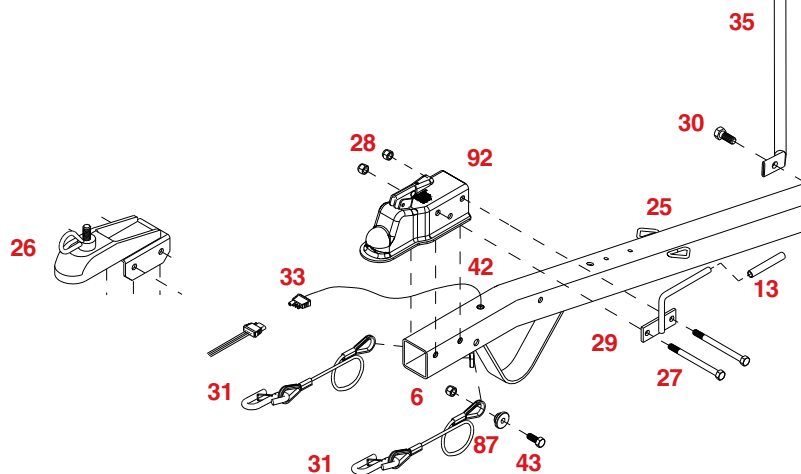
Please order replacement parts by PART NO. and DESCRIPTION.



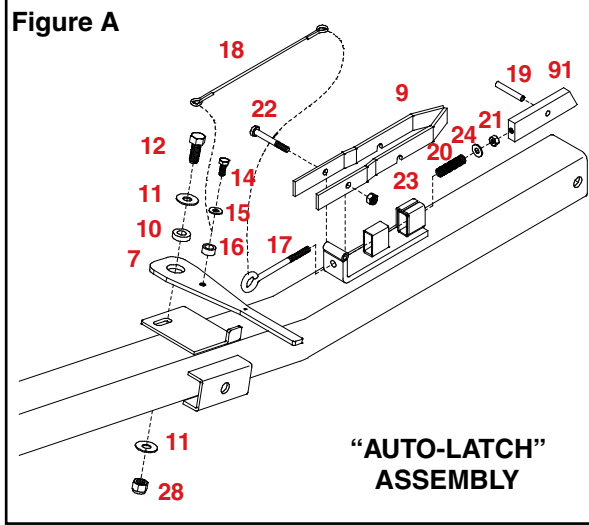
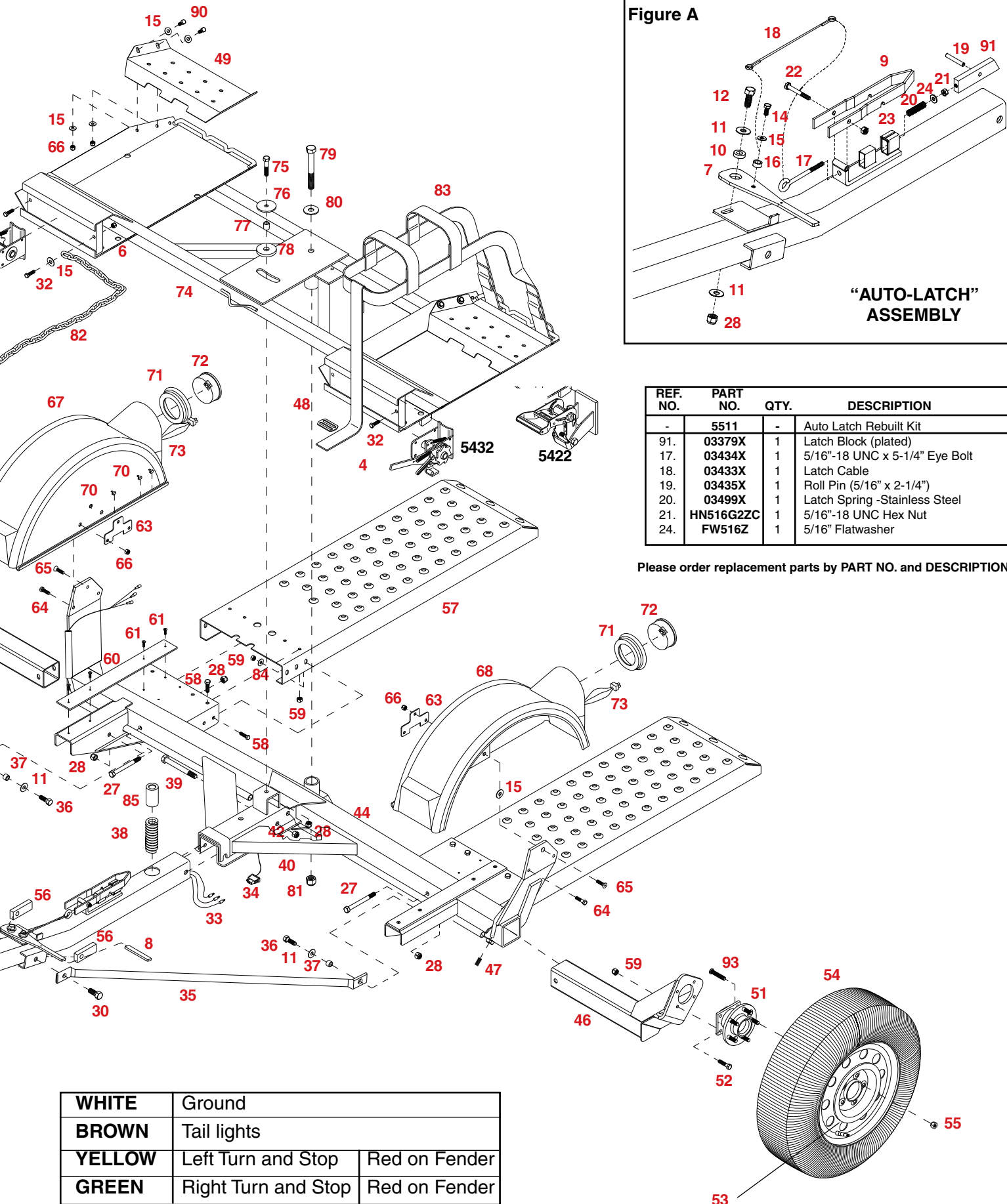
3-Point Non-removable Tie-Down Straps

REF. NO.	PART NO.	QTY.	DESCRIPTION
15.	FW38Z	8	3/8 Flatwasher
66.	NLN38G2ZC	8	3/8-16 UNC Nylon Insert Locknut
88.	05898X	2	Non-Removable 3-Point Strap w/Buckle
89.	05892X	4	Tie-Down Bracket
90.	B381G5ZC	8	3/8-16 UNC x 1 Hex Head Bolt (Gr 5)

Please order replacement parts by PART NO. and DESCRIPTION.



MODEL CP85076



REF. NO.	PART NO.	QTY.	DESCRIPTION
-	5511	-	Auto Latch Rebuilt Kit
91.	03379X	1	Latch Block (plated)
17.	03434X	1	5/16"-18 UNC x 5-1/4" Eye Bolt
18.	03433X	1	Latch Cable
19.	03435X	1	Roll Pin (5/16" x 2-1/4")
20.	03499X	1	Latch Spring -Stainless Steel
21.	HN516G2ZC	1	5/16"-18 UNC Hex Nut
24.	FW516Z	1	5/16" Flatwasher

Please order replacement parts by PART NO. and DESCRIPTION.

WHITE	Ground	
BROWN	Tail lights	
YELLOW	Left Turn and Stop	Red on Fender
GREEN	Right Turn and Stop	Red on Fender