



**CROFT TRAILER SUPPLY'S
AUTO TRANSPORT TRAILER**



“Finally, a long lasting, rental tough auto transport trailer for vehicles of all drive types.”

- Rental Professional



INTRODUCING THE AT7000C AUTO TRANSPORT TRAILER

Designed specifically for the rental industry, the AT7000C has the features to extend your ROI to the max. Integrated tie downs, galvanized steel finish, and self-cleaning brake pads are just a few of the specifications that makes loading and unloading quick, easy, and safe for customers while boosting your bottom line.

TRAILER SPECS

GVWR - 7000 lb
Trailer Weight - 2000 lb
Payload - 5000 lb
Overall Width - 102"
Overall Length - 232"
Overall Height - 30.5"
Bed Height - 21"
Inside Bed Width - 80.5"
(Opening Between Flooring Boards - 39")

RAMP

Ramp Length (Extended) - 108"
Ramp Weight - 115 lb
Ramp Lift Weight (Extended) - 57 lb
Ramp Angle (Loading Position) - 8°



COMPLETE YOUR FLEET

The Croft Auto Transport trailer is the ideal trailer for customers looking to move four-wheel and all-wheel drive vehicles.



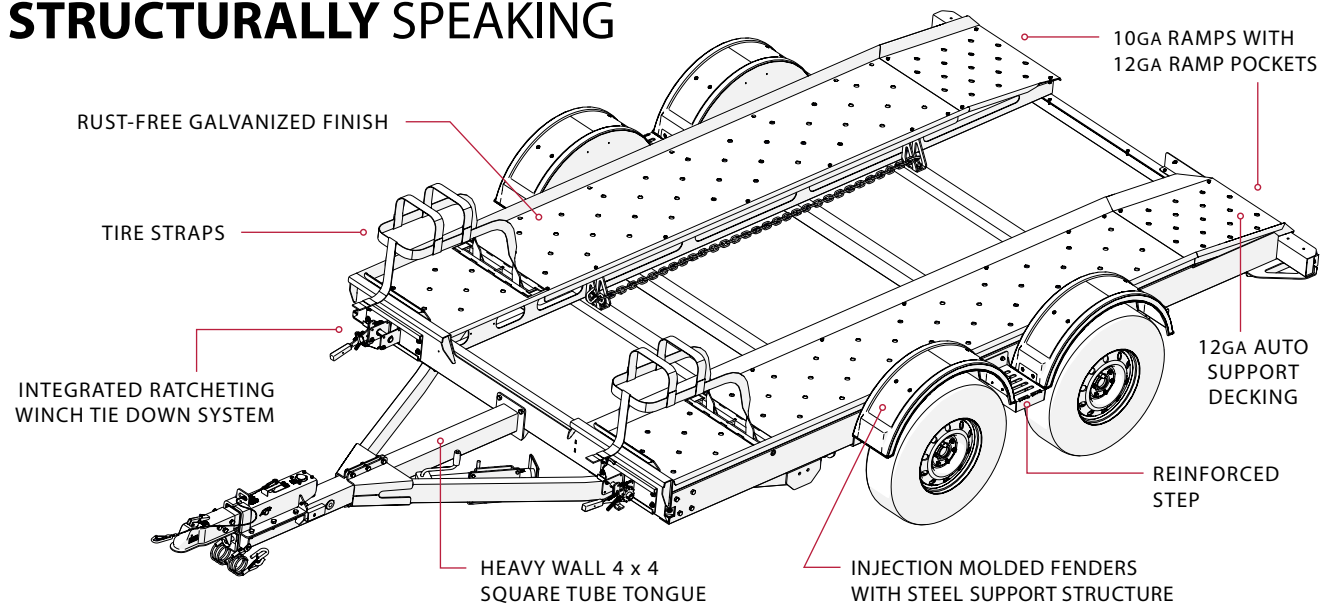
CROFT AUTOMOTIVE TRANSPORTER - AT7000C

- Galvanized steel for long lasting, rust free finish
- Heavy wall 4 x 4 square tube tongue
- 10ga Main frame and 7ga front sill
- 12ga Formed & punched auto support decking
- Heavy duty 10ga formed loading ramps with gussets
- 2" eZ-Latch zinc plated Demco coupler with jack knife crumple zone
- (2) Coiled safety cables
- Breakaway designed, zinc plated side wind swivel jack
- Torsion axles provide a smooth, safe ride (Independent suspension)
- Sealed spindle/hub combination with Hub Alert decal for early heat detection
- All-wheel hydraulic surge actuated disc brakes
- Groove cut self-cleaning ceramic brake pads
- Stainless steel piston calipers with e-coat finish
- Vented 10.25" rotors
- 15" x 6" White wheels with 15"-ST225/75R15 radial tires
- (4) Injection molded high density polyethylene fenders with metal support structure
- Integrated ratcheting winch tie downs with 3-point 8,700 lb polyester straps
- (2) 60" Towed vehicle tie down safety chains
- Sealed rubber mounted LED stop, tail, turn and marker lights



Extend the life of your trailer with replacement parts & accessories at www.CroftTrailer.com.

STRUCTURALLY SPEAKING



RENTAL TOUGH PARTS

The AT7000C comes standard with Demco eZ-Latch couplers and hydraulic brake actuators. For over 50 years Demco has been committed to quality, and their products have been proven to meet the rigorous demands of rental.

A PERFECT PAIR

To keep up with the demand of your customers' automotive towing needs, the new Croft Auto Transport trailer pairs nicely with the Croft Tow Dolly. Our tow dolly works well for towing front-wheel drive vehicles and features a rust-free galvanized finish just like the AT7000C. Both of these USA made products are made rental tough.

FREE SHIPPING on CROFT TOW DOLLIES*

*Exclusions apply, free shipping applies to commercial addresses in the 48 contiguous states.

DON'T FORGET THE ACCESSORIES



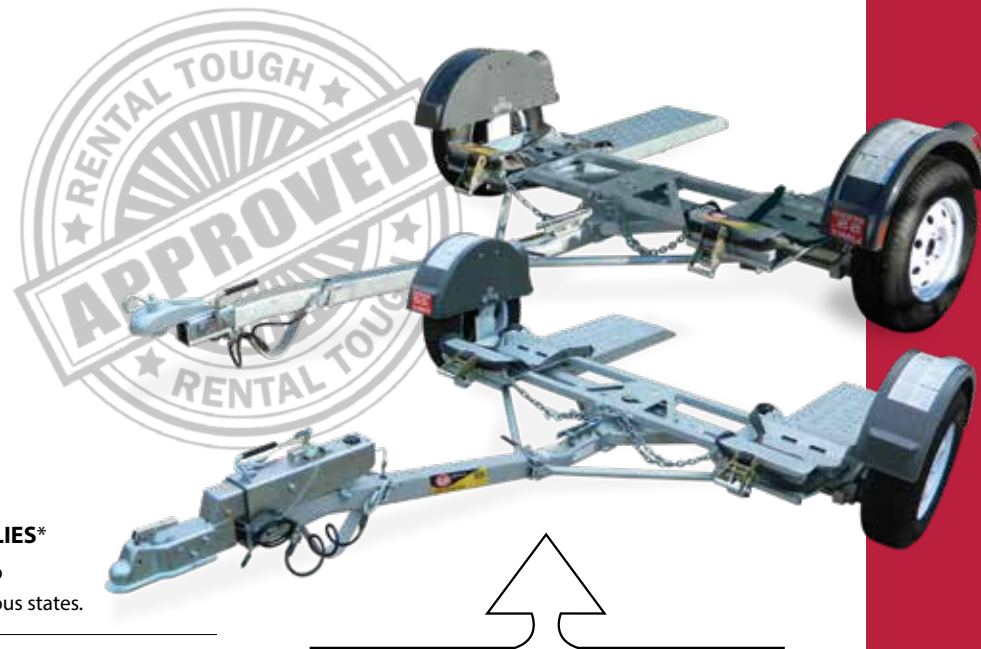
STRAPS/TIE DOWNS



WHEEL CHOCKS



WINCH/WINCH ACCESSORIES



Long life, no-lube hubs and a rust-free galvanized finish helps make Croft tow dollies one of the lowest maintenance & highest return on investment pieces of equipment in your rental fleet.



4 FULL SERVICE KC METRO LOCATIONS

970 N Rogers Rd
Olathe, Kansas
(913) 780-1818

2401 S 291 Hwy
Lee's Summit, Missouri
(816) 525-9355

632 S Hwy 169
Smithville, Missouri
(816) 532-8900

4933 Truman Rd
Kansas City, Missouri
(816) 483-7274



www.CroftTrailer.com | (800) 426-8159