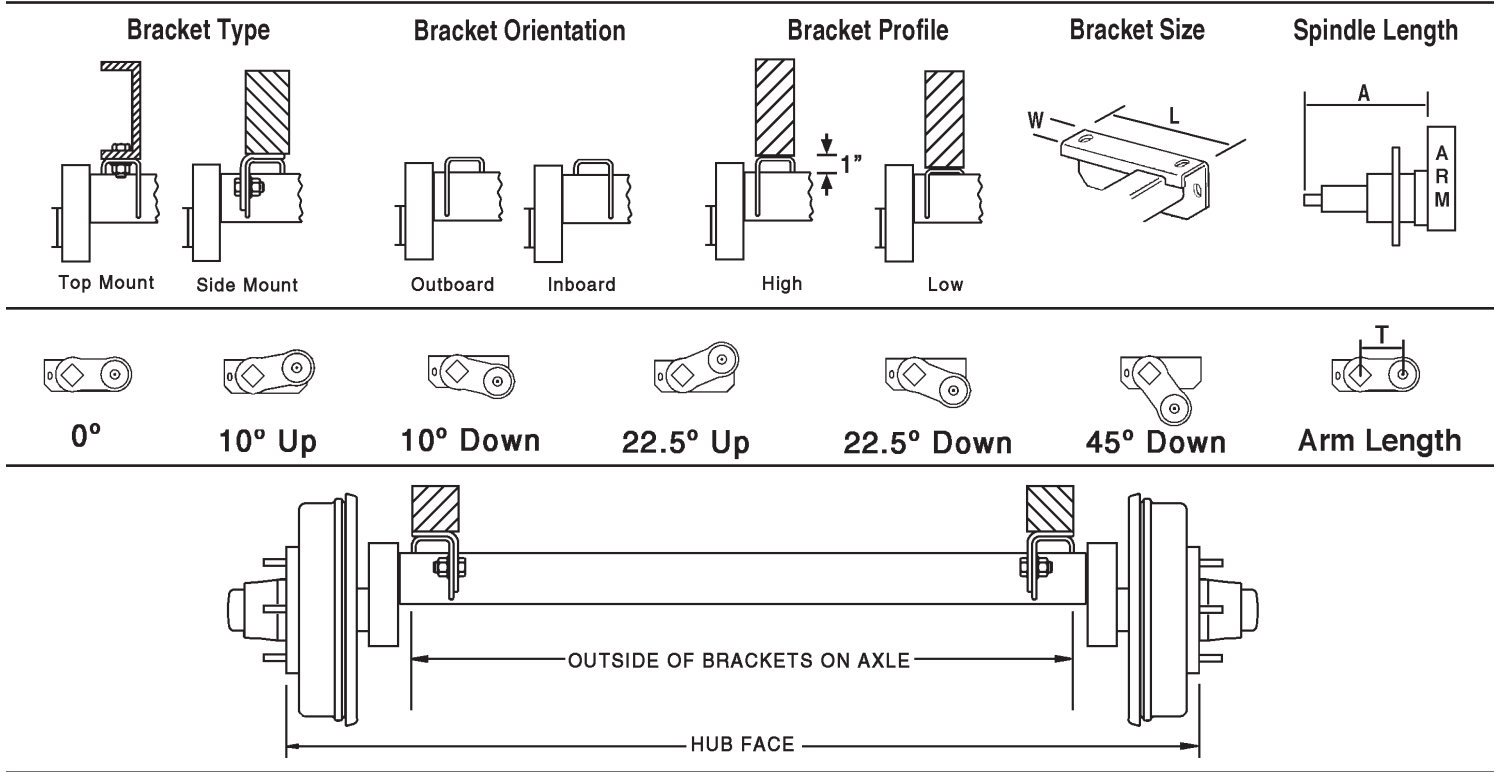




TORFLEX AXLE Order Form

Date: _____

- Torflex Series (circle one): **#8** (.6k-1.1k) **#9** (1k-2.2k) **#10** (2.5k-3.5k) **#11** (3.6k-6k) **#12** (5.5k-7k)
#12V (5.5k-7.2k) **#13** (8k) **#13G** (9k-10k) **#13D** (10k)
- Rubber Content (weight capacity you desire): _____
- Brake Size: _____
- Beam Only or Idler or Brakes (circle one)
- Flanges: Yes _____ No _____ # of Holes _____
- Brake Type (circle one): Electric (Standard or Nev-R-Adjust) or Hydraulic (Uni-Servo, Duo-Servo, Free Backing or Disc)
- Bolt Pattern of Hub: _____ Inner Bearing: _____ Outer Bearing: _____
- Stud Size (circle one): 1/2" - 9/16" - 5/8"; if Wheel Nuts are 5/8" (circle one) Cone or Flanged Nuts
- Spindle Type (circle one): Grease / Oil / EZ Lube / Nev-R-Lube / Removable
- Spindle Length (A): _____
- Side Mount Brackets Needed: Yes _____ No _____ **Note:** side mount bracket is welded to bottom of frame then axle is bolted on.
- Hub Face Measurement : _____
- Outside Bracket Measurement: _____
- Bracket Orientation (circle one): Inboard / Outboard
- Axle Bracket Size (L): _____ (W): _____
- Length of Trailing Arm (T): _____
- Bracket Profile (circle one): Low / High / 3"
- Starting Angle: _____
- Axle Tube Size: _____



These axles are special order, shipped direct to customer from the manufacturer with the customer's specifications thus making them non-returnable.

Company Name: _____ Contact Name: _____

Phone No.: _____ Fax No.: _____

Axle **will not** be ordered until all information above is provided and form signed below.

Signature: _____ Date: _____

AD 9/14-O



Croft Trailer Supply, Inc. Distribution Center

P.O. Box 300320 • Kansas City, MO 64130-0320 • 816-861-1001 • Fax 816-861-1881 • www.crofttrailer.com



TORFLEX AXLE Series Information

SERIES	8	9	10L	10	11	12	12V	13	13G	13D
Capacity	600-1,100	1,000-2,200	2,500-3,000	2,500-3,500	3,600-6,000	5,500-7,000	5,500-7,200	8,000	9,000-10,000	10,000
Bracket Length	10	10	10	10	11	12	12	13	13	13
Bracket Width	2	2	2.5	2.5	2.5	2.5	2.5	2.5	2.5	2.5
Tube Size	1.75	2.17	2.62	2.62	3.03	3.5	3.5	3.88	3.88	3.88
Standard Spindle Length	11.5"	12.5	Standard Only	Standard Only	14.5	Standard Only	17.5	17.5	Standard Only	Standard Only
Short Spindle Length	9"	11.5	N/A	N/A	13.5	N/A	16.5	16.5	N/A	N/A
Possible Profiles	Low only	Low, High 3"	Low, High 3"	Low, High 3"	Low or High	Low or High	Low or High	Low or High	High Only	High Only
Brake Size	7" x 1-1/4" Electric	7" x 1-1/4" Electric	10" x	10" x	12" x	12" x	12-1/4" x	12-1/4" x	12-1/4" x	12-1/4" x
	7" x 1-3/4" Hydraulic	7" x 1-3/4" Hydraulic	1-1/2"	2-1/4"	2"	2"	2-1/2"	3-3/8"	3-3/8"	4"
No. of Brake Flange Holes	4	4	4	4	5	5	4	4	7	7
Standard Bearing	Inner L44649	Inner L44649	Inner LM67048	Inner L68149	Inner 25580	Inner 25580	Inner 25580	Inner 25580	Inner 387A	Inner 395S
	Outer L44649	Outer L44649	Outer L44649	Outer L44649	Outer LM67048 15123	Outer 14125A	Outer 02475	Outer 02475	Outer 25580	Outer 387A
Bolt Patterns	4 on 4 5 on 4.5	4 on 4 5 on 4.5	5 on 4.5	5 on 4.5 5 on 4.75 5 on 5 5 on 5.5 6 on 5.5	6 on 5.5	8 on 6.5	8 on 6.5	8 on 6.5	8 on 6.5	8 on 6.5

BRAKE TYPES: ELECTRIC: Standard, Standard with Parking Feature or Nev-R-Adjust

HYDRAULIC: Uni-Servo, Uni-Servo with Parking Feature, Duo-Servo, Free-Backing or Disc